



# 12 STAGE ADJUSTABLE 4,000KG BALL MOUNT HITCH

Part No. MHABM-5XH D



These Instructions contain **IMPORTANT** safety information. Please read carefully.

## WARNING !

**READ and FOLLOW all instructions and safety messages before attempting to use the Mister Hitches Heavy Duty Adjustable Ball Mount Hitch**

- Inspect the ball mount for any signs of heavy rust or damage before using. If damaged DO NOT USE.
- Do not exceed the rated capacity of 4,000kg G.T.W. / 400kg T.W. - DO NOT OVERLOAD!
- Do not exceed the vehicle, tow bar or tow ball recommended towing capacities.
- Ensure you know the Caravan/Trailer's actual G.T.W. & T.W. (ball tongue weight) before attempting to tow. Note: the weights noted on your trailer's VIN plate are not your actual weight.
- Do not modify in any way.
- Always check the 2 x ball platform mounting bolts regularly & if necessary tighten to 189Nm.
- Do not use if the ball mount is too low to the ground and may bottom out on speed bumps etc.
- Do not use if attempting extreme off-road driving.
- Wash down after exposure to salt water.

CONFORMS TO  
AUSTRALIAN  
STANDARDS  
AS/NZS 4177.1-2004

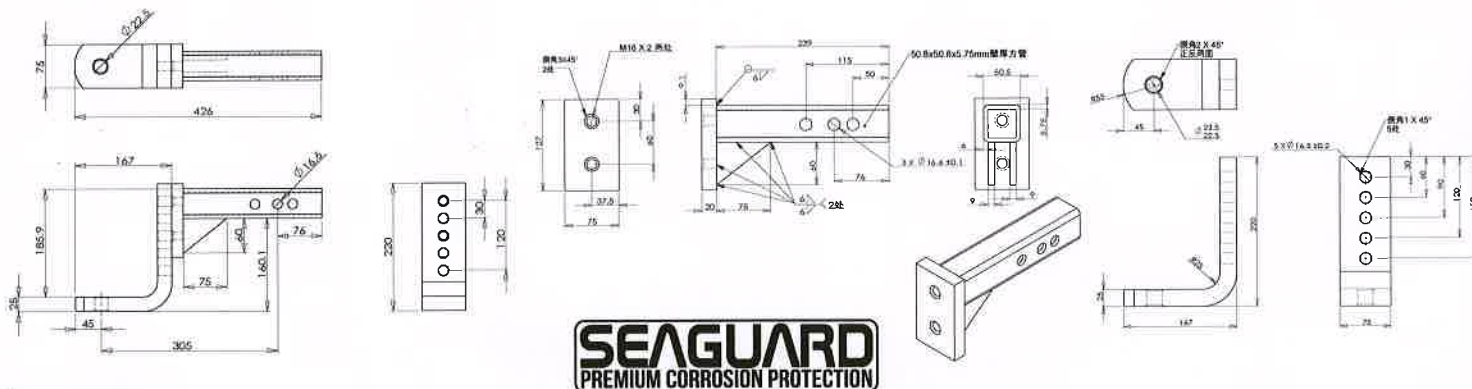


**PLEASE NOTE: THE TOWING CAPACITY OF YOUR VEHICLE IS DETERMINED BY THE LOWEST RATED COMPONENT OF YOUR TOWING SYSTEM. eg. TOWBAR, BALL MOUNT OR VEHICLES RATED TOW CAPACITY**

**This hitch is compatible with all brands of 3.5t trailer couplings. eg. McHitch, Treg or Trigg, D035 Cruisemaster, Ezy Hitch, ARK off-road coupling & many others.**  
**This hitch is also compatible with Stone Stomper & Rock Tamer stone guards.**  
**Ford Ranger short shank tow bar compatible.**

### Installation Instructions

- Insert the ball mount's 50mm x 50mm shank into the vehicles tow bar and use 1 of the 3 hitch pin holes to attain the correct length required.
- Insert the Hitch pin or Hitch pin lock into the pin hole and ensure a secure fitment.
- Line up the Ball Platform on the shank and select the appropriate mounting bolt holes which will give you the desired height.
- Insert the High Tensile bolts & washers and tighten firmly to a torque of 189Nm.
- Please Note: at times some of the protective coating and or threading debris can find itself inside the female threaded holes, this can be cleaned out by using a toothbrush or a M16 x 2.0 thread tap.
- If after installation you find excessive movement of the shank inside the tow bar receiver then you can try one of our Mister Hitches Anti-Rattle devices as shown on our website [www.misterhitches.com.au](http://www.misterhitches.com.au)



#### Important

The proper fitment of this product in accordance with the attached instructions is critical to its correct performance. Intertrade Holdings Pty Ltd has no control over, or responsibility for the fitment or installation of this product. Intertrade Holdings Pty Ltd is NOT responsible nor will be held liable for any damage resulting from its fitment or improper use. Intertrade Holdings Pty Ltd shall not be liable for any claims of any kind greater than the cost of the product. Warranty information available at [www.misterhitches.com.au](http://www.misterhitches.com.au).

**For more innovative quality towing products visit**  
**[www.misterhitches.com.au](http://www.misterhitches.com.au)**

