



Towbar Fitting Instructions
 To Suit **TOYOTA FORTUNER GUN156R SERIES**
 Part Number **QT1129L**
 Rating **3000/300 kg**

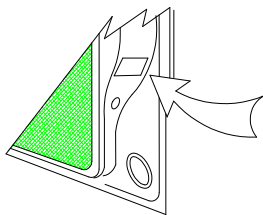
PLACE THESE INSTRUCTIONS IN THE VEHICLE'S GLOVEBOX AFTER INSTALLATION IS COMPLETED

WARNING:

1. Do not, drill, cut, weld or otherwise modify the tow bar.
2. If you are using electric welding on a motor vehicle, **always** check that the vehicle is not equipped with electronic engine or instrument management equipment. Failure to do so could **destroy** any onboard computers. If in doubt, check with the vehicle's manufacturer.
3. The high tensile fasteners supplied with this product were used to achieve the specified rating. If replacement is required ensure that fasteners of the same rating & quality are used. Contact an authorised **Trailboss** dealer if further information is required.
4. If TBM is used in inverted position tow ball may make contact with rear tailgate when lowered, which could cause damage.

General:

1. Ensure all hardware items have been included refer to assembly diagram.
2. It is recommended that the instructions are read through and completely understood before making any attempt to fit this product.
3. Be wary of any changes to vehicle designs or other accessories that may conflict with the installation of this product.
4. Before drilling ensure that the area is clear of fuel, electrical & other components.
5. All holes drilled into the body panels shall have all burrs & swarf removed then coated with a suitable rust preventative paint.
6. For vehicles that require the bumper to be cut. Ensure cut out area is in correct position on the vehicle prior to cutting the bumper.
7. The high tensile fasteners supplied with this product were used to achieve the specified rating. If replacement is required ensure that fasteners of the same rating & quality are used. Contact an authorized **Trailboss** dealer if further information is required.
8. Ensure that all hardware is fastened to torque list below check fasteners on regular basis.
9. Tow bar load rating sticker provided with this product shall be conspicuously located on inside rear end of the driver's door. **(See diagram below).**
10. Trailboss recommends that you check your tow ball to ensure that it complies with the Australian standards **AS 4177.2**.
11. **PLEASE NOTE:** It is advised to remove your lug or tbm when not actually towing so as to produce a clear view of the vehicles registration plate if obscured, and to also provide maximum available departure angle
12. Pull Pin must be fit in down position.



Place load rating sticker
inside driver's door here

FOR TRAILER TOWING PURPOSES ONLY
 For towing capacity details please refer to vehicle owner's manual or to the manufacturer. Overloading can void your warranties.

RECOMMENDED ASSEMBLY TORQUE LISTING

Diameter	Grade 8.8 Bolt
M6	9.5 Nm
M8	21.7 Nm
M10	43.4 Nm
M12	77.3Nm
M14	146 Nm
M16	189.8 Nm

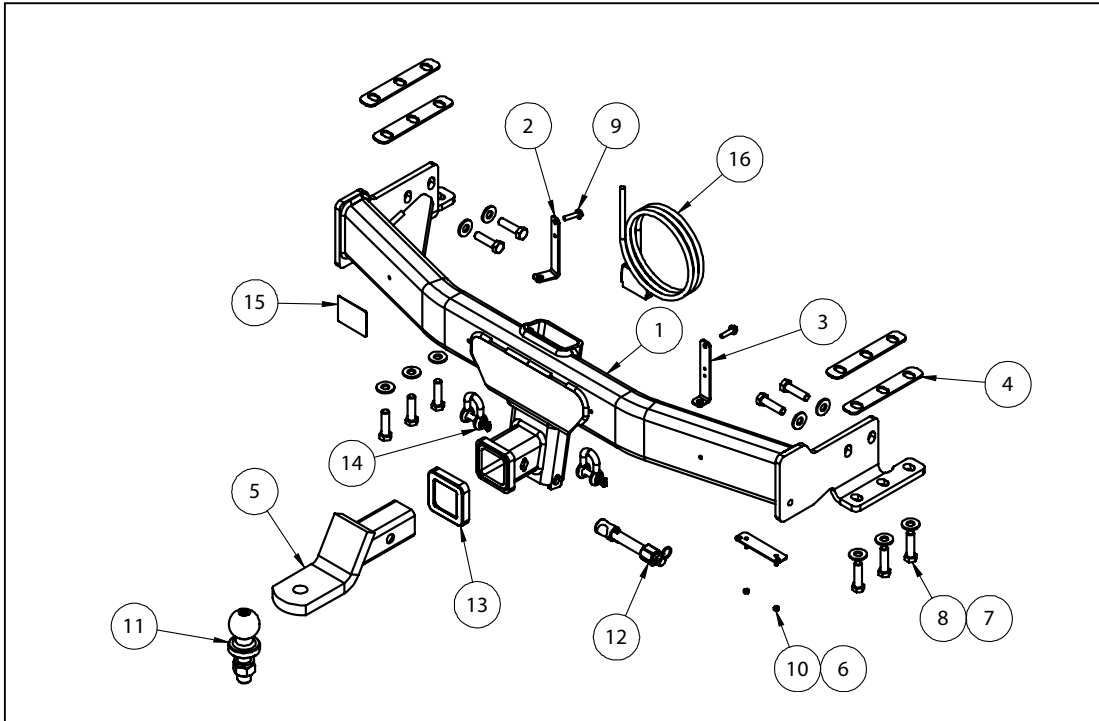
Tow bar Maintenance and Care.

Trailboss recommends that bolt torque's, as listed below, are routinely and regularly inspected and checked for correct tension. Replace any worn or defective parts.
 We recommended to remove Tow Ball Mounts (TBM's, tongues or lugs) when not being used for any considerable length of time.
 So as to avoid injury, when not towing it is suggested that the tongue, Pull Pin and R-clip are removed then stored in a safe, clean and dry place, away from excessive moisture.
 Hitch Pull Pins and spring "R" clips are regularly checked for proper installation. Replace any worn or defective parts.

TRAILBOSS

Towbar Fitting Instructions
 To Suit **TOYOTA FORTUNER GUN156R SERIES**
 Part Number **QT1129L**
 Rating **3000/300 kg**

PLACE THESE INSTRUCTIONS IN THE VEHICLE'S GLOVEBOX AFTER INSTALLATION IS COMPLETED



QTY.	DESCRIPTION	ITEM NO.
1	WELDED ASSEMBLY	1
1	BUMPER TAB 1	2
1	BUMPER TAB 2	3
4	3MM SPACER	4
1	CLASS 4 TBM	5
1	PLUG BRACKET	6
10	WASHER FLAT M12	7
10	SET SCREW M12x45x1.25P G10.9	8
2	TEK SCREW 14-20 HEX HD 22mm	9
2	NUT NYLOC M4-0.7 Z/P	10
1	50mm TOWBALL	11
1	SILENT HITCH PIN-SILVER	12
1	HITCH BOX COLLAR COVER	13
2	10mm "D" SHACKLE	14
1	ACRYLIC COMPLIANCE PLATE	15
1	VEHICLE-TRAILER WIRING HARNESS	16



Towbar Fitting Instructions
To Suit **TOYOTA FORTUNER GUN156R SERIES**
Part Number **QT1129L**
Rating **3000/300 kg**

PLACE THESE INSTRUCTIONS IN THE VEHICLE'S GLOVEBOX AFTER INSTALLATION IS COMPLETED

INSTRUCTION:

1. Open the rear tail gate to expose boot space.
2. Remove 8 x Screws securing bumper to vehicle back panel.
3. Remove 2 x Screws securing the tail light to the vehicle. Repeat for opposite side.
4. Carefully remove and disconnect the tail light. Repeat for opposite side.
5. On the inside of the guard liner. Remove 3 x Screws and 1 x Push Clip. Repeat for opposite side.
6. On the underside of the bumper where the bumper edge meets the guard, remove 4 x Screws and 1 x Push Rivet. Repeat for opposite side.
7. On the underside of the bumper, remove 4 x Push Clips.
8. Carefully remove bumper by peeling away at each edge which meets the rear guard and any factory fitted parking sensors. Store in a safe place for re-attachment.

Remove 3 x Bumper Mounts by removing 3 x Screws on the rear bumper support. Retain one bumper mount on the driver's side for re-attachment. Discard remaining 2 x Bumper mounts.

9. On the passenger side, remove 2 x Set Screws to detach the factory shipping hook. Keep in a safe place for re-attachment.
10. On the driver's side remove 2 x Set Screws to detach the factory recovery point. Keep in a safe place for re-attachment.
11. Disconnect exhaust hanger from chassis prongs to allow ease of fitment for the towbar.
12. Referring to the owner's manual, lower the spare tyre below the exhaust.
13. Fit the bumper tabs in their respective positions using the Tek screw provided on the towbar.

Bumper Tab 1 (denoted by one hole on the longer edge) is positioned on the passenger side outer hole.

Bumper Tab 2 (denote by two holes on the longer edge) is positioned on inner hole on the drivers side closer to the centre of the towbar.

As show on drawing on Page 3.

Tighten all Tek screws to a firm hand tightness.

14. Position the spacer plate over the vertical mounts on the towbar. Repeat for the opposite side.



Towbar Fitting Instructions
To Suit **TOYOTA FORTUNER GUN156R SERIES**
Part Number **QT1129L**
Rating **3000/300 kg**

PLACE THESE INSTRUCTIONS IN THE VEHICLE'S GLOVEBOX AFTER INSTALLATION IS COMPLETED

15. Loosely fit the towbar to the vehicle by using 6 x M12 x 45 X 1.25P Set Screws (3 Per Side) with accompanying washers for the vertical mounts on the chassis rail.

Then further secure the towbar by using 4 x M12 x 45 x 1.25P with accompanying flat washers (2 per side) horizontally on the chassis rail.

Re-fit the factory shipping hook and recovery point if needed.

Torque all fasteners to the following:

M12 x 45 x 1.35P : 125Nm

16. Re-attach the factory bumper mount on the far end of the driver's side using 1 x Set Screw used to detach it from Step 8.
17. Reset the spare tyre to allow sufficient clearance from the tow bar. Make sure it does not foul or seat tightly against the pan rod located further forward in the vehicle.
- Re-attach exhaust hanger to factory prongs.
18. Detach and separate the bottom garnish on the bumper by removing the series of clips located on the inside face.
19. On the exposed bottom edge of the main bumper, locate the centre vertical. Make a cut 20mm upward and 210mm across (105mm either side of the centre vertical). As show on figure 1.
20. On the lower garnish where the bottom edge is, locate the centre vertical. Cut 80mm across (40mm either side of the centre) and up 60mm from bottom edge as measured outside of bumper. As show on figure 2.
- On the garnish cut a triangle 35mm wide and 35mm tall at the bottom corner on each side.
21. On the lower garnish bottom edge of the bumper, mark out and drill 2 x ø5mm holes 69mm apart on bumper skin to support plug bracket. Feed bracket threads through drilled holes prior to reinstalling bumper.
22. Re-attach bottom garnish with bumper.

Refit bumper back to the vehicle by following steps 1-8 in reverse.

Towbar Fitting Instructions
To Suit **TOYOTA FORTUNER GUN156R SERIES**
Part Number **QT1129L**
Rating **3000/300 kg**

PLACE THESE INSTRUCTIONS IN THE VEHICLE'S GLOVEBOX AFTER INSTALLATION IS COMPLETED

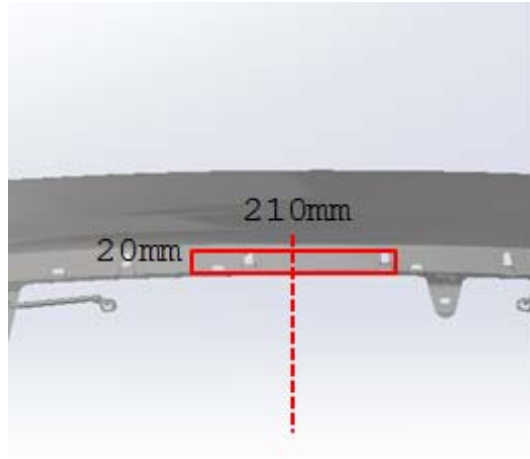


figure 1.

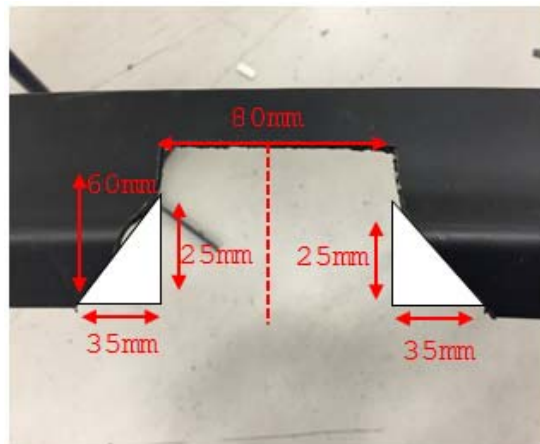


figure 2.



Wiring Loom Fitting Instructions
To Suit Toyota Fortuner GUN156R
Part Number 101248-WL

Wiring Loom Installation Instructions

Toyota Fortuner GUN156R

Part No: 101248-WL

Tail Harness Length Required: 1800mm

ECU Required: 04826

Wiring Loom Installation Time: Approx 40 Mins



Wiring Loom Fitting Instructions
To Suit Toyota Fortuner GUN156R
Part Number 101248-WL

1. In the luggage compartment area, remove the luggage compartment rear trim by disengaging the required clips.
2. Remove the LHS rear seat by gaining access to and removing the three fasteners.
3. Remove the LHS tool access tray and then remove the tools.
4. Remove the LHS luggage compartment trim by removing the two seatbelt bolts and disengaging the required clips.
5. Remove the required fasteners to dislodge the RHS luggage compartment trim to gain access to the tail light connectors.
6. Disconnect the RHS tail light connector and patch the trailer patch (P/No: 101248-WL) connectors in between. Route the trailer patch harness along the rear of the luggage compartment towards the LHS rear quarter area.
7. Disconnect the LHS tail light connector and patch the trailer patch connectors in between.
8. Connect the trailer patch ECU connector to the ECU.
9. Locate a suitable location on the LHS rear quarter sheet metal to mount the ECU. Clean the mounting location, peel off the backing from the ECU and adhere the ECU into place.
10. On the LHS rear quarter exterior, locate and remove the vehicle grommet. Drill out the grommet hole to Ø30mm. Apply rust inhibitor (not supplied) after drilling.
11. At the rear exterior of the vehicle, mount the tail harness socket to the towbar mounting bracket using M4 fasteners (not supplied).
12. Route the tail harness (tail length: 1800mm) across the LHS and up into the drilled out hole. Adjust the trailer patch harness grommet so that it is seated correctly.
13. From inside the vehicle, route the trailer patch ORANGE power wire out through the tail harness grommet and secure both harnesses to the grommet with a cable tie (not supplied).
14. Route the trailer patch ORANGE power wire underneath the vehicle following the LHS chassis rail to the engine bay accessory fuse box. Keep harness routing clear of all moving parts, sharp edges or places of extreme heat. Secure the harness appropriately in place after routing.
15. Remove the accessory fuse panel from the accessory fuse box and route the trailer patch ORANGE wire terminal through the accessory box opening and up into the slot. Connect the 30 amp fuse into place.
16. Connect the tail harness 8-way connector to the trailer patch 8-way mating connector.
17. Test the Trailer Harness function using trailer light board or multi-meter.
18. Secure all harnesses to the vehicle using cable ties.
19. Re-fit all removed parts and secure all fasteners.
20. Please place the fitting instructions in the glove box after installation.



FITTING INSTRUCTIONS

Silent Anti-Rattle Hitch Pin (PR0001)

• These fitting instructions are supplied to ensure understanding of how the HITCH PIN should be fitted and used correctly.

• Once installed, we recommend **ALL** instructions are kept and placed in the vehicle glove box.

NOTE: Routine maintenance and inspection of the towbar & HITCH PIN is required. Regularly inspect for wear and check the tightness of the Hitch Pin. Follow instructions below to retighten the nut when necessary.

***Do not tow with your vehicle if the R CLIP or the HITCH PIN is loose or missing. Replacement parts are available from your Pro Series Distributor.**

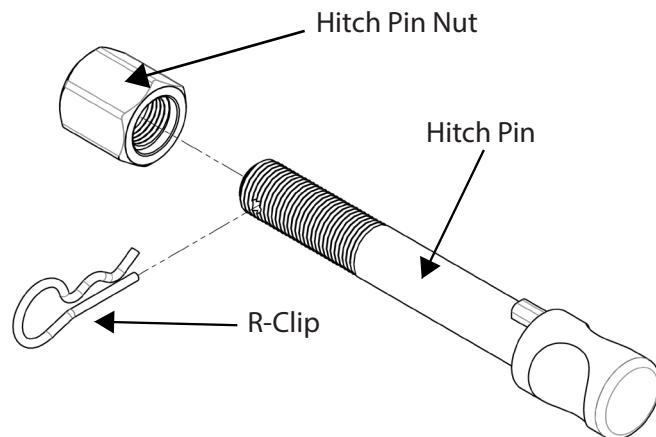


Fig 1. Silent Anti-Rattle Hitch Pin assembly

STEP 1

Insert Trailer Ball Mount (TBM) into towbar HITCHBOX, aligning hole in TBM SHANK with hole in HITCHBOX (Fig 2).

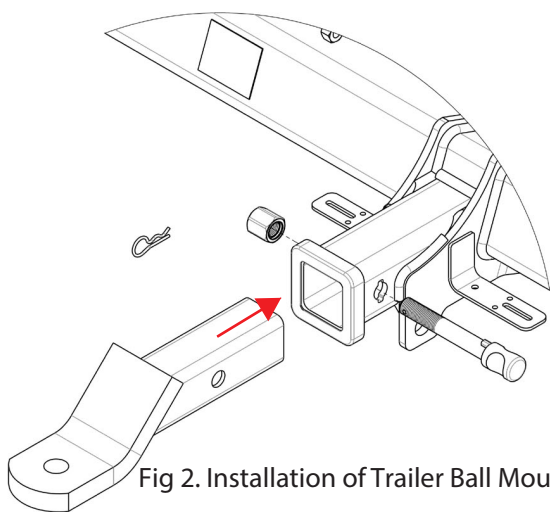


Fig 2. Installation of Trailer Ball Mount

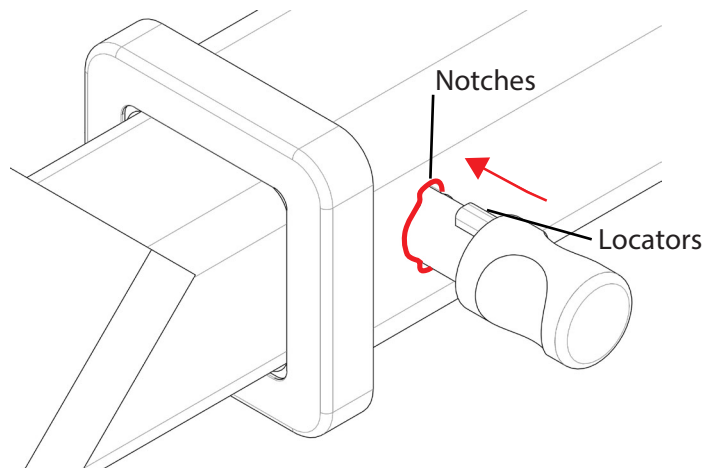


Fig 3. Silent Anti-Rattle Hitch Pin orientation

STEP 2

Insert HITCH PIN through hole in HITCHBOX and hole in TBM SHANK; ensure the LOCATORS are inserted into the NOTCHES in the HITCHBOX (Fig. 3).

STEP 3

Screw HITCH PIN NUT onto HITCH PIN ; tighten HITCH PIN NUT until finger tight, ensuring TBM is restrained from movement.

STEP 4

Tighten HITCH PIN NUT by turning nut a further 1/8th of a turn in the clockwise direction using a 24mm spanner (Fig. 4).

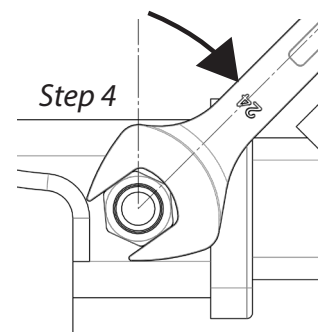


Fig 4. Tightening of Silent Anti-Rattle Hitch Pin Nut

STEP 5

Install HITCH PIN R CLIP through the hole on the HITCH PIN (Fig. 1).