

INSTALLATION INSTRUCTIONS



02884RW-FI TO SUIT TOYOTA LAND CRUISER 200 GXL VX 2009-ON
& SAHARA 09-07-ON

ENSURE INSTRUCTIONS ARE UNDERSTOOD BEFORE INSTALLATION.

Rating Braked 3500 Kg

Rating Unbraked 750 Kg

Max Static Ball Load 350 Kg

Warning:

1. Do not, drill, cut, weld or otherwise modify the towbar.
2. If you are using electric welding on a motor vehicle, **always** check that the vehicle is not equipped with electronic engine or instrument management equipment. Failure to do so could **destroy** any onboard computers. If in doubt, check with the vehicle's manufacturer.

1. **General:** Ensure all hardware items have been included refer to assembly diagram.
2. It is recommended that the instructions are read through and completely understood before making any attempt to fit this product.
3. Be wary of any changes to vehicle designs or other accessories that may conflict with the installation of this product.
4. Before drilling ensure that the area is clear of fuel, electrical & other components.
5. All holes drilled into the body panels shall have all burrs & swarf removed then coated with a suitable rust preventative paint.
6. The high tensile fasteners supplied with this product were used to achieve the specified rating. If replacement is required ensure that fasteners of the same rating & quality are used. Contact an authorised **Hayman Reese** dealer if further information is required.
7. Ensure that all hardware is fastened to torque list below check fasteners on regular basis.
8. Towbar load rating sticker provided with this product shall be conspicuously located on inside rear end of the driver's door. **(See diagram below).**
9. Hayman Reese recommends that you check your tow ball to ensure that it complies with the Australian standards **AS 4177.2**.
10. **PLEASE NOTE:** It is advised to remove your lug or tbm when not actually towing so as to produce a clear view of the vehicles registration plate if obscured, and to also provide maximum available departure angle.
11. Place installation instructions inside glove box of vehicle after installation.

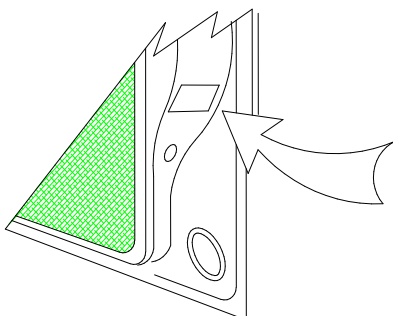
Tow bar Maintenance and Care.

Hayman Reese recommends that bolt torque's, as listed below, are routinely and regularly inspected and checked for correct tension. Replace any worn or defective parts.

We recommended to remove Tow Ball Mounts (TBM's, tongues or lugs) when not being used for any considerable length of time.

So as to avoid injury, when not towing it is suggested that the tongue, Pull Pin and R-clip are removed then stored in a safe, clean and dry place, away from excessive moisture.

Hitch Pull Pins and spring "R" clips are regularly checked for proper installation. Replace any worn or defective parts.



Place load rating sticker
inside driver's door here

RECOMMENDED ASSEMBLY TORQUE LISTING

Diameter Grade 8.8 Bolt

M6	9.5 Nm
M8	21.7 Nm
M10	43.4 Nm
M12	77.3 Nm
M16	189.8 Nm

FOR TOWING PURPOSES ONLY

For towing capacity details please refer to vehicle owner's manual or to the manufacturer. Overloading can void your warranties.

INSTALLATION INSTRUCTIONS



02884RW-FI TO SUIT TOYOTA LAND CRUISER 200 GXL VX 2009-ON
& SAHARA 09-07-ON

ENSURE INSTRUCTIONS ARE UNDERSTOOD BEFORE INSTALLATION.

12. Remove rear bumper cover in the centre of vehicle via

- Remove plastic trim plug from underside of the vehicle see fig1.
- Push the two catches in to release the cover see fig2.
- Then push the cover up to remove.



Fig 1

Plastic trim plug on under side of bumper bar skin



Fig 2

Push the two catches in on the underside of the bumper bar cover to release.

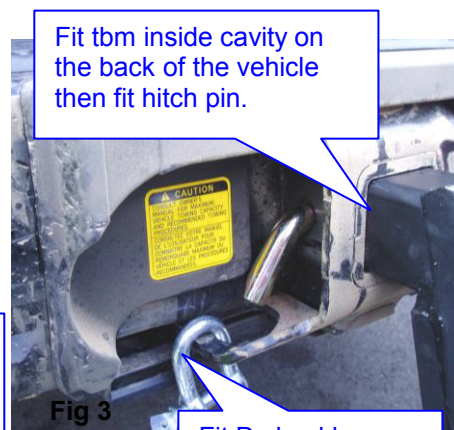


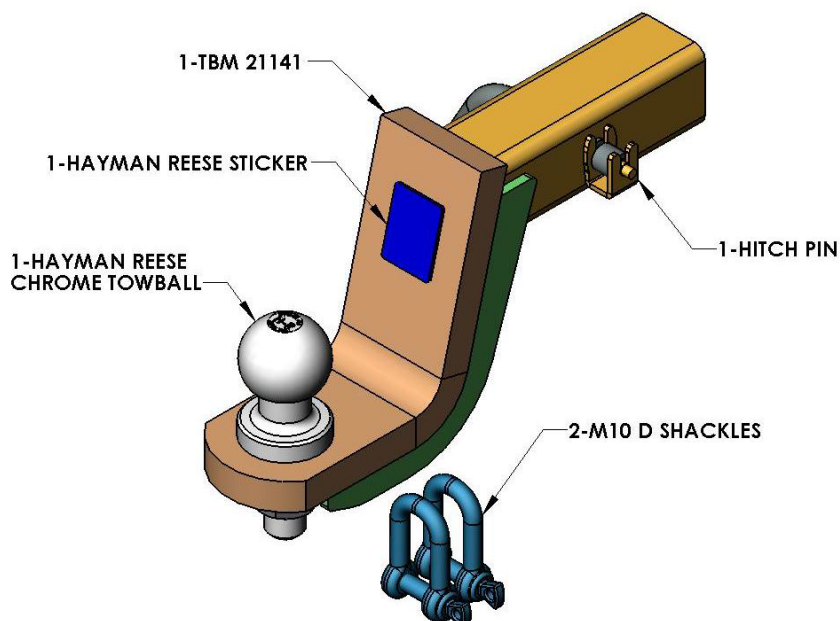
Fig 3

Fit tbm inside cavity on the back of the vehicle then fit hitch pin.

Fit D shackles provided each side to chain connection points

13. Important information

- The trailer ball mount is to be used for towing purposes only.
- Remove the trailer ball mount from the vehicle if you are not towing.
- Refit the plastic cover to rear of the vehicle in the reverse of steps 12. not towing.
- DO NOT STORE THE TRAILER BALL MOUNT INSIDE THE VEHICLE** damage to the vehicle or occupants may occur if the trailer ball is not secured properly.



HAYMAN REESE
PART No: 100550-WL
TOYOTA LANDCRUISER 200 SERIES
(2009 ON)

INSTALLATION INSTRUCTIONS

PLEASE ENSURE THAT INSTRUCTIONS ARE UNDERSTOOD PRIOR TO FITMENT

Wiring Loom Installation Instructions

TOYOTA LANDCRUISER 200 SERIES
(2009 ON)

Part No: 100550-WL

ECU Required: 04826

Tail Harness Length Required: 1800mm

RPA Override Switch Part No: 04848 (If Fitted)

Wiring Loom Installation Time: Approx 30 Mins

Issue Date 21-12-11

Page 1

Part No: 100550-WL

Hayman Reese (Cequent)
PO Box 4050, Dandenong South VIC 3164
Phone 1800 812 017 Email info@haymanreese.com.au

www.haymanreese.com.au

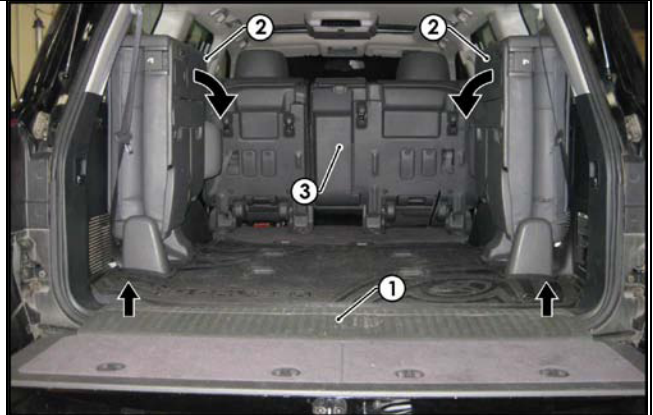


HAYMAN REESE
PART No: 100550-WL
TOYOTA LANDCRUISER 200 SERIES
(2009 ON)

INSTALLATION INSTRUCTIONS

PLEASE ENSURE THAT INSTRUCTIONS ARE UNDERSTOOD PRIOR TO FITMENT

1. In the luggage compartment remove the tail gate trim (1).
2. Fold the third row seats (2) down.
3. Fold the rear seats (3) forward and into an upright position.



4. Remove the LHS latch cover (1).
5. Remove the LHS side trim (2).



6. Locate the vehicle 10-way breakout connector (1).
7. Connect the Trailer Harness (P/No: 100550-WL) mating connector (1) to the vehicle 10-way breakout connector (2).



Issue Date 21-12-11

Page 2

Part No: 100550-WL

Hayman Reese (Cequent)
PO Box 4050, Dandenong South VIC 3164
Phone 1800 812 017 Email info@haymanreese.com.au

www.haymanreese.com.au

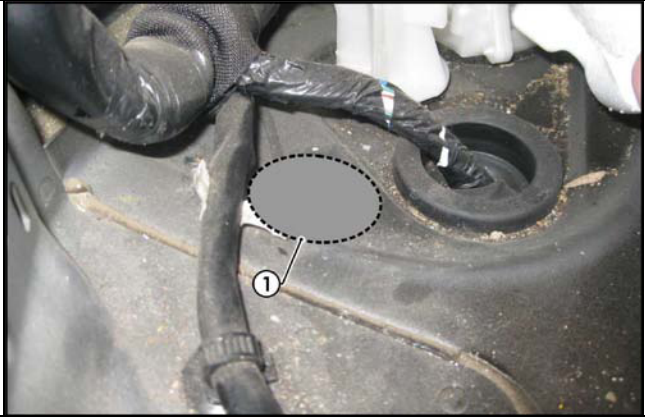


HAYMAN REESE
PART No: 100550-WL
TOYOTA LANDCRUISER 200 SERIES
(2009 ON)

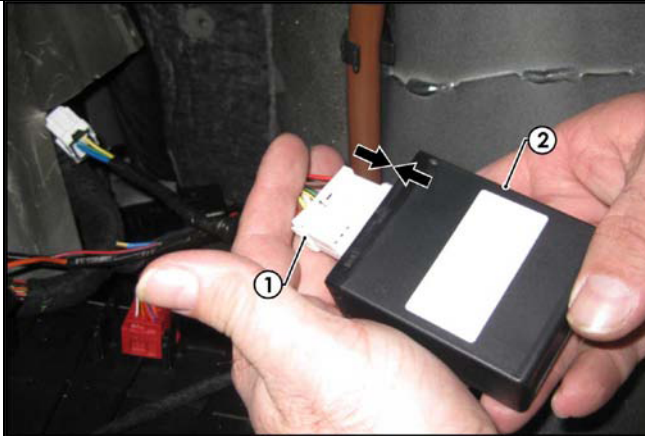
INSTALLATION INSTRUCTIONS

PLEASE ENSURE THAT INSTRUCTIONS ARE UNDERSTOOD PRIOR TO FITMENT

8. Drill a Ø31mm hole (1) into the vehicle sheet metal, next to the LHS vehicle grommet
9. File any rough or sharp edges and spray on rust inhibitor.



10. Connect the trailer patch harness 12-way connector (1) to the ECU (04826) (2).



11. Apply double sided tape to the ECU (1) and adhere it to the sheet metal on the LHS of the luggage compartment.



Issue Date 21-12-11

Page 3

Part No: 100550-WL

Hayman Reese (Cequent)
PO Box 4050, Dandenong South VIC 3164
Phone 1800 812 017 Email info@haymanreese.com.au

www.haymanreese.com.au



HAYMAN REESE
PART No: 100550-WL
TOYOTA LANDCRUISER 200 SERIES
(2009 ON)

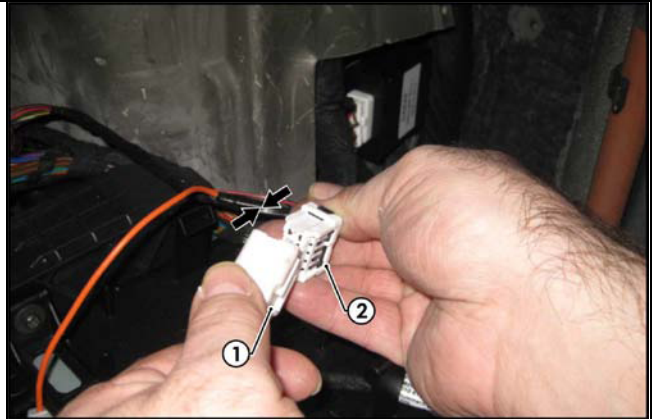
INSTALLATION INSTRUCTIONS

PLEASE ENSURE THAT INSTRUCTIONS ARE UNDERSTOOD PRIOR TO FITMENT

12. Mount the trailer socket to the towbar mounting bracket using M4 fasteners (not supplied).
13. Route the Tail Harness (tail length 1800mm) (1) across the towbar towards the LHS of the vehicle and up through the previously drilled out hole.
14. Ensure the Tail Harness grommet is seated correctly and secure in place using a cable tie (not supplied).



15. Connect the Trailer Harness 8-way female connector (1) to the tail harness mating 8-way male connector (2).



16. Test the Trailer Harness function using a Light Board or multimeter.
17. Secure all Harnesses using cables ties (not supplied).
18. Re-fit all removed parts and secure all fasteners, ensuring there are no squeaks or rattles.
19. Place the instructions in the glove box after fitment

Issue Date 21-12-11

Page 4

Part No: 100550-WL

Hayman Reese (Cequent)
PO Box 4050, Dandenong South VIC 3164
Phone 1800 812 017 Email info@haymanreese.com.au