



Towbar Fitting Instructions
To Suit TOYOTA AVALON SEDAN 6/2000-ON
Part Number QT500A
Rating 1600Kg

1. Ensure all hardware items have been included.
2. Remove spare wheel.
3. Remove interior trim to allow access to bumper nuts.
4. Remove all nuts and bolts that secure bumper to car.
5. Remove bumper.
6. Remove and discard steel bumper insert.
7. Remove and discard centre bottom bumper mounting tag diagram A.
8. Slide cross member into sub frame cavities.
9. Fit 4-M10x30 bolts, spring washers, flat washers and tighten.
10. Bolt long member to cross member with 3-M12x40 bolts, spring washers, nuts and tighten.
11. Using long 11mm drill, drill up through holes in long member angle iron into boot floor (Alternatively holes can be marked from under car with centre punch and drilled from inside boot). Fit bolts loose plates supplied.
12. Using rearward most remaining tail plate as a guide, drill to 11mm. Fit bolts and loose plates supplied.
13. Refit bumper.
14. Refit spare wheel.
15. Refit interior trim.
16. Tighten all bolts to torque listing below.

RECOMMENDED ASSEMBLY TORQUE LISTING

<u>Diameter</u>	<u>Grade 8.8 Bolt</u>
	Nm
M6	9.5
M8	21.7
M10	43.4
M12	77.3
M14	121.0
M16	189.8

TRAILBOSS

Towbar Fitting Instructions
 To Suit TOYOTA AVALON SEDAN 6/2000-ON
 Part Number QT500A
 Rating 1600Kg

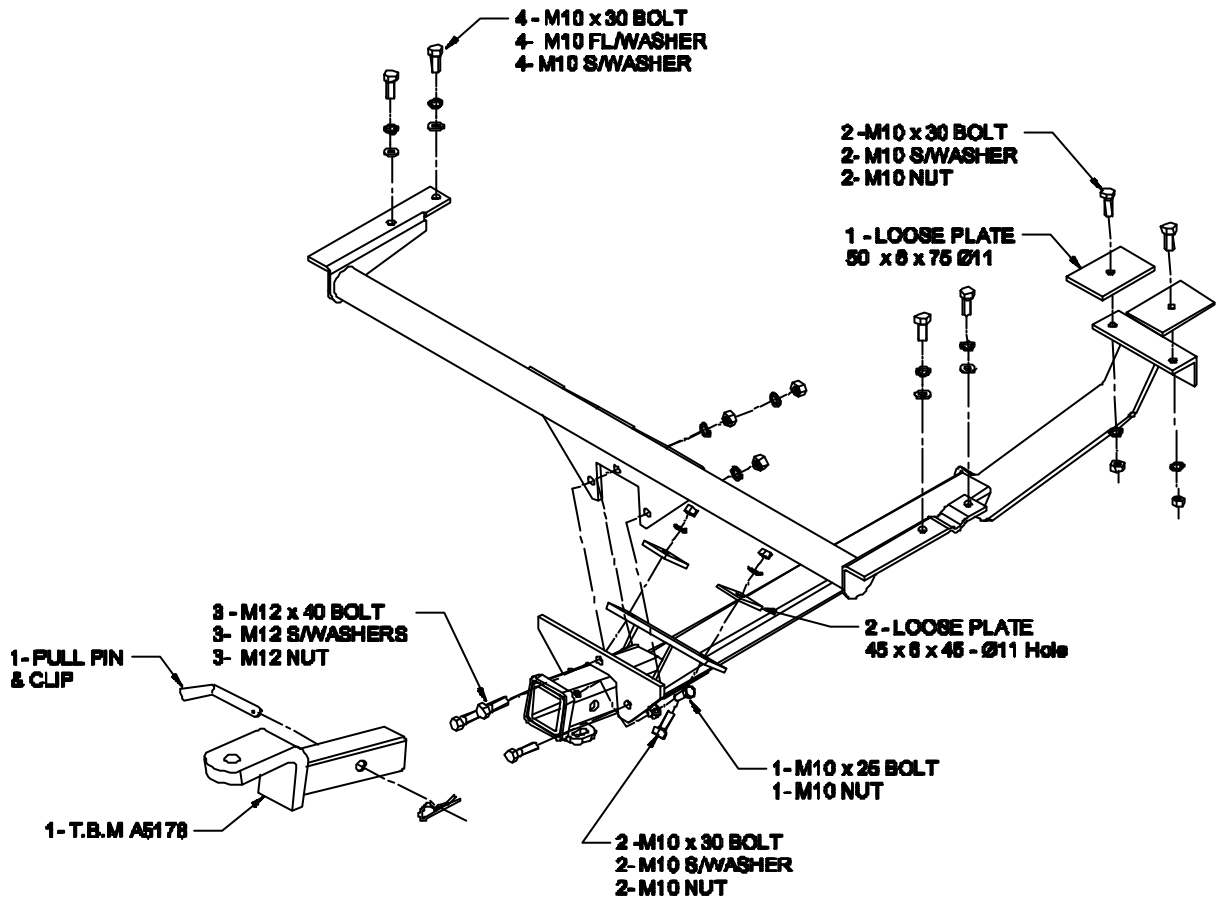


DIAGRAM 'A'

