

TRAILBOSS

Towbar Fitting Instructions To Suit **BMW 2 SERIES TOURER (F45) – 09/2014 ONWARD** Part Number **QTBM115L** Rating **1500/75 kg**

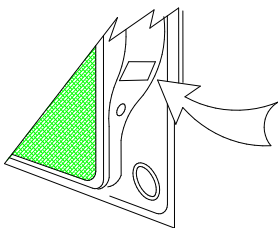
PLACE THESE INSTRUCTIONS IN THE VEHICLE'S GLOVEBOX AFTER INSTALLATION IS COMPLETED

WARNING:

1. Do not, drill, cut, weld or otherwise modify the tow bar.
2. If you are using electric welding on a motor vehicle, **always** check that the vehicle is not equipped with electronic engine or instrument management equipment. Failure to do so could **destroy** any onboard computers. If in doubt, check with the vehicle's manufacturer.
3. The high tensile fasteners supplied with this product were used to achieve the specified rating. If replacement is required ensure that fasteners of the same rating & quality are used. Contact an authorised **Trailboss** dealer if further information is required.
4. If TBM is used in inverted position tow ball may make contact with rear tailgate when lowered, which could cause damage.

General:

1. Ensure all hardware items have been included refer to assembly diagram.
2. It is recommended that the instructions are read through and completely understood before making any attempt to fit this product.
3. Be wary of any changes to vehicle designs or other accessories that may conflict with the installation of this product.
4. Before drilling ensure that the area is clear of fuel, electrical & other components.
5. All holes drilled into the body panels shall have all burrs & swarf removed then coated with a suitable rust preventative paint.
6. For vehicles that require the bumper to be cut. Ensure cut out area is in correct position on the vehicle prior to cutting the bumper.
7. The high tensile fasteners supplied with this product were used to achieve the specified rating. If replacement is required ensure that fasteners of the same rating & quality are used. Contact an authorized **Trailboss** dealer if further information is required.
8. Ensure that all hardware is fastened to torque list below check fasteners on regular basis.
9. Tow bar load rating sticker provided with this product shall be conspicuously located on inside rear end of the driver's door. **(See diagram below).**
10. Trailboss recommends that you check your tow ball to ensure that it complies with the Australian standards **AS 4177.2**.
11. **PLEASE NOTE:** It is advised to remove your lug or tbn when not actually towing so as to produce a clear view of the vehicles registration plate if obscured, and to also provide maximum available departure angle
12. Pull Pin must be fit in down position.



Place load rating sticker
inside driver's door here

FOR TRAILER TOWING PURPOSES ONLY
For towing capacity details please refer to vehicle owner's manual or to the manufacturer. Overloading can void your warranties.

RECOMMENDED ASSEMBLY TORQUE LISTING

<u>Diameter</u>	<u>Grade 8.8 Bolt</u>
M6	9.5 Nm
M8	21.7 Nm
M10	43.4 Nm
M12	77.3Nm
M14	146 Nm
M16	189.8 Nm

Tow bar Maintenance and Care.

Trailboss recommends that bolt torque's, as listed below, are routinely and regularly inspected and checked for correct tension. Replace any worn or defective parts.

We recommended to remove Tow Ball Mounts (TBM's, tongues or lugs) when not being used for any considerable length of time.

So as to avoid injury, when not towing it is suggested that the tongue, Pull Pin and R-clip are removed then stored in a safe, clean and dry place, away from excessive moisture.

Hitch Pull Pins and spring "R" clips are regularly checked for proper installation. Replace any worn or defective parts.

TRAILBOSS

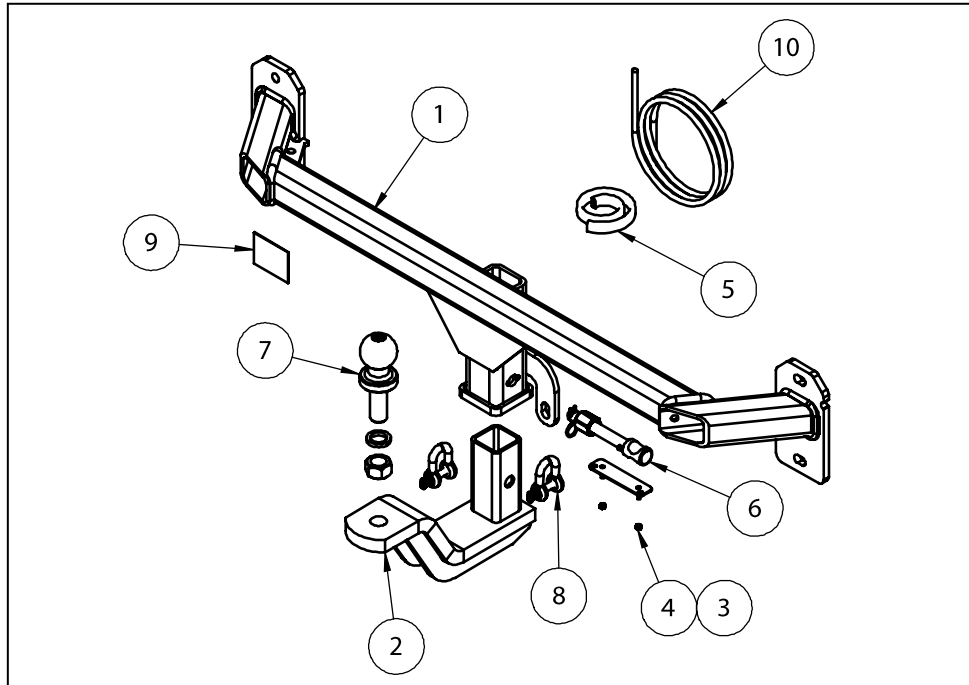
Towbar Fitting Instructions

To Suit **BMW 2 SERIES TOURER (F45) – 09/2014 ONWARD**

Part Number **QTBM115L**

Rating **1500/75 kg**

PLACE THESE INSTRUCTIONS IN THE VEHICLE'S GLOVEBOX AFTER INSTALLATION IS COMPLETED



QTY.	DESCRIPTION	ITEM NO.
1	WELDED ASSEMBLY	1
1	TBM ASSY	2
1	PLUG BRACKET	3
2	NUT NYLOC M4-0.7 Z/P	4
1	BUMPER TRIM PINCH WELD 700mm	5
1	ANTI-RATTLE PULL PIN ASSY	6
1	50mm TOWBALL	7
2	10mm "D" SHACKLE	8
1	ACRYLIC C CP	9
1	VEHICLE-TRAILER WIRING HARNESS	10



Towbar Fitting Instructions
To Suit **BMW 2 SERIES TOURER (F45) – 09/2014 ONWARD**
Part Number **QTBM115L**
Rating **1500/75 kg**

PLACE THESE INSTRUCTIONS IN THE VEHICLE'S GLOVEBOX AFTER INSTALLATION IS COMPLETED

INSTRUCTION:

1. Remove 2x Screws from rear face of rear wheel arch. Repeat for opposite side of vehicle.
2. Remove plastic Flange Nut and push rivet from rear wheel arch, securing mudguard. Remove mudguard.
Repeat for opposite side of vehicle.
3. Remove Screw securing bumper trim to vehicle body work. Repeat for opposite side of vehicle.
4. Remove 2x Screws from underside of bumper, behind rear wheel arch.
Repeat for opposite side of the vehicle.
5. Remove 6x (8x where lower heat shield is install) Screws from underside of bumper, at rear end of vehicle.
6. Where installed, remove 4x Heat Shield fasteners and 2x Screws; remove lower section of heat shield, ensuring heat shield is lifted over locators.
7. Remove trim adjacent to tail light assembly within boot cavity, starting at the notch at the lower end of the piece.
Repeat for opposite side of vehicle.
8. Remove 2x flanged Nuts securing tail light assembly. Remove and disconnect tail light assembly.
Repeat for opposite side of vehicle.
9. Remove screw, previously concealed by tail light assembly. Repeat for opposite side of vehicle.
10. Unclip and remove parking sensors from bumper fascia.
11. Carefully unclip and remove rear bumper fascia from vehicle.
12. Where installed, disconnect remote boot and hands-free power tailgate junction box.
13. Unclip and remove remote boot and hands-free power tailgate sensor support.
14. Remove and retain 4x flanged Nuts securing rear impact beam.
15. Remove and discard rear impact beam.
16. Offer Towbar to rear panel of vehicle. Secure towbar with 4x flanged nuts removed in step 14. Tighten flanged Nuts to M12 torque specified on page 1 of this document.
17. Where installed, identify centreline of lower heat shield removed in step 6. Create a cutout as per diagram.
18. Mark out and drill 2x \varnothing 5mm holes 69mm apart on bumper skin to support plug bracket. Feed bracket threads through drilled holes prior to reinstalling bumper.

Reinstall bumper bar by following steps 1 to 13 in reverse order. Use foam tap between mudguard and wheel arch as required.

TRAILBOSS

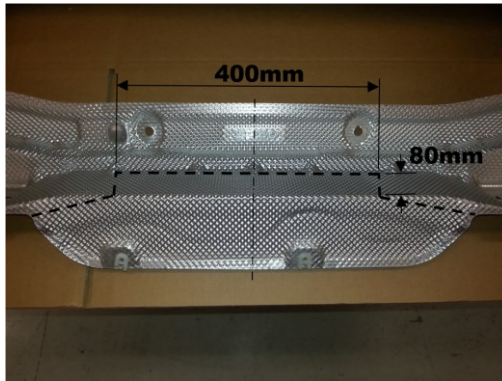
Towbar Fitting Instructions

To Suit **BMW 2 SERIES TOURER (F45) – 09/2014 ONWARD**

Part Number **QTBM115L**

Rating **1500/75 kg**

PLACE THESE INSTRUCTIONS IN THE VEHICLE'S GLOVEBOX AFTER INSTALLATION IS COMPLETED





Wiring Loom Fitting Instructions
To Suit BMW 320D / BMW 2 Series
Part Number 100902-WL

Wiring Loom Installation Instructions

BMW 320D / BMW 2 Series (Page 2-3)
Part No: 100902-WL (4-5)

Tail Harness Length Required: 1800 (BMW 320D)
Tail Harness Length Required: 1200 (BMW 2 Series)
ECU Required: 04838 (BMW 320D)
ECU Required: 04828 (BMW 2 Series)

Wiring Loom Installation Time: Approx 20 - 30 Mins

TRAILBOSS

Wiring Loom Fitting Instructions To Suit BMW 320D / BMW 2 Series Part Number 100902-WL

The following steps are for BMW 320D vehicle models only. For BMW 2 Series, please proceed to page 4.

1. On the RHS of the luggage compartment, remove the access panel by turning the clip lock 90°.
2. In the RHS rear quarter panel, drill a Ø30mm hole (1).



3. File any rough or sharp edges and spray with rust inhibitor.

Always confirm wire colours with a multi-meter.

4. Following the table below, connect the ezy-taps to the corresponding vehicle wires, then connect the trailer patch terminal to the ezy-taps.

Function	Trailer Patch	Vehicle Connector
R.IND	GREEN / BLACK	BLACK / GREY
L.IND	YELLOW / BLACK	BLACK / WHITE
TAIL	BROWN / BLACK	GREY / YELLOW
BRAKES	RED / BLACK	BLACK / BLUE

Always confirm wire colours with a multi-meter.

5. Following the table below, connect the ezy-tap to the vehicle's BLACK/BLUE wire, then connect the trailer patch terminal to the ezy-tap.

Function	Trailer Patch	Vehicle Connector
REVERSE	BLACK / WHITE	BLACK / BLUE

6. Connect the trailer patch ground ring terminal to the vehicle grounding point.
7. Connect the ORANGE 12v wire to the positive side of the vehicle battery.
8. Connect the trailer patch 12-way connector to the ECU (04838).
9. Apply double sided tape to the ECU (P/No: 04838) and secure it to the vehicle sheet metal in a suitable location. Note: Ensure to mount the ECU with the connector facing downwards.



Wiring Loom Fitting Instructions
To Suit BMW 320D / BMW 2 Series
Part Number 100902-WL

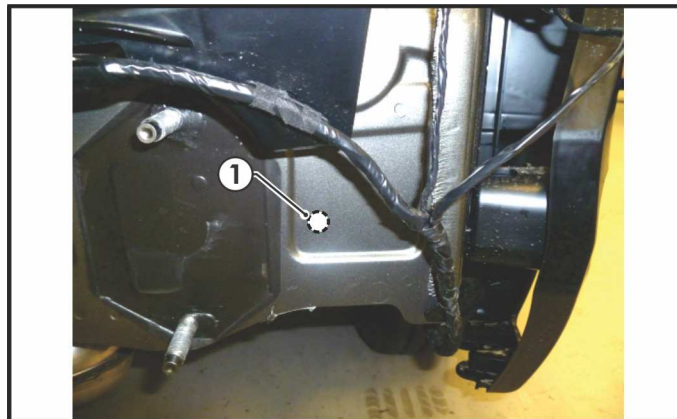
10. Mount the trailer socket to the tow bar mounting bracket using M4 fasteners (not supplied).
11. Route the tail harness (tail length: 1800mm) across the tow bar towards the RHS of the vehicle and up through the previously drilled hole.
12. Ensure the tail harness grommet is seated correctly and secure in place using a cable tie (not supplied).
13. Connect the tail harness 8-way connector to the trailer wiring harness mating 8-way connector.
14. Test the trailer wiring harness function using a light board or multimeter.
15. Secure all harnesses using cable ties (not supplied).
16. Re-fit all removed parts and secure all fasteners, ensuring there are no squeaks or rattles.
17. Place the fitting instructions in the glove box after fitment.

TRAILBOSS

Wiring Loom Fitting Instructions To Suit BMW 320D / BMW 2 Series Part Number 100902-WL

The following steps are for BMW 2 Series vehicle models only.

1. In the luggage compartment area, remove the rear parcel shelf and the floor cover.
2. Fold down the rear seats.
3. Remove the luggage compartment rear trim by removing four clips.
4. On the RHS luggage compartment trim remove the three torx screws from underneath the tie-down caps. Dislodge the trim.
5. From behind the trim disconnect the 12V interior light connector and the power socket connector. Remove the trim.
6. At the RHS rear quarter exterior of the vehicle, drill a Ø30mm hole (1) into the vehicle sheet metal. After drilling, file down any rough or sharp edges and apply rust inhibitor.



7. Locate the vehicle harness running up the rear of the vehicle.
8. Following the table below, connect the ezy-tap to the corresponding vehicle wire and then connect the trailer patch (P/No: 100902-WL) terminal to the ezy-tap.

Function	Trailer Patch	Vehicle Connector
REVERSE	BLACK / WHITE	GREY / BLUE

9. Gain access to the vehicle harness wires by un-taping the vehicle harness.
10. Always confirm wire colours with a multi-meter.



Wiring Loom Fitting Instructions
To Suit BMW 320D / BMW 2 Series
Part Number 100902-WL

11. Connect the ezy-taps to the corresponding vehicle wires, then connect the trailer patch terminals to the ezy-taps.

Note: the trailer patch BROWN/BLACK wire (tail) is not required. Secure into place by taping back onto trailer patch harness.

Function	Trailer Patch	Vehicle Connector
R.IND	GREEN / BLACK	BLUE / GREEN
L.IND	YELLOW / BLACK	BLACK / WHITE
BRAKES	RED / BLACK	BLACK / YELLOW

12. Always confirm wire colours with a multi-meter.
13. Locate and cut off the ring terminal from the trailer patch ORANGE power wire.
14. Solder the trailer patch ORANGE power wire onto the vehicle power socket connector's RED / BLUE wire.
15. Secure the trailer patch ground ring terminal to the vehicle grounding point using the existing vehicle fastener.
16. Connect the trailer patch ECU connector to the ECU (P/No: 04828).
17. At the RHS rear quarter interior, adhere the ECU to the outer side of the inner sheet metal in a suitable location. Note: Ensure to mount the ECU with the connector facing downwards.
18. Mount the trailer socket to the tow bar mounting bracket using M4 fasteners (not supplied).
19. Route the tail harness (tail length: 1200mm) across the tow bar towards the RHS of the vehicle and up through the previously drilled hole.
20. Ensure the tail harness grommet is seated correctly and secure in place using a cable tie (not supplied).
21. Connect the tail harness 8-way connector to the trailer wiring harness mating 8-way connector.
22. Test the trailer wiring harness function using a light board or multi-meter.
23. Secure all harnesses using cable ties (not supplied).
24. Re-fit all removed parts and secure all fasteners, ensuring there are no squeaks or rattles.
25. Place the fitting instructions in the glove box after fitment.



FITTING INSTRUCTIONS

Silent Anti-Rattle Hitch Pin (PR0001)

• These fitting instructions are supplied to ensure understanding of how the HITCH PIN should be fitted and used correctly.

• Once installed, we recommend **ALL** instructions are kept and placed in the vehicle glove box.

NOTE: Routine maintenance and inspection of the towbar & HITCH PIN is required. Regularly inspect for wear and check the tightness of the Hitch Pin. Follow instructions below to retighten the nut when necessary.

***Do not tow with your vehicle if the R CLIP or the HITCH PIN is loose or missing. Replacement parts are available from your Pro Series Distributor.**

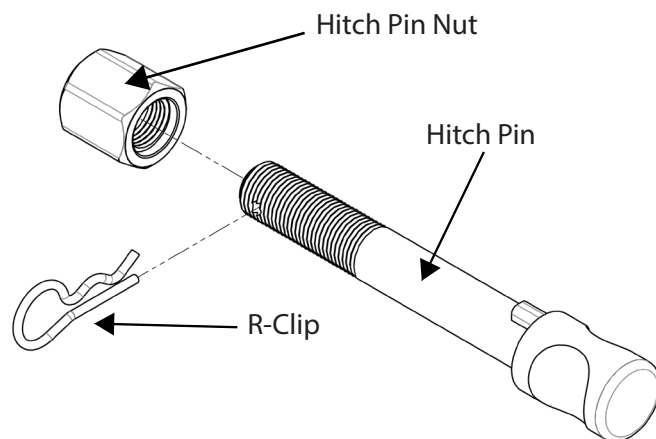


Fig 1. Silent Anti-Rattle Hitch Pin assembly

STEP 1

Insert Trailer Ball Mount (TBM) into towbar HITCHBOX, aligning hole in TBM SHANK with hole in HITCHBOX (Fig 2).

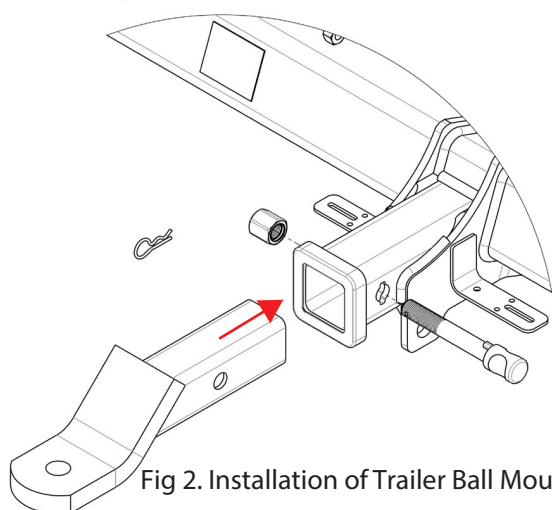


Fig 2. Installation of Trailer Ball Mount

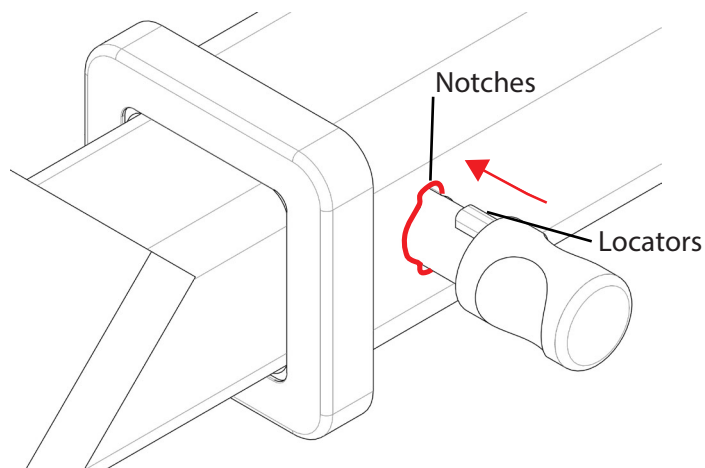


Fig 3. Silent Anti-Rattle Hitch Pin orientation

STEP 2

Insert HITCH PIN through hole in HITCHBOX and hole in TBM SHANK; ensure the LOCATORS are inserted into the NOTCHES in the HITCHBOX (Fig. 3).

STEP 3

Screw HITCH PIN NUT onto HITCH PIN; tighten HITCH PIN NUT until finger tight, ensuring TBM is restrained from movement.

STEP 4

Tighten HITCH PIN NUT by turning nut a further 1/8th of a turn in the clockwise direction using a 24mm spanner (Fig. 4).

STEP 5

Install HITCH PIN R CLIP through the hole on the HITCH PIN (Fig. 1).

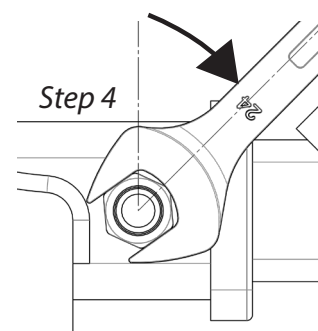


Fig 4. Tightening of Silent Anti-Rattle Hitch Pin Nut