

TRAILBOSS

Tow bar Fitting Instructions
To Suit Nissan T31 X Trail 10/07-02/14
Part Number QTDS821L
Rating 2000 kg Max Static Ball Load 200Kg

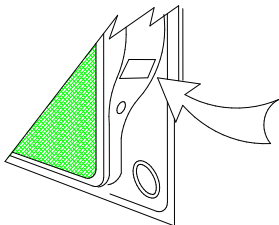
CAUTION THIS PRODUCT IS NOT RECOMMENDED FOR LOAD LEVELLING OR WEIGHT DISTRIBUTION DEVICES.

WARNING:

1. Do not, drill, cut, weld or otherwise modify the tow bar.
2. If you are using electric welding on a motor vehicle, **always** check that the vehicle is not equipped with electronic engine or instrument management equipment. Failure to do so could **destroy** any onboard computers. If in doubt, check with the vehicle's manufacturer

General:

1. Ensure all hardware items have been included
2. It is recommended that the instructions are read through and completely understood before making any attempt to fit this product.
3. Be wary of any changes to vehicle designs or other accessories that may conflict with the installation of this product.
4. Before drilling ensure that the area is clear of fuel, electrical & other components.
5. All holes drilled into the body panels shall have all burrs & swarf removed then coated with a suitable rust preventative paint.
6. The high tensile fasteners supplied with this product were used to achieve the specified rating. If replacement is required ensure that fasteners of the same rating & quality are used. Contact an authorized **Trailboss** dealer if further information is required.
7. Ensure that all hardware is fastened to torque list below check fasteners on regular basis.
8. Tow bar load rating sticker provided with this product shall be conspicuously located on inside rear end of the driver's door. **(See diagram below).**
9. Trailboss recommends that you check your tow ball to ensure that it complies with the Australian standards **AS 4177.2**.
10. **PLEASE NOTE:** It is advised to remove your lug or tbn when not actually towing so as to produce a clear view of the vehicles registration plate if obscured, and to also provide maximum available departure angle



Place load rating sticker
inside driver's door here

FOR TOWING PURPOSES ONLY
For towing capacity details please refer to vehicle owner's manual or to the manufacturer. Overloading can void your warranties.

RECOMMENDED ASSEMBLY TORQUE LISTING
Diameter Grade 8.8 Bolt

M6	9.5 Nm
M8	21.7 Nm
M10	43.4 Nm
M12	77.3 Nm
M16	189.8 Nm

Tow bar Maintenance and Care.

Trailboss recommends that bolt torque's, as listed below, are routinely and regularly inspected and checked for correct tension. Replace any worn or defective parts.

We recommended to remove Tow Ball Mounts (TBM's, tongues or lugs) when not being used for any considerable length of time. So as to avoid injury, when not towing it is suggested that the tongue, Pull Pin and R-clip are removed then stored in a safe, clean and dry place, away from excessive moisture.

Hitch Pull Pins and spring "R" clips are regularly checked for proper installation. Replace any worn or defective parts.

Tow bar Fitting Instructions
To Suit Nissan T31 X Trail 10/07-02/14
Part Number QTDS821L
Rating 2000 kg Max Static Ball Load 200Kg

1. Remove rear mud flaps via

- Remove 3 x torx screws from inside each wheel arch see fig 1.
- Remove 1 x Phillips head screw from under side of mud flap see fig 2.



Remove 3 x torx screws inside each wheel arch.

Fig 1

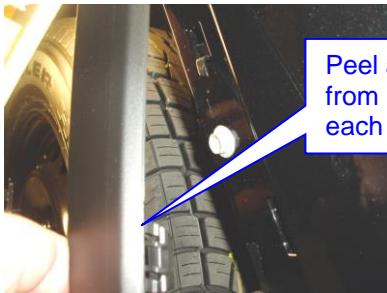


Remove 1 x Phillips head screw from underneath mud flap each side.

Fig 2

2. Remove rear plastic guard trim via

- Peel plastic wheel arch trim away to the centre of the wheel arch to expose 1 x Phillips head screw retaining bumper bar skin to the rear quarter panel see fig 3.
- Caution** must be taken when prying away the wheel arch trim from bumper bar skin damage to wheel arch trim & bumper bar skin can occur if caution is not taken.
- Remove 1 x Phillips head screw each side of the vehicle see fig 4.



Peel away trims from wheel arch each side.

Fig 3

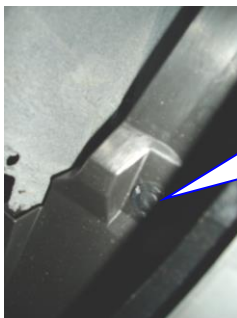


Phillips head screw at the top of each wheel arch & quarter panel

Fig 4

3. Remove plastic guards via

- Remove plastic trim via removing 2 plastic trim plugs each side of inner wheel arch see fig 5.
- Remove side bumper retainer via 1 plastic trim plug each side of vehicle see fig 6.



Remove 2 x plastic trim plugs then remove plastic trim.

Fig 5

Remove plastic trim plug from bumper retainer each side of the vehicle.

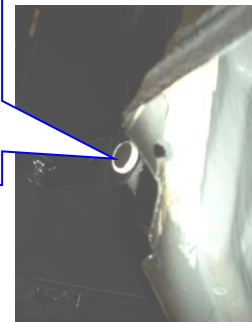


Fig 6

TRAILBOSS

Tow bar Fitting Instructions To Suit Nissan T31 X Trail 10/07-02/14 Part Number QTDS821L Rating 2000 kg Max Static Ball Load 200Kg

4. Remove plastic trim plugs underside bumper.

- Remove plastic trim plugs from the underside of the bumper bar skin see fig 7.
- From underneath the vehicle flex out bumper bar skin then disconnect the reverse lamp wiring harness each side of the vehicle note two people are required to disconnect see fig 8.
- Remove 2 x plastic covers from inside the rear tailgate cavity to expose 2 x screws then remove screws see fig 9.
- Carefully flex out bumper bar skin at the sides then pull rearward some force may be required two person lift is required.
- Wheel arch trims are to be held out so not to scratch bumper bar skin while removing see fig 3.

Fig 7



Remove plastic trim plugs from underneath bumper bar skin.

Fig 8



Disconnect the reversing lamps each side of the vehicle.

Fig 9



Remove plastic covers then remove 2 x screws in the rear tailgate cavity as shown.

5. Remove rear impact beam via

- Remove rear impact beam via 4 nuts inside the rear cross bar see fig 10.
- Remove 4 x retaining screws holding on face plate each side of the vehicle see fig 11.
- Disconnect the wiring harness on the passenger side of the vehicle see fig 11.
- Then remove and discard the impact beam & bolts.
- Lower the rear most muffler from the 2 rear most rubber hangers to aid fitment of the tow bar See fig 12.

Remove 2 x nuts each side of vehicle.



Fig 10

Remove 4 x nuts then remove face plate & discard repeat process for driver's side of vehicle.

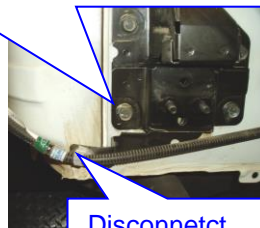


Fig 11

Disconnect wiring from clip

Rear most rubber hanger on the inside of chassis rail

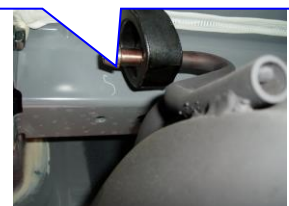


Fig 12

6. Fitment of tow bar to the vehicle via

- Offer tow bar to the rear sub frame of the vehicle so that captive nuts in the tow bar arms align with existing holes in the chassis rails.
- Fit M12 bolts loose plates & spring washers provided loosely see fig 14.
- Fit M8 bolts loose plates & spring washers provided to rear face mounts see fig 13.
- Fasten all hardware to torque listing.
- Refit the rear muffler in the reverse of step 15 e.
- Cut section of bumper bar rear skin out as per fig 15 with suitable hacksaw or similar device

7. Refit the rear bumper bar skin via

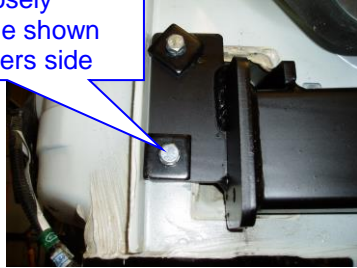
Refit the rear bumper bar skin in the reverse of steps 14e through to 11a ensure that 2 people are available for bumper fitment so not to damage the bumper as the wheel arch

TRAILBOSS

Tow bar Fitting Instructions
 To Suit Nissan T31 X Trail 10/07-02/14
 Part Number QTDS821L
 Rating 2000 kg Max Static Ball Load 200Kg

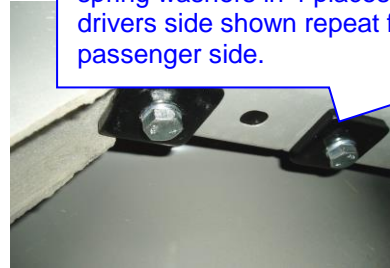
Fit M8 bolts with loose plates & spring washers in 4 places loosely passenger side shown repeat for drivers side

Fig 13



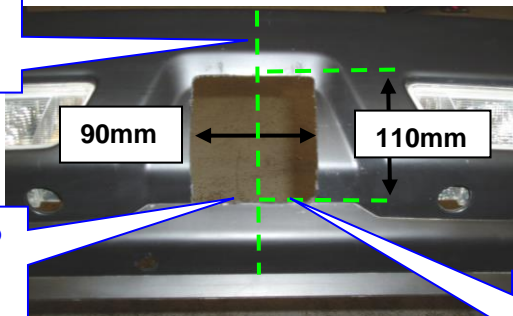
Fit M12 bolts with loose plates & spring washers in 4 places loosely drivers side shown repeat for passenger side.

Fig 14



Establish centre line of bumper bar skin then measure from centre out.

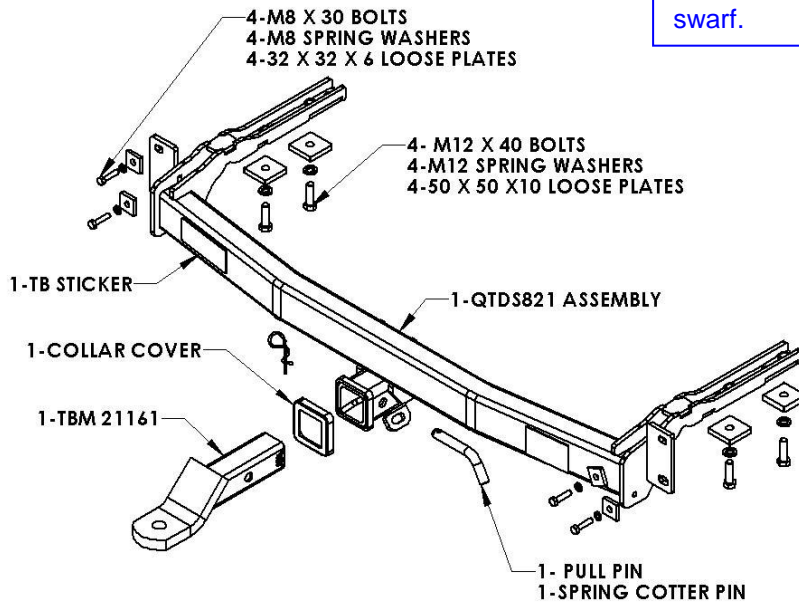
Fig 15



Place masking tape over the bumper bar skin before marking then cut with suitable saw or similar device.

Measure up from the top inside edge of bumper bar recess as shown.

Areas of bumper bar to be removed ensure that cut out is free of burrs & swarf.





Wiring Loom Fitting Instructions
To Suit Nissan T31 X-Trail
Oct' 2007 - Onwards
Part Number 100060-WL

Wiring Loom Installation Instructions

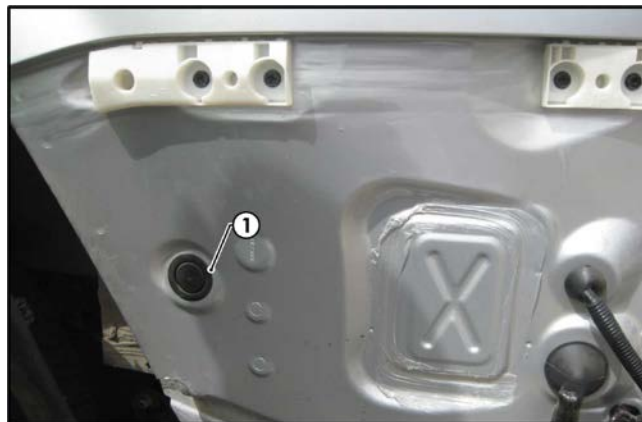
Nissan T31 X-Trail
Oct' 2007 - Onwards
Part No: 100060-WL

Tail Harness Length Required: 1800mm
RPA Override Switch Part No: 04848 (If Fitted)

Wiring Loom Installation Time: Approx 45 Mins

Wiring Loom Fitting Instructions
To Suit Nissan T31 X-Trail
Oct' 2007 - Onwards
Part Number 100060-WL

1. In the luggage compartment, remove the floor cover.
2. Remove the lower storage trays.
3. Remove the rear trim by first removing the small plastic cap on the striker.
4. On the LHS luggage compartment trim, remove the two cargo hooks by first removing the two bolts.
5. Remove the plastic cap from the upper LHS luggage compartment trim and release the bolt underneath.
6. On the upper LHS luggage compartment trim, lift the fastener cover and release the screw from underneath.
7. Repeat Steps 4-6 for the RHS.
8. Remove the cross member trim.
9. On the back of the LHS rear seat backrest, remove the plastic cover and remove any bolts or nuts.
10. Remove the LHS rear seat backrest.
11. Remove the LHS rear door sill trim.
12. Dislodge the LHS luggage compartment trim.
13. Repeat the above step for the RHS.
14. Disconnect the 12v accessory connector and remove the LHS luggage compartment trim.
15. From the outside of the vehicle, remove the LHS grommet (1), as shown below.



16. Drill out the grommet hole to Ø31mm.
17. File any rough or sharp edges and spray on rust inhibitor.



Wiring Loom Fitting Instructions
To Suit Nissan T31 X-Trail
Oct' 2007 - Onwards
Part Number 100060-WL

18. Locate and disconnect the LHS tail light connectors.
19. Patch the Trailer Harness mating connectors in between the LHS tail light assembly and the LHS tail light connectors.
20. Connect the Trailer Harness ground ring terminal to the vehicle ground point.
21. Route the Trailer Harness (P/No: 100060-WL) along the rear of the luggage compartment and towards the RHS tail light connector.
22. Locate and disconnect the RHS tail light connectors.
23. Patch the Trailer Harness mating connectors in between the RHS tail light connectors.
24. From the outside of the vehicle, mount the trailer socket to the towbar mounting bracket using M4 fasteners (not supplied).
25. Route the Tail Harness (tail length 1800mm) across the towbar towards the LHS of the vehicle and up through the previously drilled out hole.
26. Connect the Tail Harness 8-way connector to the Trailer Harness mating 8-way connector.
27. Route the Trailer Harness 'BLACK' reverse wire out through the trailer harness grommet to the outside of the vehicle.
28. Ensure the Tail Harness grommet is seated correctly and secure in place using a cable tie (not supplied).
29. Route the Trailer Harness 'BLACK' reverse wire along the rear of the vehicle and towards the vehicle reverse 2-way connector.
30. Following the table below, connect the ezy tap to the vehicle 'GREEN' reverse signal wire.

Function	Trailer Patch	Vehicle Connector
REVERSE	BLACK	GREEN

31. Connect the Trailer Harness reverse terminal to ezy tap.
32. Test the Trailer Harness function using a Light Board or multi-meter.
33. Secure all Harnesses using cables ties (not supplied).
34. Re-fit all removed parts and secure all fasteners, ensuring there are no squeaks or rattles.
35. Place the instructions in the glove box after fitment.



FITTING INSTRUCTIONS

Silent Anti-Rattle Hitch Pin (PR0001)

• These fitting instructions are supplied to ensure understanding of how the HITCH PIN should be fitted and used correctly.

• Once installed, we recommend **ALL** instructions are kept and placed in the vehicle glove box.

NOTE: Routine maintenance and inspection of the towbar & HITCH PIN is required. Regularly inspect for wear and check the tightness of the Hitch Pin. Follow instructions below to retighten the nut when necessary.

***Do not tow with your vehicle if the R CLIP or the HITCH PIN is loose or missing. Replacement parts are available from your Pro Series Distributor.**

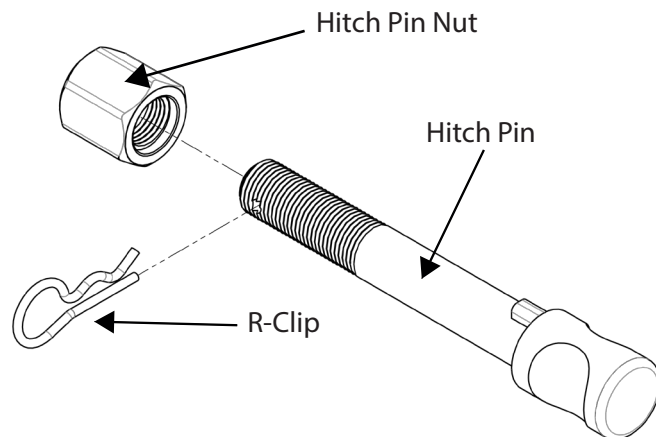


Fig 1. Silent Anti-Rattle Hitch Pin assembly

STEP 1

Insert Trailer Ball Mount (TBM) into towbar HITCHBOX, aligning hole in TBM SHANK with hole in HITCHBOX (Fig 2).

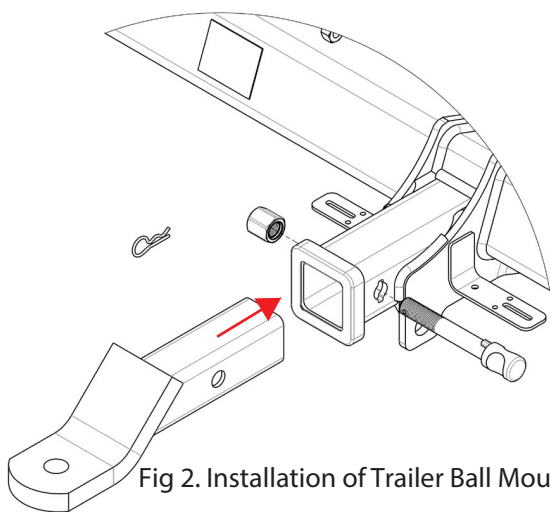


Fig 2. Installation of Trailer Ball Mount

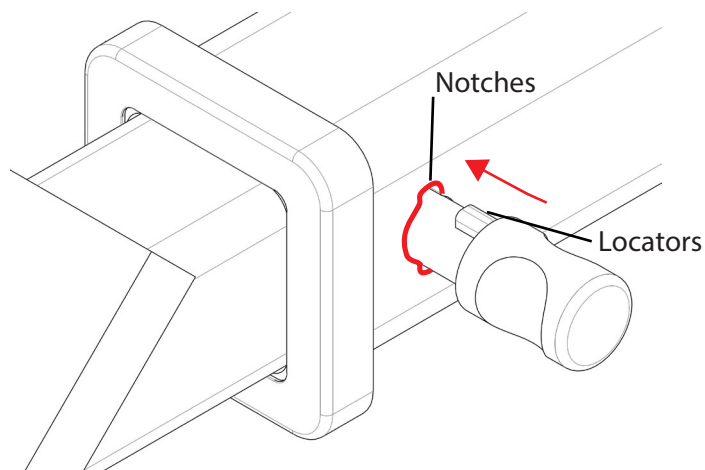


Fig 3. Silent Anti-Rattle Hitch Pin orientation

STEP 2

Insert HITCH PIN through hole in HITCHBOX and hole in TBM SHANK; ensure the LOCATORS are inserted into the NOTCHES in the HITCHBOX (Fig. 3).

STEP 3

Screw HITCH PIN NUT onto HITCH PIN ; tighten HITCH PIN NUT until finger tight, ensuring TBM is restrained from movement.

STEP 4

Tighten HITCH PIN NUT by turning nut a further 1/8th of a turn in the clockwise direction using a 24mm spanner (Fig. 4).

STEP 5

Install HITCH PIN R CLIP through the hole on the HITCH PIN (Fig. 1).

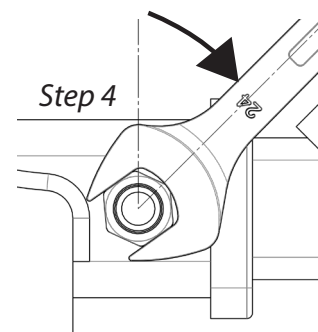


Fig 4. Tightening of Silent Anti-Rattle Hitch Pin Nut