

TRAILBOSS

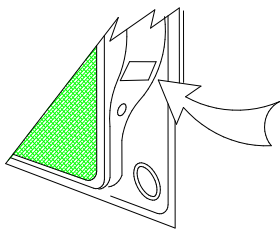
Towbar Fitting Instructions To Suit NISSAN MURANO 2008-on Part Number QTDS841L Rating 1500 kg

WARNING:

1. Do not, drill, cut, weld or otherwise modify the tow bar.
2. If you are using electric welding on a motor vehicle, **always** check that the vehicle is not equipped with electronic engine or instrument management equipment. Failure to do so could **destroy** any onboard computers. If in doubt, check with the vehicle's manufacturer.

General:

1. Ensure all hardware items have been included refer to assembly diagram.
2. It is recommended that the instructions are read through and completely understood before making any attempt to fit this product.
3. Be wary of any changes to vehicle designs or other accessories that may conflict with the installation of this product.
4. Before drilling ensure that the area is clear of fuel, electrical & other components.
5. All holes drilled into the body panels shall have all burrs & swarf removed then coated with a suitable rust preventative paint.
6. The high tensile fasteners supplied with this product were used to achieve the specified rating. If replacement is required ensure that fasteners of the same rating & quality are used. Contact an authorized **Trailboss** dealer if further information is required.
7. Ensure that all hardware is fastened to torque list below check fasteners on regular basis.
8. Tow bar load rating sticker provided with this product shall be conspicuously located on inside rear end of the driver's door. **(See diagram below).**
9. Trailboss recommends that you check your tow ball to ensure that it complies with the Australian standards **AS 4177.2**.
10. **PLEASE NOTE:** It is advised to remove your lug or tbn when not actually towing so as to produce a clear view of the vehicles registration plate if obscured, and to also provide maximum available departure angle



Place load rating sticker
inside driver's door here

FOR TOWING PURPOSES ONLY
For towing capacity details please refer to vehicle owner's manual or to the manufacturer. Overloading can void your warranties.

RECOMMENDED ASSEMBLY TORQUE LISTING

<u>Diameter</u>	<u>Grade 8.8 Bolt</u>
M6	9.5 Nm
M8	21.7 Nm
M10	43.4 Nm
M12	77.3Nm
M14	146 Nm
M16	189.8 Nm

Tow bar Maintenance and Care.

Trailboss recommends that bolt torque's, as listed below, are routinely and regularly inspected and checked for correct tension. Replace any worn or defective parts.

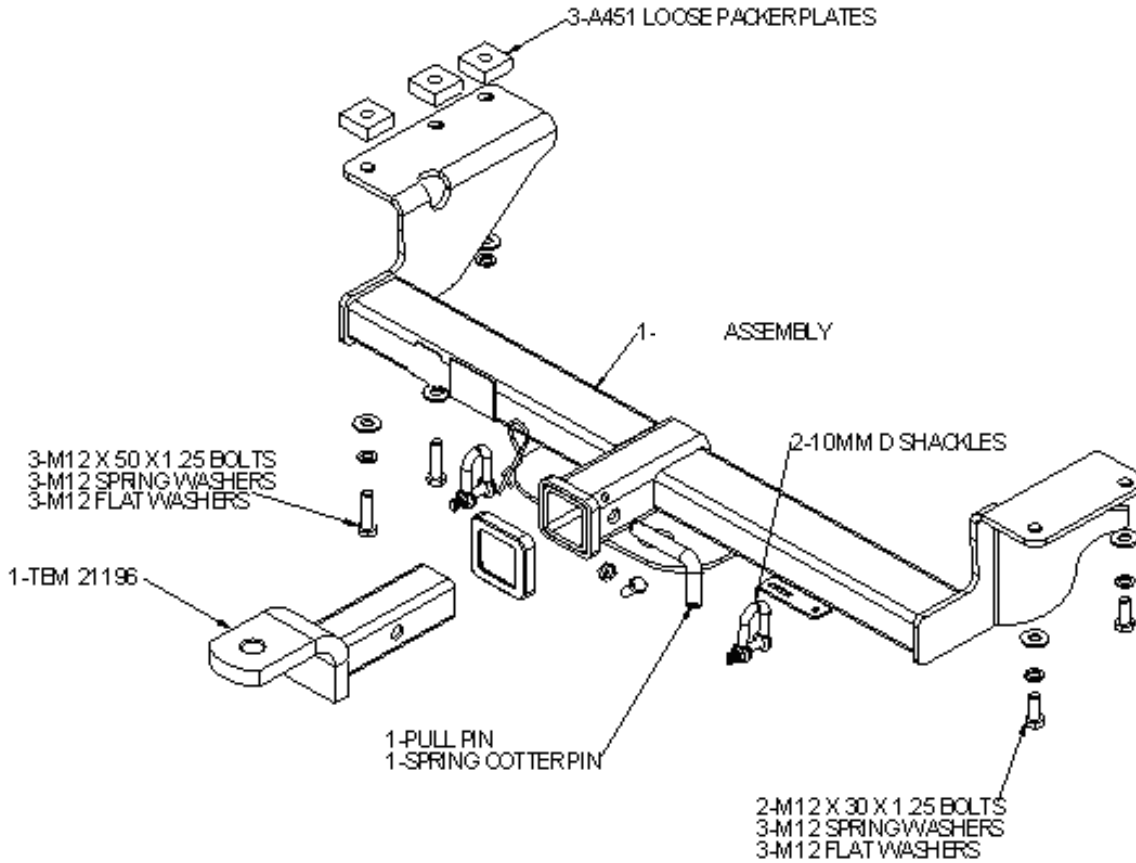
We recommended to remove Tow Ball Mounts (TBM's, tongues or lugs) when not being used for any considerable length of time.

So as to avoid injury, when not towing it is suggested that the tongue, Pull Pin and R-clip are removed then stored in a safe, clean and dry place, away from excessive moisture.

Hitch Pull Pins and spring "R" clips are regularly checked for proper installation. Replace any worn or defective parts.

TRAILBOSS

Towbar Fitting Instructions
To Suit NISSAN MURANO 2008-on
Part Number QTDS841L
Rating 1500 kg





Wiring Loom Fitting Instructions
To Suit Nissan Murano
Part Number 100130-WL

Wiring Loom Installation Instructions

Nissan Murano
Part No: 100130-WL

Tail Harness Length Required: 1800mm
RPA Override Switch Part No: 04848 (If Fitted)

Wiring Loom Installation Time: Approx 25 Mins

Wiring Loom Fitting Instructions To Suit Nissan Murano Part Number 100130-WL

1. Remove all the required trims to gain access to the vehicle LHS rear quarter of the vehicle.
2. At the LHS rear quarter area, drill a Ø31mm hole (1) into the area as indicated.



3. On the outside of the vehicle, mount the tail harness (tail length: 1800mm) to the tow bar mounting bracket using M4 fasteners (not supplied).
4. Route the tail harness underneath the vehicle to the LHS rear quarter drilled out hole ensuring the harness is kept clear of the exhaust.
5. Adjust and secure the tail harness grommet into place using a cable tie (not supplied) ensuring the grommet is seated correctly.
6. Inside the vehicle, connect the tail harness to the trailer patch harness (P/No: 100130-WL).
7. Route the trailer patch harness towards the brown LHS break out connector. Route the trailer patch harness connector up through the sheet metal cavity and behind the sponge. Connect the trailer patch harness to the brown break-out connector.
8. On the outside, secure the harness to the towbar using cable ties (not supplied).
9. Test the Trailer socket using a light board or multi-meter.
10. Secure the all harnesses using cables ties (not supplied).
11. Refit all removed parts and secure all fasteners.
12. Place instructions in glove box after fitment.