

TRAILBOSS

Towbar Fitting Instructions
To Suit **FORD TRANSIT VO CAB CHASSIS 09/2014 ONWARD**
Part Number **QTFD1906L**
Rating **3500/300 kg**

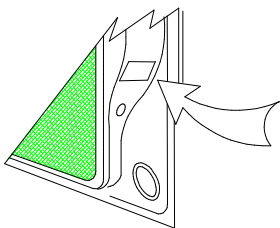
PLACE THESE INSTRUCTIONS IN THE VEHICLE'S GLOVEBOX AFTER INSTALLATION IS COMPLETED

WARNING:

1. Do not, drill, cut, weld or otherwise modify the tow bar.
2. If you are using electric welding on a motor vehicle, **always** check that the vehicle is not equipped with electronic engine or instrument management equipment. Failure to do so could **destroy** any onboard computers. If in doubt, check with the vehicle's manufacturer.
3. The high tensile fasteners supplied with this product were used to achieve the specified rating. If replacement is required ensure that fasteners of the same rating & quality are used. Contact an authorised **Trailboss** dealer if further information is required.
4. If TBM is used in inverted position tow ball may make contact with rear tailgate when lowered, which could cause damage.

General:

1. Ensure all hardware items have been included refer to assembly diagram.
2. It is recommended that the instructions are read through and completely understood before making any attempt to fit this product.
3. Be wary of any changes to vehicle designs or other accessories that may conflict with the installation of this product.
4. Before drilling ensure that the area is clear of fuel, electrical & other components.
5. All holes drilled into the body panels shall have all burrs & swarf removed then coated with a suitable rust preventative paint.
6. For vehicles that require the bumper to be cut. Ensure cut out area is in correct position on the vehicle prior to cutting the bumper.
7. The high tensile fasteners supplied with this product were used to achieve the specified rating. If replacement is required ensure that fasteners of the same rating & quality are used. Contact an authorized **Trailboss** dealer if further information is required.
8. Ensure that all hardware is fastened to torque list below check fasteners on regular basis.
9. Tow bar load rating sticker provided with this product shall be conspicuously located on inside rear end of the driver's door. **(See diagram below).**
10. Trailboss recommends that you check your tow ball to ensure that it complies with the Australian standards **AS 4177.2**.
11. **PLEASE NOTE:** It is advised to remove your lug or tbn when not actually towing so as to produce a clear view of the vehicles registration plate if obscured, and to also provide maximum available departure angle
12. Pull Pin must be fit in down position.



Place load rating sticker
inside driver's door here

FOR TRAILER TOWING PURPOSES ONLY
For towing capacity details please refer to vehicle owner's manual or to the manufacturer. Overloading can void your warranties.

RECOMMENDED ASSEMBLY TORQUE LISTING

Diameter	Grade 8.8 Bolt
M6	9.5 Nm
M8	21.7 Nm
M10	43.4 Nm
M12	77.3Nm
M14	146 Nm
M16	189.8 Nm

Tow bar Maintenance and Care.

Trailboss recommends that bolt torque's, as listed below, are routinely and regularly inspected and checked for correct tension. Replace any worn or defective parts.

We recommended to remove Tow Ball Mounts (TBM's, tongues or lugs) when not being used for any considerable length of time.

So as to avoid injury, when not towing it is suggested that the tongue, Pull Pin and R-clip are removed then stored in a safe, clean and dry place, away from excessive moisture.

Hitch Pull Pins and spring "R" clips are regularly checked for proper installation. Replace any worn or defective parts.

TRAILBOSS

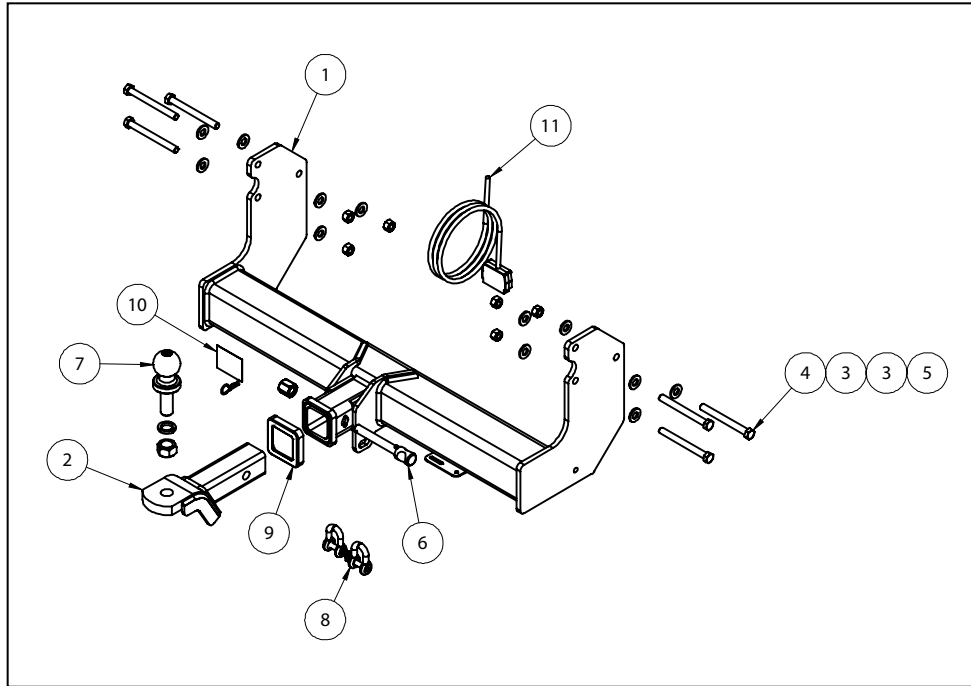
Towbar Fitting Instructions

To Suit **FORD TRANSIT VO CAB CHASSIS 09/2014 ONWARD**

Part Number **QTFD1906L**

Rating **3500/300 kg**

PLACE THESE INSTRUCTIONS IN THE VEHICLE'S GLOVEBOX AFTER INSTALLATION IS COMPLETED



QTY.	DESCRIPTION	ITEM NO.
1	TOWBAR WELDED ASSEMBLY	1
1	TBM	2
12	WASHER FLAT 1/2"x1 1/8"x1/8	3
6	BOLT M12-1.75x120 GR8.8	4
6	HEX NUT M12x1.75 PC8	5
1	ANTI-RATTLE PULL PIN ASSY	6
1	50mm TOWBALL	7
2	10mm "D" SHACKLE	8
1	HITCH BOX COLLAR COVER	9
1	ACRYLIC CP	10
1	WIRINGR LOOM	11



Towbar Fitting Instructions
To Suit **FORD TRANSIT VO CAB CHASSIS 09/2014 ONWARD**
Part Number **QTFD1906L**
Rating **3500/300 kg**

PLACE THESE INSTRUCTIONS IN THE VEHICLE'S GLOVEBOX AFTER INSTALLATION IS COMPLETED

INSTRUCTION:

1. Remove and discard 6x Bolts from chassis rail, complete with flanged Nuts.
2. Offer Towbar to the vehicle; loosely secure Towbar using 6x M12x120 Bolts, complete with 2x Flat Washers and 1x Nut per Bolt.

Tighten all fasteners to toques specified on page 1 of these fitting instructions.



Wiring Loom Fitting Instructions
To Suit Ford Transit Cab Chassis VO
Part Number 101289-WL

Wiring Loom Installation Instructions

Ford Transit Cab Chassis VO
Part No: 101289-WL

Tail Length Required: 400mm

ECU Required Part No: WLT030

Wiring Loom Installation Time: Approx 30 Mins

Important



Due to possible vehicle variations, always confirm any noted vehicle colour wires with a multi-meter to ensure the correct function is identified before soldering or scotch locking.



Wiring Loom Fitting Instructions
To Suit Ford Transit Cab Chassis VO
Part Number 101289-WL

1. Underneath the vehicle, locate and disconnect the LHS rear quarter chassis rail rear facing tail light connector and patch the trailer patch (P/No: 101289-WL) connectors in between.
2. Route the trailer patch harness underneath the chassis and up to the towbar.
3. Secure the ECU to the tray rear chassis using cable ties (not supplied). Bundle up any excess harnesses and secure to the same rear chassis where suitable using cable ties (not supplied). **Ensure the ECU is mounted to the vehicle with the connector pointing downwards.**
4. Connect the trailer patch ECU connector to the ECU.
5. Secure the trailer patch ground ring terminal to towbar at a suitable location using a tek screw (not supplied).
6. Solder the trailer patch ORANGE power wire to the vehicle harness black connector BLUE / RED power wire).

Function	Trailer Patch	Vehicle Connector
POWER	ORANGE	BLUE / RED

7. At the rear exterior of the vehicle, mount the tail harness socket to the towbar mounting bracket using M4 fasteners (not supplied).
8. Route the tail harness (tail length: 400mm) across the towbar and up to the trailer patch mating connector
9. Connect the tail harness 8-way connector to the trailer harness mating 8-way connector.
10. Test the body harness using a light board or multi-meter.
11. Secure all harnesses using cables ties (not supplied).
12. Re-fit all removed parts and secure all fasteners.
13. Place instructions in glove box after fitment.



FITTING INSTRUCTIONS

Silent Anti-Rattle Hitch Pin (PR0001)

• These fitting instructions are supplied to ensure understanding of how the HITCH PIN should be fitted and used correctly.

• Once installed, we recommend **ALL** instructions are kept and placed in the vehicle glove box.

NOTE: Routine maintenance and inspection of the towbar & HITCH PIN is required. Regularly inspect for wear and check the tightness of the Hitch Pin. Follow instructions below to retighten the nut when necessary.

***Do not tow with your vehicle if the R CLIP or the HITCH PIN is loose or missing. Replacement parts are available from your Pro Series Distributor.**

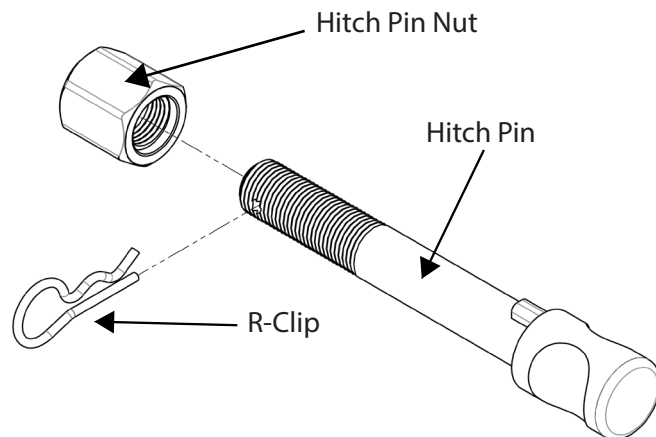


Fig 1. Silent Anti-Rattle Hitch Pin assembly

STEP 1

Insert Trailer Ball Mount (TBM) into towbar HITCHBOX, aligning hole in TBM SHANK with hole in HITCHBOX (Fig 2).

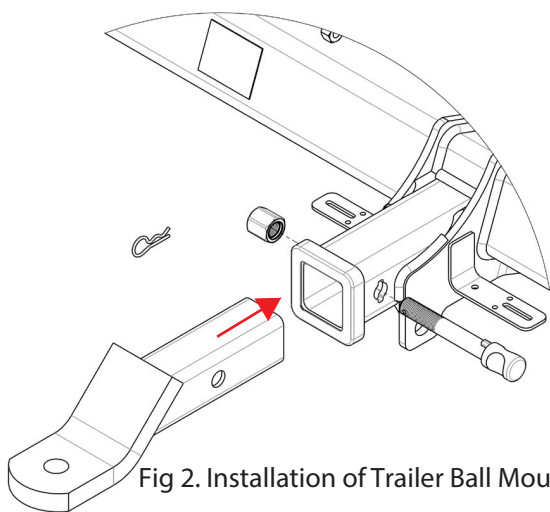


Fig 2. Installation of Trailer Ball Mount

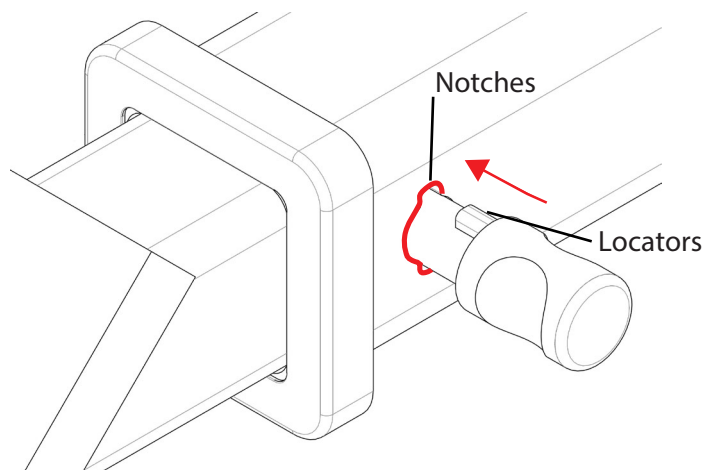


Fig 3. Silent Anti-Rattle Hitch Pin orientation

STEP 2

Insert HITCH PIN through hole in HITCHBOX and hole in TBM SHANK; ensure the LOCATORS are inserted into the NOTCHES in the HITCHBOX (Fig. 3).

STEP 3

Screw HITCH PIN NUT onto HITCH PIN; tighten HITCH PIN NUT until finger tight, ensuring TBM is restrained from movement.

STEP 4

Tighten HITCH PIN NUT by turning nut a further 1/8th of a turn in the clockwise direction using a 24mm spanner (Fig. 4).

STEP 5

Install HITCH PIN R CLIP through the hole on the HITCH PIN (Fig. 1).

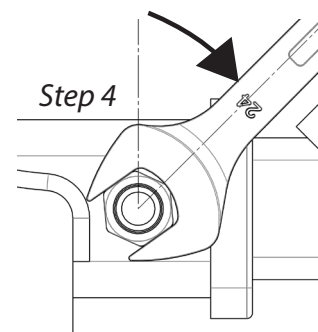


Fig 4. Tightening of Silent Anti-Rattle Hitch Pin Nut