

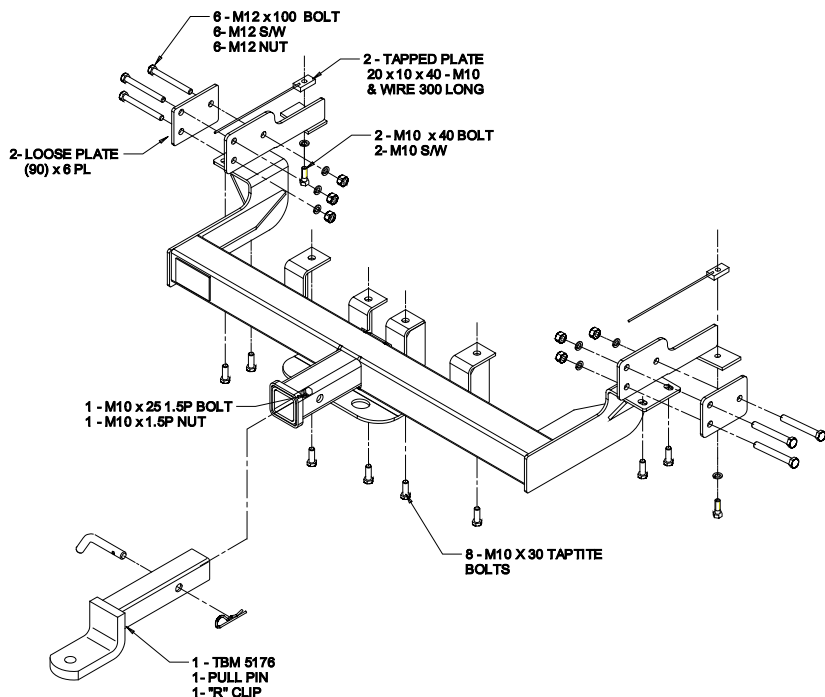


Towbar Fitting Instructions
 To Suit Fast **FORD AU CAB CHASSIS WITH 8" TRAY 7/ 99-ON**
 Part Number QTFD981L
 Rating 2300Kg

1. Ensure all hardware items have been included.
2. Remove spare wheel.
3. Remove exhaust from three rear most rubber hangers.
4. Lift towbar into position and fit six M12 x 100 bolts, loose plates through chassis and towbar loosely. (additional loose plates maybe required to fit between sidearm and chassis rail to allow for vehicle variation)
5. Fit eight M10 x 30 taptite bolts through towbar and into vertical holes in under side of chassis rail and rear cross member.
6. Tighten all taptite bolts to torque listing.
7. Tighten six M12 x 100 bolts to torque listing. **Ensure bolts are not over tightened as chassis rails may crush**
8. Using holes in tail mounting plate as guide drill 11mm hole.
9. Fit tapped plate on wire through larger hole forward of hole drilled, fit bolt and torque to listing.
10. Refit exhaust and spare wheel.

RECOMMENDED ASSEMBLY TORQUE LISTING

<u>Diameter</u>	<u>Grade 8.8 Bolt</u>
	<u>Nm</u>
M6	9.5
M8	21.7
M10	43.4
M12	77.3
M14	121.0
M16	189.8





Wiring Loom Fitting Instructions
To Suit Ford
AU/BA/BF/FG (tug body) XR6/XR8
Falcon AU Cab Chassis (July 1999 onwards)
Falcon AU Cab Chassis (8ft tray)
Falcon Ute Tub Body AU – FG
RTV Cab Chassis & Tub Body

Wiring Loom Installation Instructions

Ford
Part No: 100023-WL

Tail Harness Length Required: 1200mm
RPA Override Switch Part No: 04848 (If Fitted)

Wiring Loom Installation Time: Approx 10 Mins



Wiring Loom Fitting Instructions
To Suit Ford

AU/BA/BF/FG (tug body) XR6/XR8
Falcon AU Cab Chassis (July 1999 onwards)
Falcon AU Cab Chassis (8ft tray)
Falcon Ute Tub Body AU – FG
RTV Cab Chassis & Tub Body

1. Locate the vehicle 8-way Breakout connector underneath the rear of the vehicle.
2. Connect the Trailer Harness Patch (P/N 100023-WL) connector to the 8-way Breakout connector.
3. Secure the Trailer Socket to the vehicle with M4 Fasteners.
4. Connect the Tail Harness (Length 1200mm) to the Trailer Harness Patch.
5. Bundle the excess Tail Harness length up and secure to the existing vehicle harnesses with cable ties (not supplied).
6. Test the Tail Harness socket using a light board or multimeter.
7. Secure the all harnesses using cables ties (not supplied).
8. Refit all removed parts and secure all fasteners.
9. Place instructions in glove box after fitment.