

# TRAILBOSS

Towbar Fitting Instructions  
To Suit **HOLDEN COLORADO 7 01/2013**  
Part Number **QTHD615L**  
Rating **3000/300 kg**

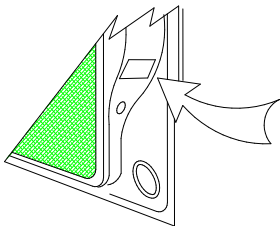
PLACE THESE INSTRUCTIONS IN THE VEHICLE'S GLOVEBOX AFTER INSTALLATION IS COMPLETE

## WARNING:

1. Do not, drill, cut, weld or otherwise modify the tow bar.
2. If you are using electric welding on a motor vehicle, **always** check that the vehicle is not equipped with electronic engine or instrument management equipment. Failure to do so could **destroy** any onboard computers. If in doubt, check with the vehicle's manufacturer.
3. The high tensile fasteners supplied with this product were used to achieve the specified rating. If replacement is required ensure that fasteners of the same rating & quality are used. Contact an authorised **Trailboss** dealer if further information is required.

## General:

1. Ensure all hardware items have been included refer to assembly diagram.
2. It is recommended that the instructions are read through and completely understood before making any attempt to fit this product.
3. Be wary of any changes to vehicle designs or other accessories that may conflict with the installation of this product.
4. Before drilling ensure that the area is clear of fuel, electrical & other components.
5. All holes drilled into the body panels shall have all burrs & swarf removed then coated with a suitable rust preventative paint.
6. For vehicles that require the bumper to be cut. Ensure cut out area is in correct position on the vehicle prior to cutting the bumper.
7. The high tensile fasteners supplied with this product were used to achieve the specified rating. If replacement is required ensure that fasteners of the same rating & quality are used. Contact an authorized **Trailboss** dealer if further information is required.
8. Ensure that all hardware is fastened to torque list below check fasteners on regular basis.
9. Tow bar load rating sticker provided with this product shall be conspicuously located on inside rear end of the driver's door. **(See diagram below)**.
10. Trailboss recommends that you check your tow ball to ensure that it complies with the Australian standards **AS 4177.2**.
11. **PLEASE NOTE:** It is advised to remove your lug or tbm when not actually towing so as to produce a clear view of the vehicles registration plate if obscured, and to also provide maximum available departure angle
12. Pull Pin must be fit in down position.



Place load rating sticker  
inside driver's door here

**FOR TRAILER TOWING PURPOSES ONLY**  
For towing capacity details please refer to vehicle owner's manual or to the manufacturer. Overloading can void your warranties.

### RECOMMENDED ASSEMBLY TORQUE LISTING

Diameter	Grade 8.8 Bolt
M6	9.5 Nm
M8	21.7 Nm
M10	43.4 Nm
M12	77.3Nm
M14	146 Nm
M16	189.8 Nm

## Tow bar Maintenance and Care.

Trailboss recommends that bolt torque's, as listed below, are routinely and regularly inspected and checked for correct tension. Replace any worn or defective parts.

We recommended to remove Tow Ball Mounts (TBM's, tongues or lugs) when not being used for any considerable length of time.

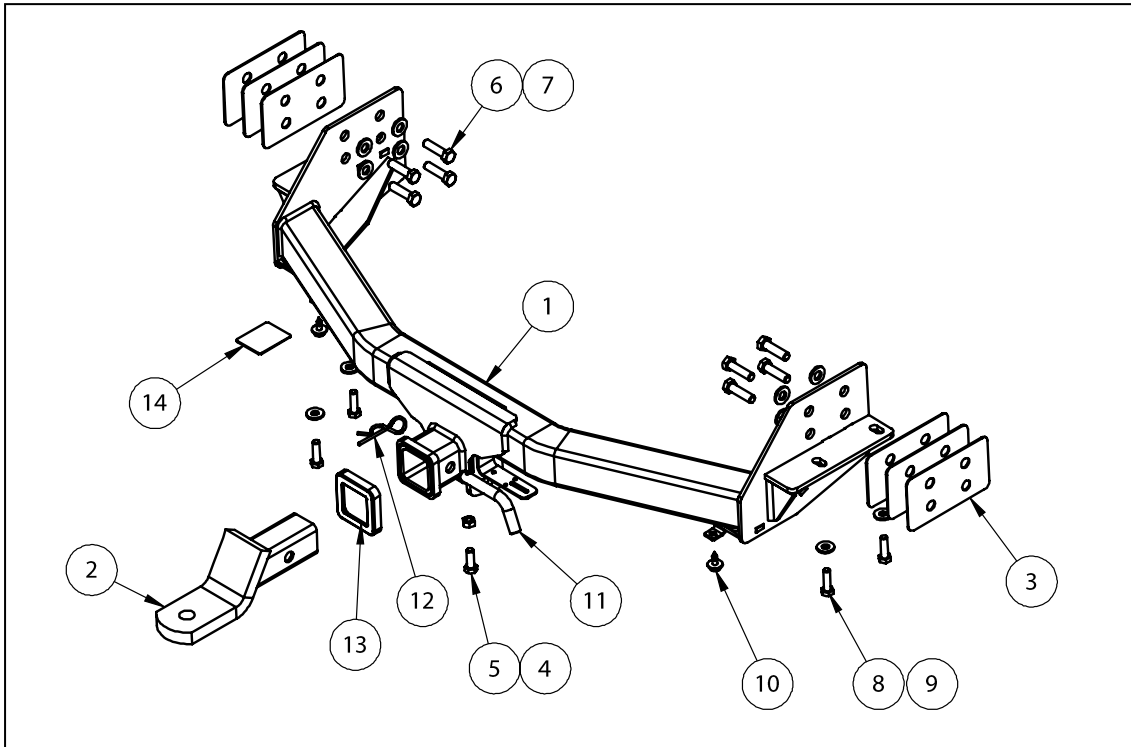
So as to avoid injury, when not towing it is suggested that the tongue, Pull Pin and R-clip are removed then stored in a safe, clean and dry place, away from excessive moisture.

Hitch Pull Pins and spring "R" clips are regularly checked for proper installation. Replace any worn or defective parts.

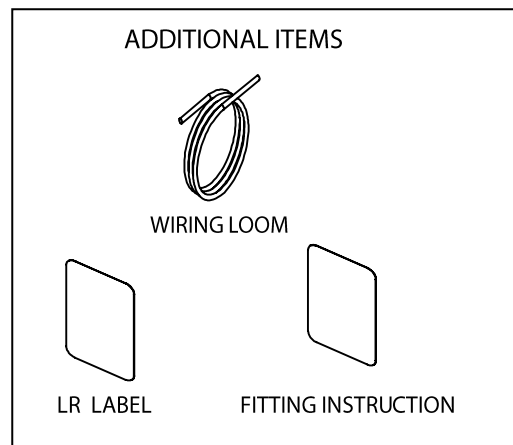
# TRAILBOSS

Towbar Fitting Instructions  
 To Suit **HOLDEN COLORADO 7 01/2013**  
 Part Number **QTHD615L**  
 Rating **3000/300 kg**

PLACE THESE INSTRUCTIONS IN THE VEHICLE'S GLOVEBOX AFTER INSTALLATION IS COMPLETE



QTY	DESCRIPTION	ITEM NO
1	WELDED ASSEMBLY	1
1	CLASS 4 TBM	2
6	SHIM 2mm	3
1	HEX NUT M10x1.5	4
1	SET SCREW HEX HD M10x30x1.5P	5
8	SET SCREW M12x45x1.25P	6
8	WASHER FLAT 1/2"x1 1/8"x1/8"	7
4	SET SCREW HEX HD M10x35x1.25P	8
4	WASHER FT M10x25.4 x3	9
2	SKRIVET - 010-0175	10
1	PULL PIN	11
1	R CLIP	12
1	HITCH BOX COLLAR COVER	13
1	ACRYLIC COMPLIANCE PLATE	14





Towbar Fitting Instructions  
To Suit **HOLDEN COLORADO 7 01/2013**  
Part Number **QTHD615L**  
Rating **3000/300 kg**

PLACE THESE INSTRUCTIONS IN THE VEHICLE'S GLOVEBOX AFTER INSTALLATION IS COMPLETE

**INSTRUCTION:**

1. Remove 3x Screws from inside Rear Wheel well, repeat for opposite side of vehicle.
2. At bottom of Bumper, remove 3x Scrivets. One each from Driver side, Passenger side and centre of Bumper.
3. Carefully raise the 2x Screw Covers on Rear Tail Light. Unscrew the 2x Screws revealed underneath then remove the Tail Light, disconnecting the cable. Store Tail Light in safe place.

Remove the Screw connecting the Bumper to the vehicle. Located below the Tail Light.

Repeat for opposite side of vehicle.

4. Carefully remove Bumper from vehicle and store in safe place. Ensure Rear Parking Sensor Cables and Rear Right Cables are disconnected.

Disconnect the 3x Bumper Tabs from vehicle and discard.

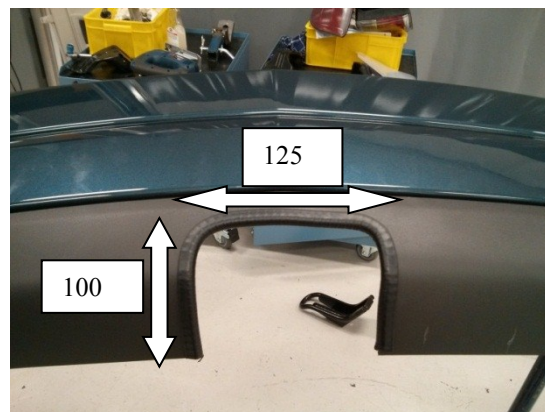
Lower the Tire, if access to centre Bumper tab is obstructed by Spare Tire.

5. Disconnect the Shipping Hook from the vehicle and discard.
6. Offer Towbar to vehicle, using Shim Plates (Item No: 3) supplied to ensure a snug fit between the Side Plates and Chassis Rail.

Use Horizontal Bolts first to help position the Towbar.

Tighten the Bolts to the recommended specifications listed on page 2. Ensure that the vertical Bolts are tightened first, then Horizontal Bolts.

7. From the centre of the Bumper, use appropriate tools to create a Bumper Cut. Make a cut 125mm wide, and a length of 100mm following the surface, starting from the bottom of the Bumper. Use the pinch weld supplied to cover over the cut.





Wiring Loom Fitting Instructions  
To Suit Holden Colorado 7  
Part Number 100919-WL

**Wiring Loom Installation Instructions**

**Holden Colorado 7  
Part No: 100919-WL**

**Tail Harness Length Required: 1800mm**

**ECU Required: 04826**

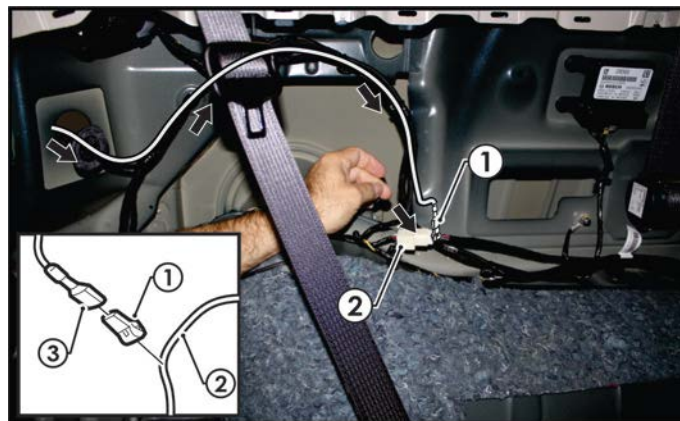
**Wiring Loom Installation Time: Approx 45 Mins**

## Wiring Loom Fitting Instructions To Suit Holden Colorado 7 Part Number 100919-WL

1. On the rear of the vehicle, remove the two tail lights, by first removing the four screws.
2. Remove the luggage compartment parcel shelf.
3. Remove the rear luggage compartment trim.
4. On the LHS rear passenger seat, remove the four bolts.
5. Remove the rear passenger seat.

**Repeat steps 4 & 5 for the RHS.**

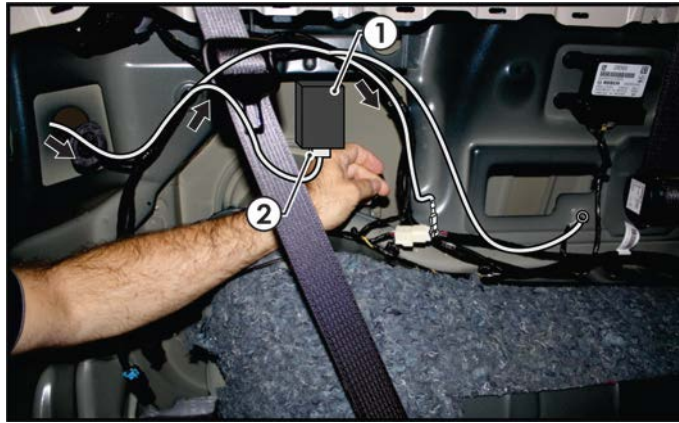
6. Remove the LHS passenger door sill trim.
7. On the LHS of the luggage compartment, remove the two screws from the LHS trim.
8. Remove the LHS luggage compartment trim by first disconnecting the light connector and the 12v accessory connector.
9. Remove the LHS existing vehicle tail light grommet and pull harness through the hole until the tail light connectors are exposed.
10. Disconnect the vehicle tail light connectors and connect the trailer patch connectors in between.
11. Feed the trailer patch back through the tail light cavity and firmly secure the trailer patch grommet into place.
12. **Waterproof the exposed 4-way trailer patch connector and 4-way tail light assembly connector using silicone or grease & electrical tape.**
13. On the LHS of the luggage compartment, route the trailer patch reverse wire (1) towards the vehicle break out connector (2).
14. Following the table below, scotch lock the 'BLACK / WHITE' reverse wire (1) to the existing vehicle 'GREEN / WHITE' wire (3).



## Wiring Loom Fitting Instructions To Suit Holden Colorado 7 Part Number 100919-WL

15. Secure the trailer patch grommet back into the grommet cavity.
16. Route the trailer patch across the rear towards the centre of the vehicle.
17. On the LHS of the luggage compartment, connect the trailer patch ground ring terminal to the vehicle grounding point in a suitable location.
18. Inside the luggage compartment access panel, apply double sided tape to the ECU (1) and secure it to the vehicle sheet metal in the area shown.
19. Connect the trailer patch 12-way connector (2) to the ECU.

**Note: Ensure ECU connector is facing downwards.**



20. Route the trailer patch towards the RHS tail light.
21. Remove the RHS existing vehicle tail light grommet and pull harness through the hole until the tail light connectors are exposed.
22. Disconnect the vehicle tail light connectors and connect the trailer patch connectors in between.
23. Feed the trailer patch back through the tail light cavity and firmly secure the trailer patch grommet into place.
24. Waterproof the exposed 4-way trailer patch connector and 4-way tail light assembly connector using silicone or grease & electrical tape.
25. Route the power harness from the positive terminal on the vehicle battery towards the rear of the vehicle.

**Note: Do not connect the power harness ring terminal to the battery at this stage.**

26. Continue to route the power harness along the chassis rail towards the rear of the vehicle.

**Note: Ensure to route away from any moving parts or heat sources.**



Wiring Loom Fitting Instructions  
To Suit Holden Colorado 7  
Part Number 100919-WL

27. On the rear of the vehicle, connect the 1-way male power harness connector to its mating vehicle connector.
28. Mount the trailer socket to the tow bar mounting bracket using M4 fasteners (not supplied).
29. Route the tail harness across the tow bar towards the RHS of the vehicle and up through the previously drilled out hole.
30. Ensure the tail harness grommet is seated correctly and secure in place using a cable tie (not supplied).
31. Connect the tail harness 8-way connector to the trailer patch 8-way mating connector.
32. Connect the power harness positive terminal to the battery.
33. Test the trailer wiring harness function using a light board or multimeter.
34. Secure all harnesses using cable ties (not supplied).
35. Re-fit all removed parts and secure all fasteners, ensuring there are no squeaks or rattles.
36. Place the fitting instructions in the glove box after fitment.