



**Towbar Fitting Instructions**  
**To Suit HOLDEN COMMODORE VN/P/R/S VS WITHOUT IRS 89-7/97**  
**Part Number QTHD710**  
**Rating 2100Kg**

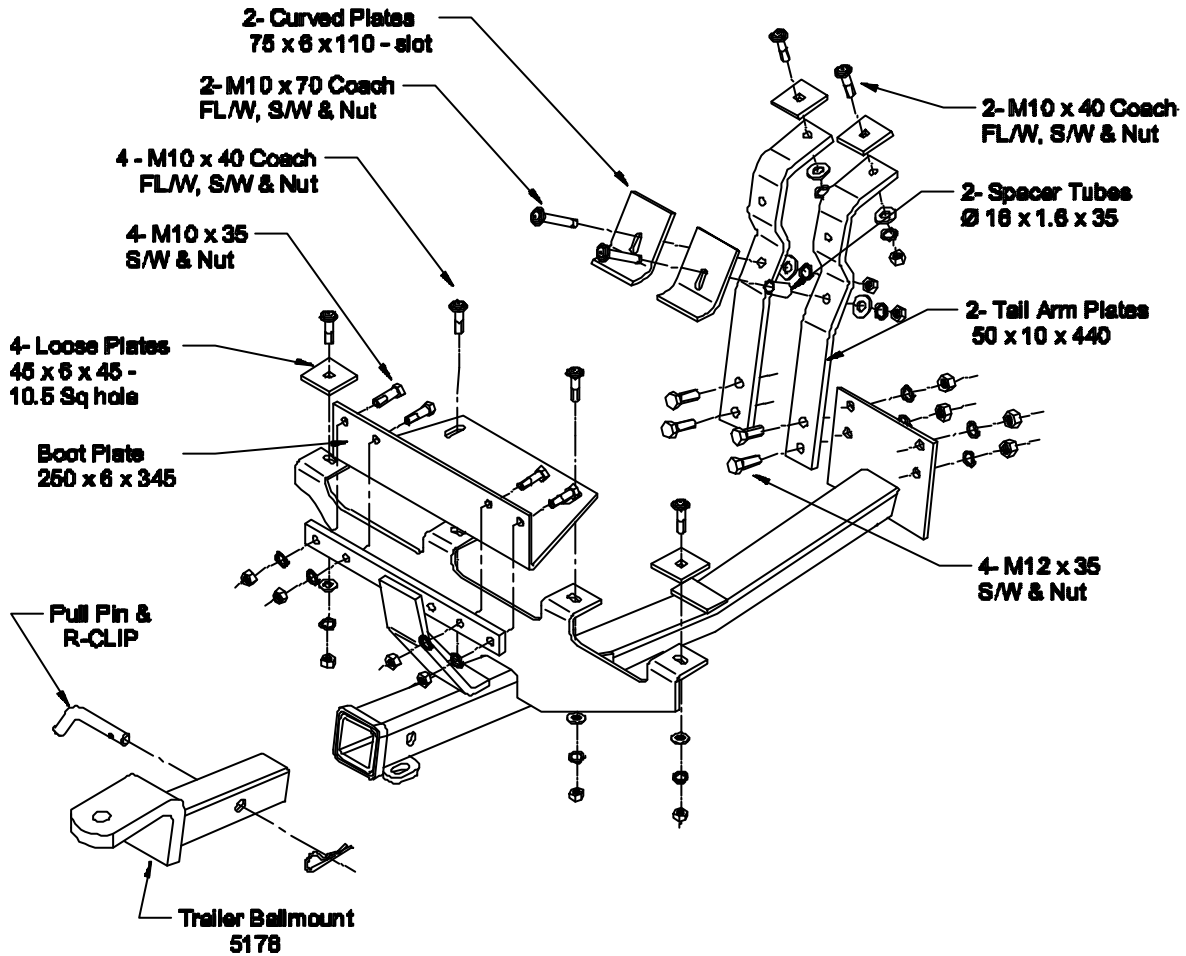
**NOTE:**           **It is recommended that a boot support kit be installed in conjunction with the above towbar.**

1. Ensure all hardware items have been included.
2. Remove carpet and trim where fitted.
3. Remove bumper bar assembly.
4. Remove metal bumper insert and cut as per diagram (VR Commodore only).
5. Remove a small section of sound proofing material from front vertical panel of boot floor approximately 50mm either side of centre rib and 40mm up from floor, which will expose two depressions in the panel similar to centre punch marks, drill these positions 11mm.
6. From inside boot, fit 2M10x70 coach bolts through small curved loose plates and holes previously drilled in panel.
7. From underneath car, fit spacer tubes over coach bolts and into holes in boot crossmember and loosely fit front support arms.
8. Raise towbar into position so mounting plates sit against rear panel and floor.
9. Support with a suitable jack.
10. Fit 4-M12x35 bolts through front support arms to towbar, do not tighten.
11. Using holes in towbar rear crossmember as guides, drill four 11mm holes through boot floor, fit 4M10x40 coach bolts with loose plates in outer holes and large bent loose plate to inner holes.
12. Using four rearmost holes in towbar as guides, drill 11mm holes through rear panel to align with large bent loose plate in boot and fit 4-M10x35 bolts.
13. From underneath vehicle, using remaining holes in front support arms as guides drill two 11mm holes through boot floor.
14. Fit 2-M10x40 coach bolts and loose plates.
15. Tighten all bolts.
16. Refit metal bumper insert.
17. Refit carpet and trim.

**RECOMMENDED ASSEMBLY TORQUE LISTING**

<b><u>Diameter</u></b>	<b><u>Grade 8.8 Bolt</u></b>
	<b>Nm</b>
M6	9.5
M8	21.7
M10	43.4
M12	77.3
M14	121.0
M16	189.8

Towbar Fitting Instructions  
 To Suit HOLDEN COMMODORE VN/P/R/S VS WITHOUT IRS 89-7/97  
 Part Number QTHD710  
 Rating 2100Kg





Towbar Fitting Instructions  
To Suit HOLDEN COMMODORE VN/P/R/S VS WITHOUT IRS 89-7/97  
Part Number QTHD710  
Rating 2100Kg

### METAL - BUMPER INSERT

