

**PRODUCT DETAILS:**

<b>Part Number:</b>	QTHV01L	<b>Maximum Towing Braked:</b>	2500	kg
<b>ECU Number:</b>	04836	<b>Maximum Towing Unbraked:</b>	750	kg
<b>Tail Harness Length Required:</b>	400 mm	<b>Maximum Static Ball Load:</b>	250	kg
<b>TBM/Lug Part Number:</b>	21344			

**FITTING DETAILS:**

<b>Towbar Installation Time:</b>	75 Mins.	<b>RPA Disable/Other:</b>	YES
<b>Total Installation Time:</b>	120 Mins.		
<b>Bumper Cut Required:</b>	Yes		

**Note:**

- RPA disable switch near transmission lever

### TRAILBOSS RECOMMENDS THAT INSTRUCTIONS ARE READ AND UNDERSTOOD COMPLETELY PRIOR TO FITMENT.

#### BEFORE YOU START:

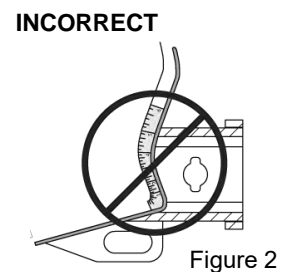
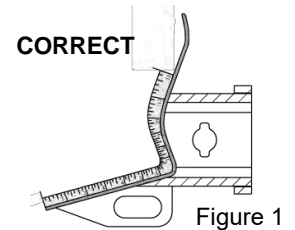
Check all hardware items have been included refer to assembly diagram.  
Please ensure this towbar is only fitted to vehicle models as per Trailboss application guide.

#### Bumper Cuts

Vehicle and bumper variations can and do occur during vehicle manufacture after initial towbar design. Fitment of towbar to vehicle and accuracy of bumper cut must be assessed prior to any bumper modifications made. Incorrect bumper cuts are not covered under Trailboss warranty.

**NOTE: Bumper cuts need to be approached with care, refer to notes below.**

- Bumper centreline – where the centreline of the bumper needs to be determined, the installer must assess centre point by measurement of bumper width or determining two symmetrical reference points to give centreline.
- Bumper edge – To assist with accurate bumper cut measurement, reference to the start of the bumper edge is now being commonly used.
  - Measure from bottom edge along bumper and around corner to the 70 mm point (Figure 1).
  - Do not measure from visible bumper front of corner, upwards (Figure 2).



#### Drilling

- For any required drilling during installation, ensure that the area is clear of fuel, electrical & other components that may be damaged.
- All holes drilled into metal body panels shall have all burrs & swarf removed then coated with a suitable rust preventative paint.

#### Bolts/Fasteners

- Ensure that all hardware is fastened to correct torque as specified in this fitting instruction.
- All fasteners supplied with this product are used to achieve a specified clamp loading. If replacement is required ensure that fasteners of the same grade and class are used.

**NOTE: Achieving correct torque is critical to proper installation and responsibility of the installer. Towbar failures attributed to tension issues from over tightening or under tightening are not covered by Trailboss warranty.**

#### Product Labels

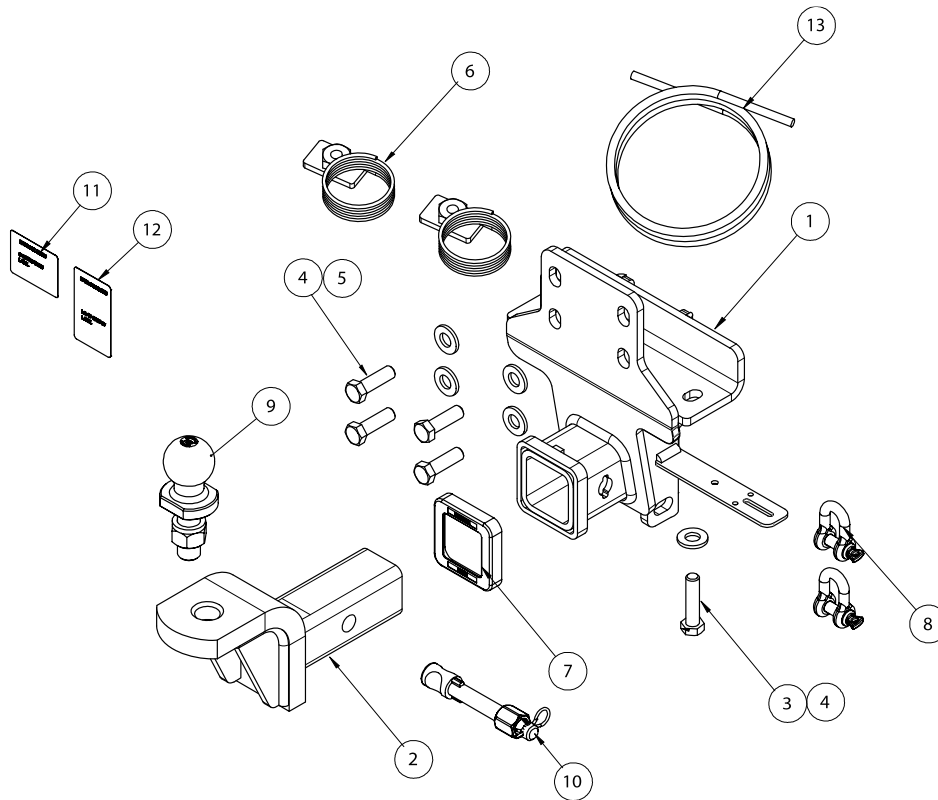
- a. Towbar load rating sticker provided with this product shall be conspicuously located on inside rear end of the driver's door.

#### WARNING:

**Do not, drill, cut, weld or otherwise modify the towbar.**

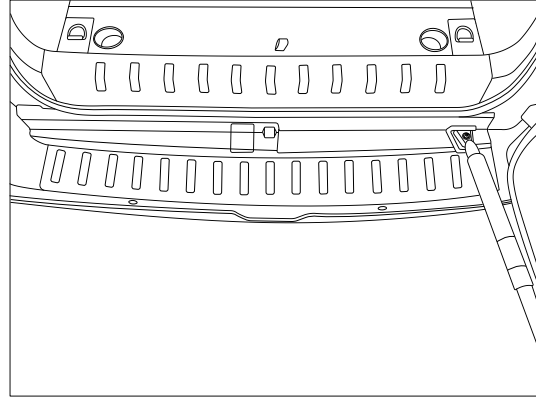
**FOR TOWING PURPOSES ONLY - This towbar is designed and tested by Trailboss to adhere to ADR 62/02 which provides only for the expected load demands of towing.**

### **i** TOWBAR ASSEMBLY DIAGRAM

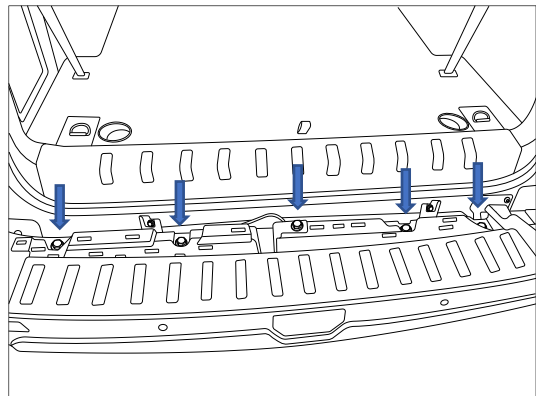


ITEM	DESCRIPTION	QTY
1	WELDED ASSEMBLY	1
2	TRAILER BALL MOUNT	1
3	BOLT HEX HD M12x50x1.75P	2
4	WASHER PLAIN 1/2"	6
5	BOLT HEX HD M12x40x1.25P	4
6	NUT PLATE WELDMENT	2
7	HITCH BOX COLLAR COVER	1
8	"D" SHACKLE 10mm	2
9	TOWBALL 50mm	1
10	SMART PIN SILVER	1
11	COMPLIANCE LABEL	1
12	LOAD RATING LABEL	1
13	WIRE LOOM	1

1. Open the tailgate.  
Remove the step cover.

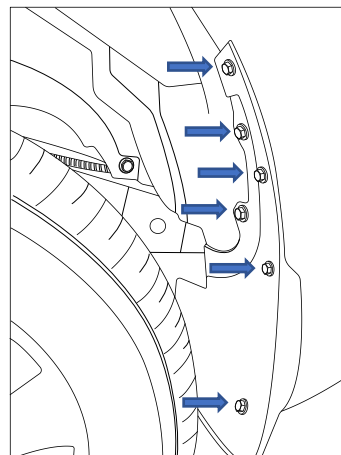


2. Remove 5x screws on the step.



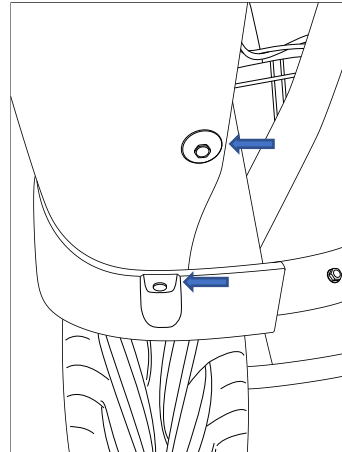
3. Remove 6x screws on the mud flap.

Repeat for other side.

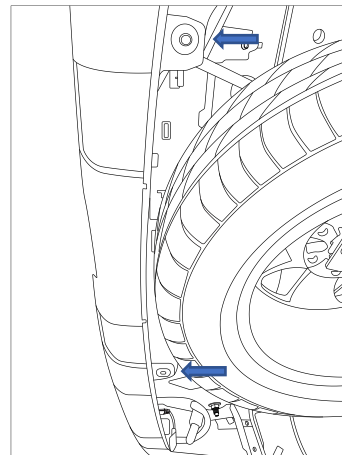


- 
4. Remove 1x scrivet clip and 1x screw behind the mud flap.

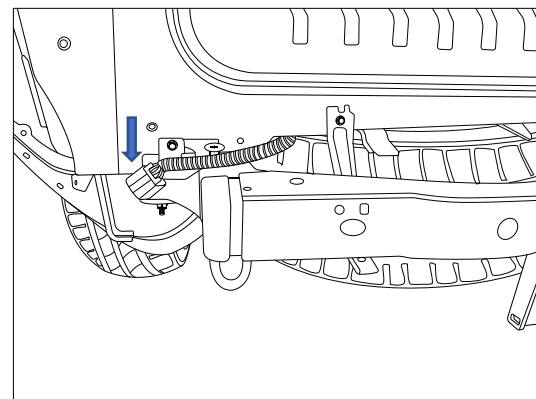
Repeat for the other side.



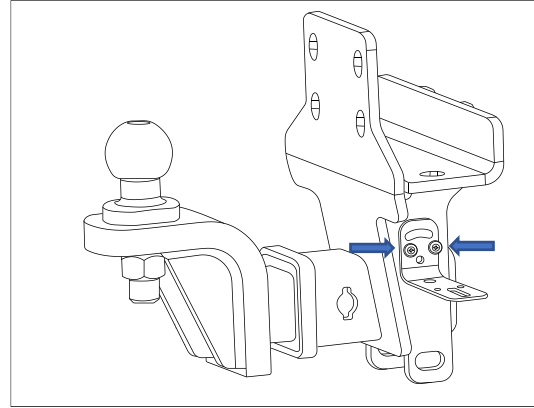
- 
5. Remove 2x screws underneath the bumper.



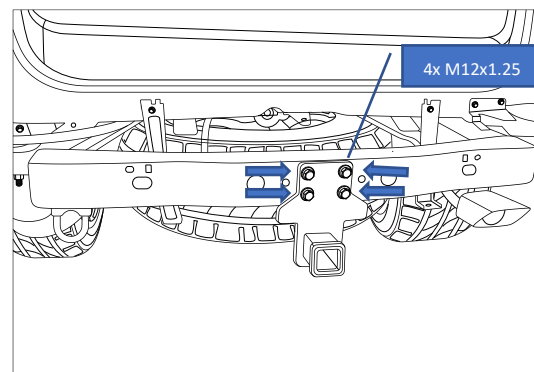
- 
6. Unclip the bumper and disconnect the bumper wiring.



7. Secure the plug bracket to the tow bar.



8. Fit the tow bar on to the vehicle.  
Loosely secure with 4x washers and 4x M12x40 bolts.



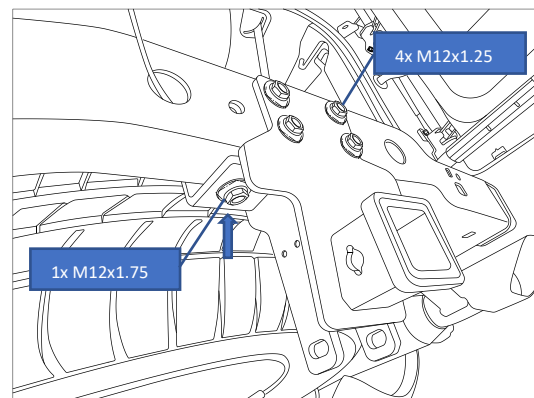
9. Insert the nut plate in the bar and loosely secure with 1X washer and 1x M12x50 bolt.  
Cut off the access length from the wire plate.

Repeat for the other side.

Torque fasteners as follows:

M12 x 1.25P = 89 Nm

M12 x 1.75P = 109 Nm

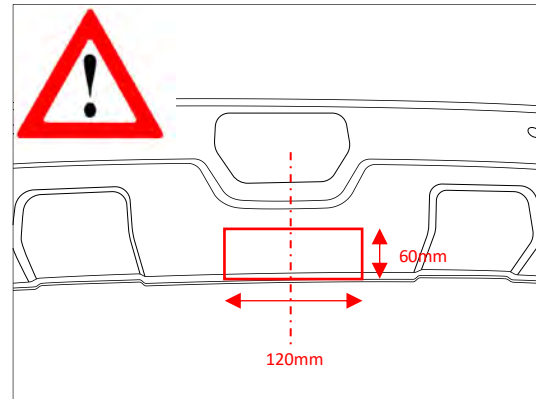


### 10. CAUTION

- NOT CUT INTO BUMPER SENSOR CABLE.
- MOVE TO THE CABLE TO ONE SIDE BEFORE CUTTING

Mark and cut an area at the centre line of the bumper 120mm wide and 60mm way from the bumper edge

Reroute the wire cable.  
Around the cut-out area.

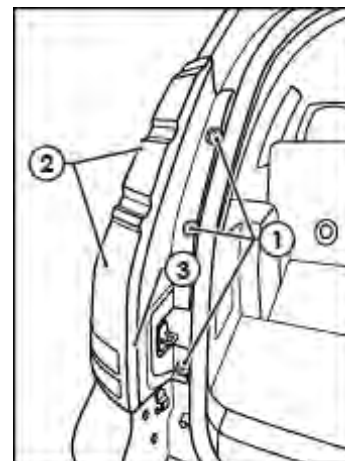


## IMPORTANT

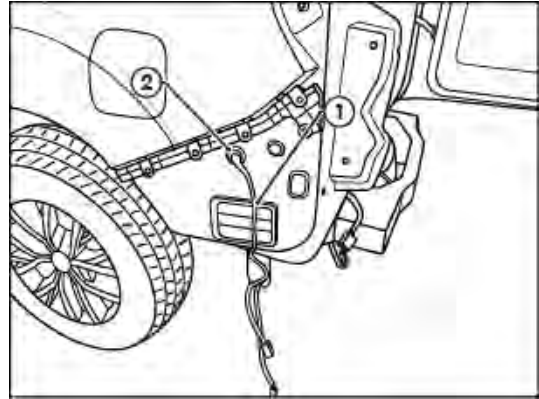
Due to possible vehicle variations, always confirm any noted vehicle colour wires with a multi-meter to ensure the correct function is identified before soldering or scotch locking. For vehicle wires denoted with two colours (example; RED/GREEN) the first colour will always be the main wire colour while the second colour is the thinner trace colour on the wire.

11. On the LHS Rear of the vehicle, remove screws (1) holding the upper and lower taillights (2).
12. Carefully dislodge and unclip connectors for the taillights (3).
13. Remove upper and lower taillight (2).

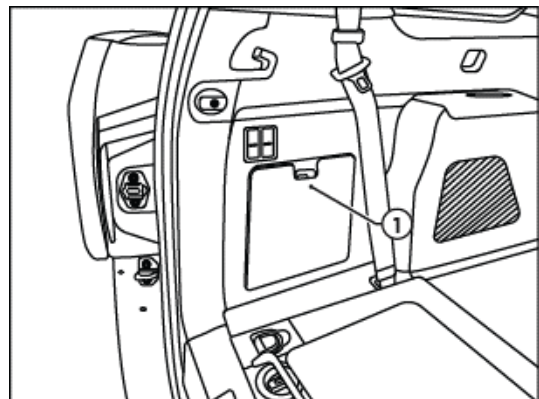
**Repeat for RHS.**  
**Ensure that the rear bumper is removed before removing both taillights.**



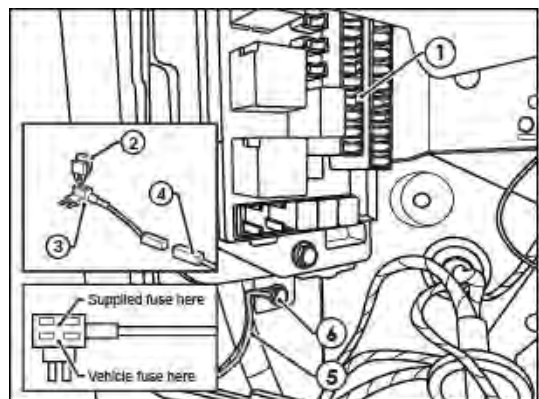
14. On the LHS of the vehicle remove the existing 35mm grommet.
15. Route the ECU Connector Branch **(1)** through the hole.
16. Seat the grommet **(2)** on the Harness into the 35mm hole.



17. From inside the LHS rear of the vehicle, remove the fuse box cover **(1)**.



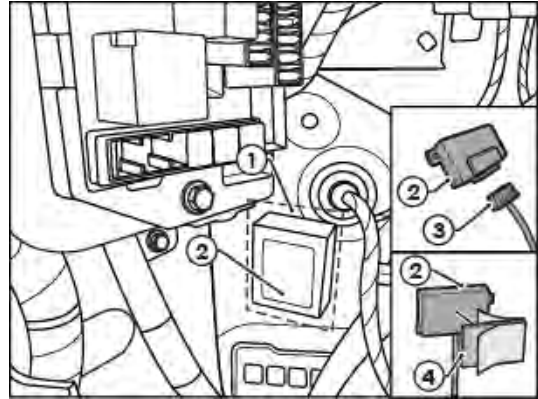
18. Locate the vacant slot **(1)** in the vehicle fuse panel just below the vehicle 15-amp fuse.
19. Insert the supplied 20-amp **(2)** fuse into the upper slot of the add-a-fuse harness **(3)**.
20. Connect the add-a-fuse harness **(3)** into the vacant slot **(1)** on the fuse panel.
21. Connect the trailer harness 1-way connector **(4)** to the add-a-fuse harness mating connector.
22. Secure Ring Terminal **(5)** to the Earthing point **(6)** underneath the fuse box.



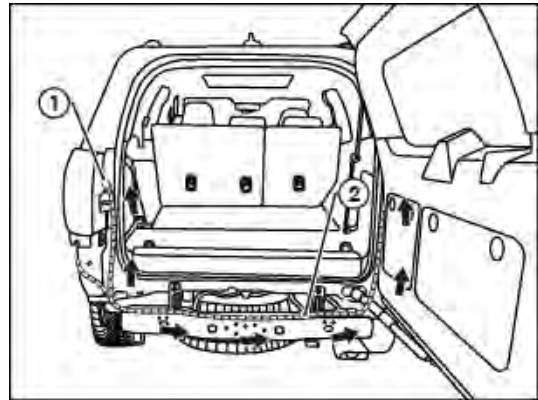


23. Behind the LHS rear panel, clean ECU mounting location (1) shown and base of ECU (2) using supplied cleaning pad.
24. Connect the Trailer Harness 12-way connector (3) to ECU (2) and mount in the location shown using the supplied Double Sided Tape (4).
25. Secure Trailer Harness (7) to existing vehicle harness using supplied 200mm cable ties.

**Ensure the connector is orientated downwards**

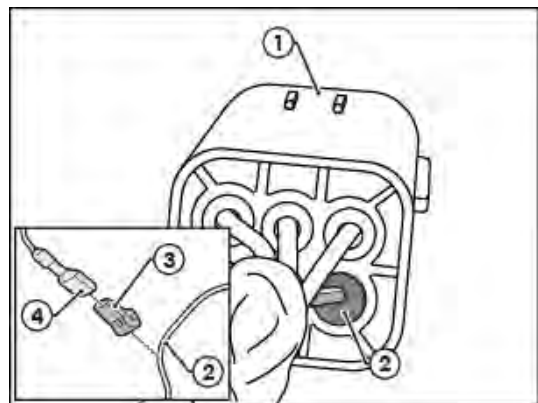


26. From outside the vehicle, route the harness taillight connectors (1) up towards the vehicle LHS tail light connector.
27. Patch the Harness LHS Taillight connectors (1) into the Vehicle LHS Taillight Connector.
28. Route the Trailer Wiring Harness (2) across towards the RHS Taillights.



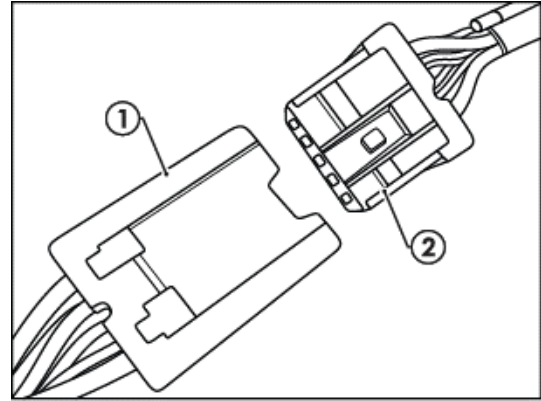
29. Locate the 6 Way Male Connector Taillight connector (1).
30. Cut the Wiring Cover and locate the vehicle "Blue/Yellow" RHS Indicator Wire (PIN6)
31. Following the table below, connect the ezy tap (3) to the harness wire (2) and then connect the trailer harness terminal (4) to the corresponding wire (2).

Function	Trailer Patch	Vehicle Connector
RHS Indicator	Blue/Yellow	Blue/Yellow



32. Use a multi-meter to confirm the correct wire before connecting.

33. Connect the tail harness (tail length 400mm) 8-way connector (1) to the trailer patch mating 8-way connector (2).
34. Secure all harness using supplied cable ties.
35. Re-fit all removed parts and secure all fasteners, ensuring there are no squeaks or rattles from steps 1-6, and 11-13 in reverse.
36. Test the trailer patch function using a light board or multimeter.
37. Place the fitting instructions in the glove box after fitment.





## CUSTOMER INFORMATION

PLACE THESE INSTRUCTIONS IN THE  
VEHICLE'S GLOVEBOX AFTER INSTALLATION

**THANK YOU FOR PURCHASING TRAILBOSS. WITH CORRECT MAINTENANCE AND CARE  
THIS PRODUCT WILL PROVIDE A LIFETIME OF TROUBLE-FREE OPERATION.**

### **TOWBAR MAINTENANCE AND CARE:**

1. Trailboss recommend that the towbar LUG or TBM (Trailer Ball Mount) Pull Pin and R-clip are removed and stored when not in use. Removal of LUG or TBM (Trailer Ball Mount) is advisable when not in use to assist with any of the following.
  - Ensure rear number plate is not obscured.
  - Allow maximum available departure angle and prevent any potential interference.
  - Prevent possible interference with vehicles reverse sensors or camera detecting a tow ball mount as an obstruction during reversing.
  - Removes towball mount as an obstruction for when moving around the rear of the vehicle.
2. Trailboss recommends routine inspection of your towbar to ensure trouble free towing.
  - Bolt security and tension should be regularly inspected and checked for correct tension. Replace any worn or defective parts with suitable grade & class fasteners. Inspection should be requested to coincide with vehicle major services.
3. It is the owner's responsibility to ensure towing and down ball weight capacities of the towing vehicle are not exceeded.
  - Towing and down ball weights allowable may differ according to model variations. Please refer to owner's manual or vehicle dealer to confirm exact rating for your vehicle model variant.
  - It is not uncommon for the vehicle tow rating to differ from the towbar rating. When this occurs, the lesser rating must be adhered to.
  - For vehicles fitted with enhanced vehicle functions that may be altered/changed when towing i.e Trailer sway mitigation, blind spot detection, adaptive cruise control etc. Please consult owner's manual to understand changes enabled when towing and after towing.

### **WARRANTY INFORMATION:**

Trailboss Towbars are covered by a Lifetime Warranty.

Our goods come with guarantees that cannot be excluded under the Australian Consumer Law. You are entitled to a replacement or refund for a major failure and for compensation for any other reasonably foreseeable loss or damage. You are also entitled to have the goods repaired or replaced if the goods fail to be of acceptable quality and the failure does not amount to a major failure.

For further details please contact customer service on 1800 812 017.

## PRO SERIES SILENT ANTI-RATTLE HITCH PIN

Your Trailboss towbar is equipped with a Pro Series Silent Anti-Rattle Hitch Pin technology to help reduce towbar tongue rattle in most driving conditions. Please ensure below instructions are understood and routine maintenance is carried out to ensure best towing experience.

Regularly inspect for wear and check the tightness of the Silent Anti-Rattle Hitch Pin. Follow instructions below to re-tighten the nut as necessary when movement and noise in the tow ball mount is noted.

- Before towing, ensure R-Clip is properly installed and hitch pin nut is installed and tensioned. Replacement parts are available from your Pro Series Distributor.

## TOWBALL MOUNT REMOVAL/INSTALLATION

### STEP 1

Insert Trailer Ball Mount (TBM) (a) into towbar hitchbox (b), aligning hole in TBM shank (c) with hole in hitchbox (d) (Fig. 1)

### STEP 2

Insert Silent Anti-Rattle Hitch Pin (e) through hole in hitchbox and hole in TBM shank (g); ensure the locators are inserted into the notches in the hitchbox (Fig. 2)

### STEP 3

Screw Silent Anti-Rattle Hitch Pin Nut (f) onto Smart Pin (g); tighten Smart Pin Nut until finger tight, ensuring TBM is restrained from up and down movement.

### STEP 4

Tighten Silent Anti-Rattle Hitch Pin Nut by turning nut a further 1/8th of a turn in the clockwise direction using a 24mm spanner (Fig. 4).

### STEP 5

Install Silent Anti-Rattle Hitch Pin R-Clip through the hole that provides best clearance or easiest access. (Fig. 5)

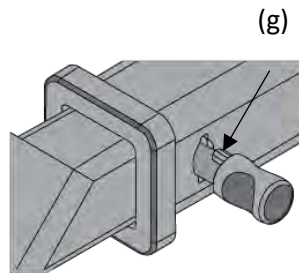
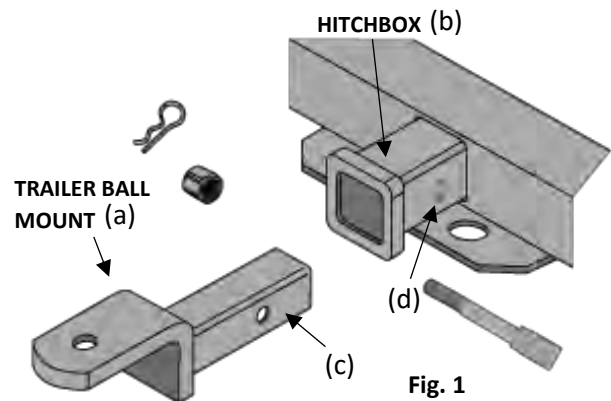


Fig. 2

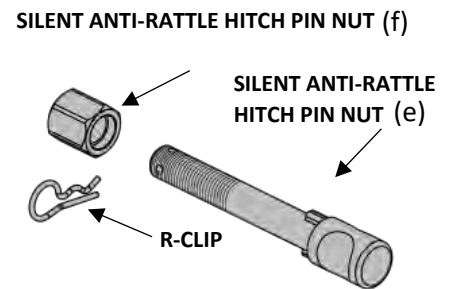


Fig. 3

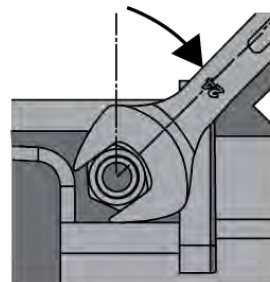


Fig. 4

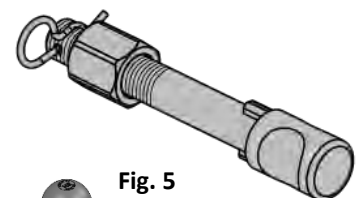


Fig. 5

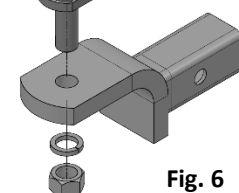


Fig. 6