

# TRAILBOSS

## Towbar Fitting Instructions To Suit **HYUNDAI SANTA FE 09/2012 ON** Part Number **QTHY259L** Rating **2500/150 kg**

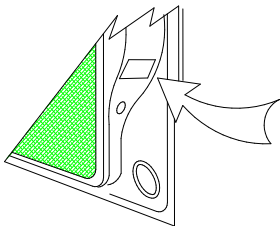
PLACE THESE INSTRUCTIONS IN THE VEHICLE'S GLOVEBOX AFTER INSTALLATION IS COMPLETED

### **WARNING:**

1. Do not, drill, cut, weld or otherwise modify the tow bar.
2. If you are using electric welding on a motor vehicle, **always** check that the vehicle is not equipped with electronic engine or instrument management equipment. Failure to do so could **destroy** any onboard computers. If in doubt, check with the vehicle's manufacturer.
3. The high tensile fasteners supplied with this product were used to achieve the specified rating. If replacement is required ensure that fasteners of the same rating & quality are used. Contact an authorised **Trailboss** dealer if further information is required.

### **General:**

1. Ensure all hardware items have been included refer to assembly diagram.
2. It is recommended that the instructions are read through and completely understood before making any attempt to fit this product.
3. Be wary of any changes to vehicle designs or other accessories that may conflict with the installation of this product.
4. Before drilling ensure that the area is clear of fuel, electrical & other components.
5. All holes drilled into the body panels shall have all burrs & swarf removed then coated with a suitable rust preventative paint.
6. For vehicles that require the bumper to be cut. Ensure cut out area is in correct position on the vehicle prior to cutting the bumper.
7. The high tensile fasteners supplied with this product were used to achieve the specified rating. If replacement is required ensure that fasteners of the same rating & quality are used. Contact an authorized **Trailboss** dealer if further information is required.
8. Ensure that all hardware is fastened to torque list below check fasteners on regular basis.
9. Tow bar load rating sticker provided with this product shall be conspicuously located on inside rear end of the driver's door. **(See diagram below)**.
10. Trailboss recommends that you check your tow ball to ensure that it complies with the Australian standards **AS 4177.2**.
11. **PLEASE NOTE:** It is advised to remove your lug or tbm when not actually towing so as to produce a clear view of the vehicles registration plate if obscured, and to also provide maximum available departure angle
12. Pull Pin must be fit in down position.



Place load rating sticker  
inside driver's door here

**FOR TRAILER TOWING PURPOSES ONLY**  
For towing capacity details please refer to vehicle owner's manual or to the manufacturer. Overloading can void your warranties.

#### **RECOMMENDED ASSEMBLY TORQUE LISTING**

<u>Diameter</u>	<u>Grade 8.8 Bolt</u>
M6	9.5 Nm
M8	21.7 Nm
M10	43.4 Nm
M12	77.3Nm
M14	146 Nm
M16	189.8 Nm

### **Tow bar Maintenance and Care.**

Trailboss recommends that bolt torque's, as listed below, are routinely and regularly inspected and checked for correct tension. Replace any worn or defective parts.

We recommended to remove Tow Ball Mounts (TBM's, tongues or lugs) when not being used for any considerable length of time.

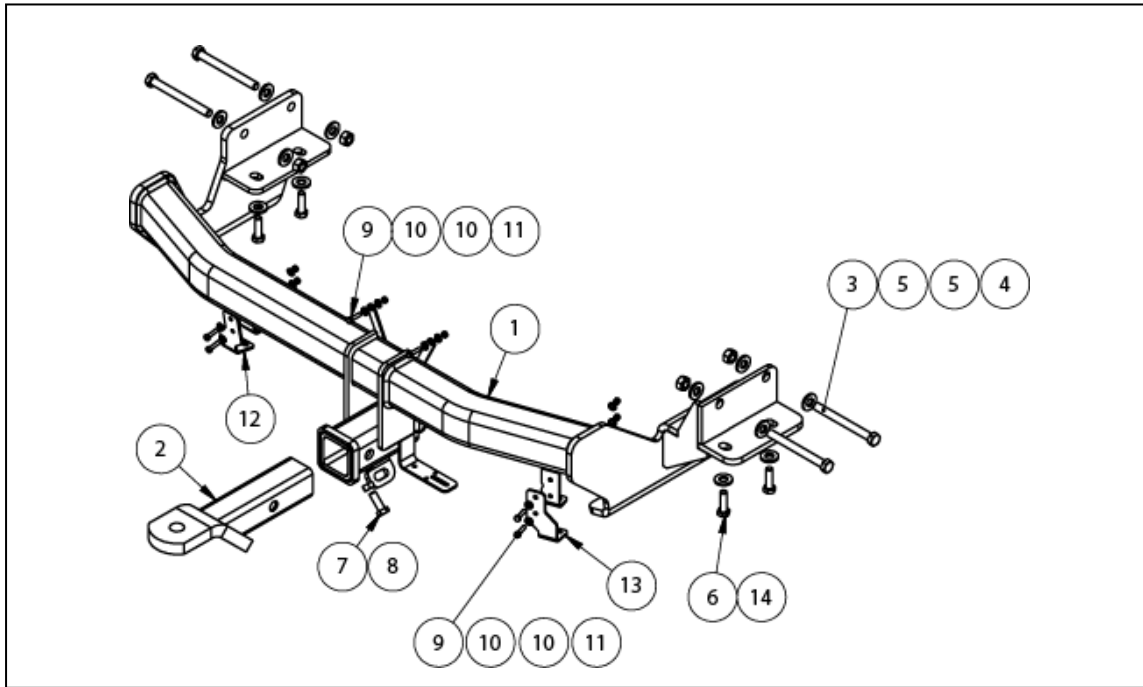
So as to avoid injury, when not towing it is suggested that the tongue, Pull Pin and R-clip are removed then stored in a safe, clean and dry place, away from excessive moisture.

Hitch Pull Pins and spring "R" clips are regularly checked for proper installation. Replace any worn or defective parts.

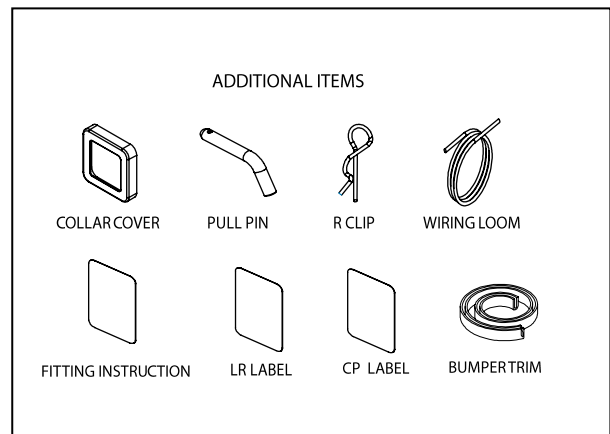
# TRAILBOSS

Towbar Fitting Instructions  
 To Suit **HYUNDAI SANTA FE 09/2012 ON**  
 Part Number **QTHY259L**  
 Rating **2500/150 kg**

PLACE THESE INSTRUCTIONS IN THE VEHICLE'S GLOVEBOX AFTER INSTALLATION IS COMPLETED



QTY	DESCRIPTION	ITEM NO.
1	TOWBAR WELDED ASSY	1
1	T.B.MOUNT	2
4	BOLT HEX HD M12x120x1.25P	3
4	M12x1.25 HEX NUT PC8	4
8	WASHER FLAT 1/2"x1 1/8"x1/8"	5
4	SET SCREW HEX HD M10x35x1.25P	6
1	SET SCREW HEX HD M10x30x1.5P	7
1	HEX NUT M10x1.5	8
6	SET SCREW HEX HD M5x20x0.8P	9
12	WASHER FLAT M6x12.5x1.2	10
6	NUT NYLOC M5-0.8 Z/P	11
1	BUMBER ADAPTER PASSENGER SIDE	12
1	BUMBER ADAPTER DRIVERS SIDE	13
4	WASHER FLAT M10x25.4x3	14



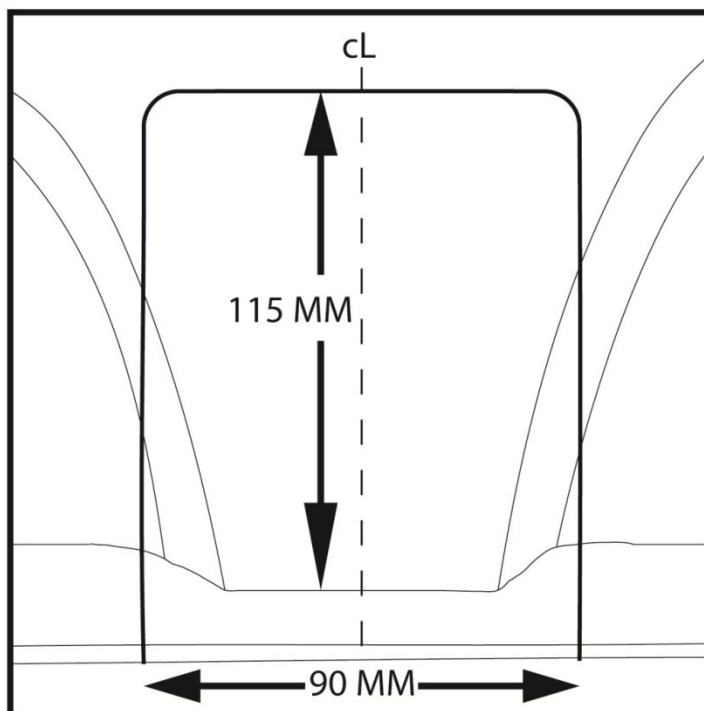


Towbar Fitting Instructions  
To Suit **HYUNDAI SANTA FE 09/2012 ON**  
Part Number **QTHY259L**  
Rating **2500/150 kg**

PLACE THESE INSTRUCTIONS IN THE VEHICLE'S GLOVEBOX AFTER INSTALLATION IS COMPLETED

**INSTRUCTION:**

1. Open boot and remove 2x Screws from the LHS Tail Light. Repeat for RHS.
2. Remove LHS Tail Light and disconnect the connector. Repeat for RHS.
3. Remove 1x Scrivet from inside the LHS Tail Light Cavity. Repeat for RHS.
4. Remove 4x Screws from inside the LHS Wheel Arch. Repeat for RHS.
5. Remove 5x Screws from underneath of Bumper on the RHS. Repeat for the LHS.
6. Remove 3x Bolts from underneath vehicle on RHS back panel. Repeat for LHS.
7. Disconnect the wiring connector near the LHS Chassis Rail at the rear of the vehicle. If fitted, remove reverse sensor and rear view camera connectors. Carefully remove Bumper and place in a safe area.
8. Remove Rubber Grommet from underneath of both Chassis Rails. Offer Towbar to vehicle. The Towbar will sit on the outer face of the LHS Chassis Rail, and the inner face of the RHS Chassis Rail. Loosely secure the Towbar using the fastener sequence as seen on page 2. Tighten to torque specifications on page 1.
9. Attach Bumper Tab Brackets onto Towbar using 2x M5 Bolts, 4x M5 Washers, and 2x M5 Nyloc Nuts per side.
10. Cut Bumper as shown. Re-attach bumper using steps 1-7 in reverse.



**BUMPER CUT**

**NOT TO SCALE**



Wiring Loom Fitting Instructions  
To Suit Hyundai Santa Fe MY12  
Part Number 100863-WL

**Wiring Loom Installation Instructions**

**Hyundai Santa Fe MY12  
Part No: 100863-WL**

**Tail Harness Length Required: 1200mm**

**Wiring Loom Installation Time: Approx 45 Mins**



Wiring Loom Fitting Instructions  
To Suit Hyundai Santa Fe MY12  
Part Number 100863-WL

1. In the luggage compartment, remove the sun shade and the tool compartment cover.
2. Remove the luggage compartment foam tool tray.
3. Remove the plastic tool tray by removing the three screws.
4. Remove the four bolts on the third row passenger seats and the four bolts in front of the third row of the passenger seats.
5. Remove the third row passenger seats from the vehicle.
6. On the LHS of the luggage compartment trim, remove the two screws and one seat belt bolt.
7. Dislodge the LHS luggage compartment trim.

**Repeat steps 6 & 7 for the RHS.**

**Note: On the RHS luggage compartment, 12v power and light connector may need to be disconnected before dislodging.**

8. Dislodge the RHS second row passenger seats to gain access to the RHS side panel trim.
9. Remove the RHS rear door sill trim.
10. On the driver's side, remove the door sill trim.
11. Dislodge the RHS 'B' pillar trim.
12. Underneath the driver's side dash, remove the RHS kick panel trim by first remove the screw on the bonnet lever.
13. On the outside of the vehicle, remove the RHS tail light by first removing the two screws.

# TRAILBOSS

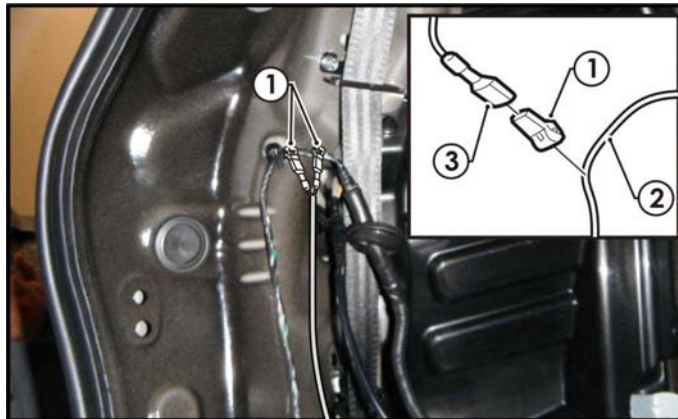
## Wiring Loom Fitting Instructions To Suit Hyundai Santa Fe MY12 Part Number 100863-WL

14. On the RHS rear quarter of the vehicle, drill a Ø30mm hole (1).



15. File any rough or sharp edges and spray with rust inhibitor.

16. On the LHS of the luggage compartment, connect the ezy-tap (1) to the corresponding vehicle wires (2), then connect the trailer patch terminal (3) to the ezy-tap (1).



Function	Trailer Patch	Vehicle Connector
L.IND	YELLOW	YELLOW / BLACK
REVERSE	BLACK	RED

17. Route the trailer harness towards the RHS of the vehicle tail light.

18. On the RHS of the vehicle, from the outside feed the existing vehicle grommet and tail light connector through the grommet hole and into the vehicle.

19. Inside the luggage compartment, feed the trailer harness connector through the grommet hole and connect to the tail light assembly connector.

20. Connect the 2nd trailer harness connector to the mating vehicle connector.

# TRAILBOSS

## Wiring Loom Fitting Instructions To Suit Hyundai Santa Fe MY12 Part Number 100863-WL

21. Using a tek screw, secure the ground ring terminal (1) to the sheet metal as shown.



22. Route the 'ORANGE' power wire towards the front of the vehicle along the RHS existing vehicle harness.

23. Continue routing the 'ORANGE' power wire, past the 'B' pillar trim and the driver's side door sill towards the front of the vehicle.

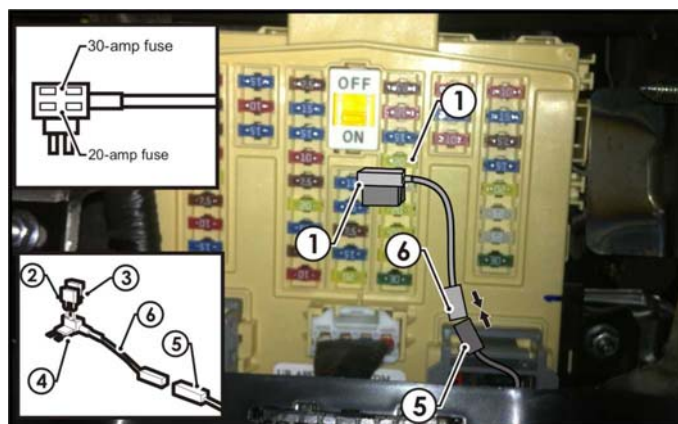
24. Continue routing the 'ORANGE' power wire up through the kick panel area towards the fuse panel.

25. Inside the fuse panel, locate the 20-amp (1) fuse as shown and discard.

26. Insert the supplied 20-amp fuse (2) into the lower slot of the add-a-fuse (3) and insert the supplied 30-amp fuse (3) into the upper slot of the add-a-fuse (4).

27. Plug the add-a-fuse (4) into the previously removed 20-amp fuse slot.

28. Connect the power patch 1-way connector (5) into the add-a-fuse harness mating connector (6).





Wiring Loom Fitting Instructions  
To Suit Hyundai Santa Fe MY12  
Part Number 100863-WL

29. Mount the trailer socket to the tow bar mounting bracket using M4 fasteners (not supplied).
30. Route the tail harness across the tow bar towards the LHS of the vehicle and up through the previously drilled out hole.
31. Ensure the tail harness grommet is seated correctly and secure in place using a cable tie (not supplied).
32. Connect the tail harness (tail length 1200mm) 8-way connector to the trailer patch mating 8-way connector.
33. Test the trailer patch function using a light board or multi meter.
34. Secure all harnesses using cable ties (not supplied).
35. Re-fit all removed parts and secure all fasteners, ensuring there are no squeaks or rattles.
36. Place the fitting instructions in the glove box after fitment.