

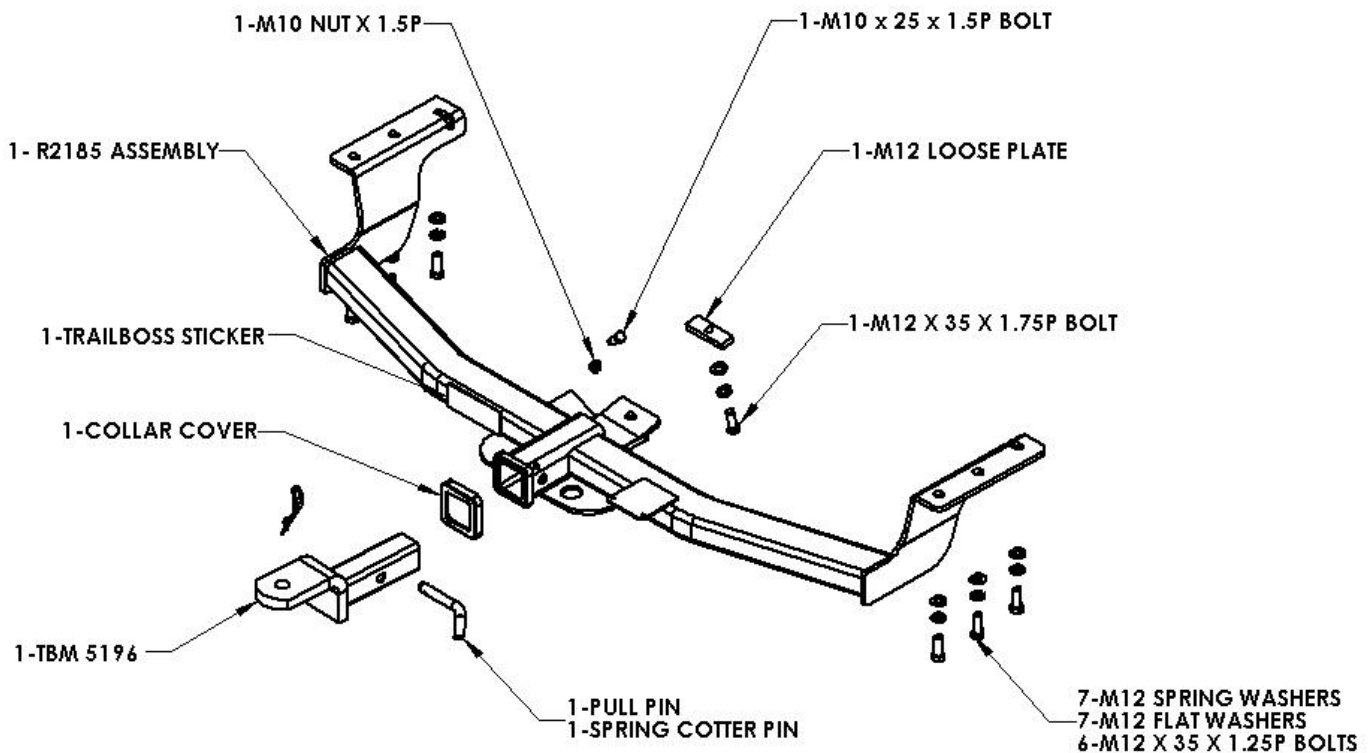
TRAILBOSS

Towbar Fitting Instructions To Suit KIA GRAND CARNIVAL 01/06-ON Part Number QTKM5L Rating 2000Kg

1. Ensure all hardware items have been included.
2. Unhook exhaust from its three rear most mounts.
3. Offer towbar up to vehicle and attach to centre mount, loosely, with loose plate, spring washer, flat washer and M12 x1.75P bolt.
4. Align side mounts with captive nuts and fit spring washers, flat washers and M12 x 1.25P bolts.
5. Tighten all bolts to torque listing.
6. Refit muffler to rubber hangers.
7. Towbar rating sticker to be conspicuously located on the inside rear end of the driver's door.
(See diagram below)

RECOMMENDED ASSEMBLY TORQUE LISTING

<u>Diameter</u>	<u>Grade 8.8 Bolt</u>
	Nm
M6	9.5
M8	21.7
M10	43.4
M12	77.3
M14	121.0
M16	189.8





Towbar Fitting Instructions
To Suit KIA GRAND CARNIVAL 01/06-ON
Part Number QTKM5L
Rating 2000Kg

Wiring Loom Installation Instructions

Kia Carnival
Part No: 100298-WL

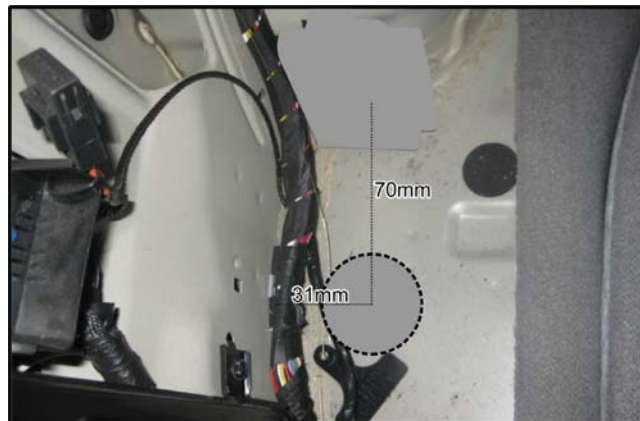
ECU Required: 04826
Tail Harness Length Required: 1200mm
RPA Override Switch Part No: 04848 (If Fitted)

Wiring Loom Installation Time: Approx 45 Mins

TRAILBOSS

Towbar Fitting Instructions To Suit KIA GRAND CARNIVAL 01/06-ON Part Number QTKM5L Rating 2000Kg

1. From outside the vehicle, remove the LHS tail light by first removing the three screws and disconnecting the tail light connector.
2. Repeat step for the RHS.
3. Route the LHS tail light connector into the luggage compartment by pushing the tail light grommet through the tail light hole.
4. Repeat step for the RHS.
5. From inside the luggage compartment, raise the third row seats to gain access to the rear trim.
6. Remove the rear trim by first removing the two screws.
7. Remove the LHS side trim lower screw.
8. Repeat step for the RHS.
9. Fold the rear seats forward and disconnect the two connectors.
10. Remove the LHS panel cover to gain access to the vehicle jack.
11. Remove the vehicle jack.
12. Remove the two LHS seat belt lower bolts.
13. Remove the two 10mm bolts from inside the jack cavity.
14. Remove the LHS lower cargo hook and remove the LHS side trim.
15. Dislodge the RHS side trim by first removing the cargo hook.



16. Drill a $\varnothing 31$ mm hole into the LHS side of the luggage compartment. **Note: Please refer to the above image for the correct drilling location.**
17. File any rough or sharp edges and spray on rust inhibitor.
18. Locate the LHS tail light connector.
19. Connect the Trailer Harness male connector to the LHS tail light connector.
20. Route the Trailer Harness female connector out through the LHS tail light hole, ensuring the grommet is seated correctly.



Towbar Fitting Instructions
To Suit KIA GRAND CARNIVAL 01/06-ON
Part Number QTKM5L
Rating 2000Kg

21. Connect the Trailer Harness ground ring terminal to the existing vehicle ground point.
22. Connect the trailer harness 12-way connector to the ECU.
23. Apply double sided tape to the ECU and adhere it to the vehicle sheet metal on the LHS of the luggage compartment.
24. Locate and remove the power window fuse from the LHS fuse panel.
25. Insert the removed vehicle fuse into the lower slot of the Add-a-Fuse harness.
26. Insert the supplied 20-amp fuse into the upper slot of the Add-a-Fuse harness.
27. Plug the Add-a-Fuse harness into the now vacant fuse slot on the fuse panel.
28. Connect the 'ORANGE' power wire 1-way connector into the Add-a-Fuse harness mating connector.
29. Route the Trailer Harness across the rear of the luggage compartment and towards the RHS of the vehicle.
30. Locate the RHS tail light connector.
31. Connect the Trailer Harness male connector to the RHS tail light connector.
32. Route the Trailer Harness female connector out through the RHS tail light hole, ensuring the grommet is seated correctly.
33. From outside the vehicle, mount the trailer socket to the towbar mounting bracket using M4 fasteners (not supplied).
34. Route the Tail Harness across the towbar towards the LHS of the vehicle and up through the previously drilled out hole.
35. Ensure the Tail Harness grommet is seated correctly and secure in place using a cable tie (not supplied).
36. Connect the Tail Harness 8-way connector to the Trailer Harness mating 8-way connector.
37. Test the Trailer Harness function using a Light Board or multi-meter.
38. Secure all Harnesses using cables ties (not supplied).
39. Re-fit all removed parts and secure all fasteners, ensuring there are no squeaks or rattles.
40. Place the instructions in the glove box after fitment.