

# TRAILBOSS

Towbar Fitting Instructions  
To Suit **PORSCHE MACAN RELEASED JUNE 2014 ONWARDS**  
Part Number **QTPOIL**  
Rating **2400/240 kg**

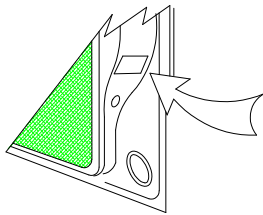
PLACE THESE INSTRUCTIONS IN THE VEHICLE'S GLOVEBOX AFTER INSTALLATION IS COMPLETED

## **WARNING:**

1. Do not, drill, cut, weld or otherwise modify the tow bar.
2. If you are using electric welding on a motor vehicle, **always** check that the vehicle is not equipped with electronic engine or instrument management equipment. Failure to do so could **destroy** any onboard computers. If in doubt, check with the vehicle's manufacturer.
3. The high tensile fasteners supplied with this product were used to achieve the specified rating. If replacement is required ensure that fasteners of the same rating & quality are used. Contact an authorised **Trailboss** dealer if further information is required.
4. If TBM is used in inverted position tow ball may make contact with rear tailgate when lowered, which could cause damage.

## **General:**

1. Ensure all hardware items have been included refer to assembly diagram.
2. It is recommended that the instructions are read through and completely understood before making any attempt to fit this product.
3. Be wary of any changes to vehicle designs or other accessories that may conflict with the installation of this product.
4. Before drilling ensure that the area is clear of fuel, electrical & other components.
5. All holes drilled into the body panels shall have all burrs & swarf removed then coated with a suitable rust preventative paint.
6. For vehicles that require the bumper to be cut. Ensure cut out area is in correct position on the vehicle prior to cutting the bumper.
7. The high tensile fasteners supplied with this product were used to achieve the specified rating. If replacement is required ensure that fasteners of the same rating & quality are used. Contact an authorized **Trailboss** dealer if further information is required.
8. Ensure that all hardware is fastened to torque list below check fasteners on regular basis.
9. Tow bar load rating sticker provided with this product shall be conspicuously located on inside rear end of the driver's door. **(See diagram below).**
10. Trailboss recommends that you check your tow ball to ensure that it complies with the Australian standards **AS 4177.2**.
11. **PLEASE NOTE:** It is advised to remove your lug or tbm when not actually towing so as to produce a clear view of the vehicles registration plate if obscured, and to also provide maximum available departure angle
12. Pull Pin must be fit in down position.



Place load rating sticker  
inside driver's door here

**FOR TRAILER TOWING PURPOSES ONLY**  
For towing capacity details please refer to vehicle owner's manual or to the manufacturer. Overloading can void your warranties.

### **RECOMMENDED ASSEMBLY TORQUE LISTING**

Diameter	Grade 8.8 Bolt
M6	9.5 Nm
M8	21.7 Nm
M10	43.4 Nm
M12	77.3Nm
M14	146 Nm
M16	189.8 Nm

## **Tow bar Maintenance and Care.**

Trailboss recommends that bolt torque's, as listed below, are routinely and regularly inspected and checked for correct tension. Replace any worn or defective parts.

We recommended to remove Tow Ball Mounts (TBM's, tongues or lugs) when not being used for any considerable length of time.

So as to avoid injury, when not towing it is suggested that the tongue, Pull Pin and R-clip are removed then stored in a safe, clean and dry place, away from excessive moisture.

Hitch Pull Pins and spring "R" clips are regularly checked for proper installation. Replace any worn or defective parts.

# TRAILBOSS

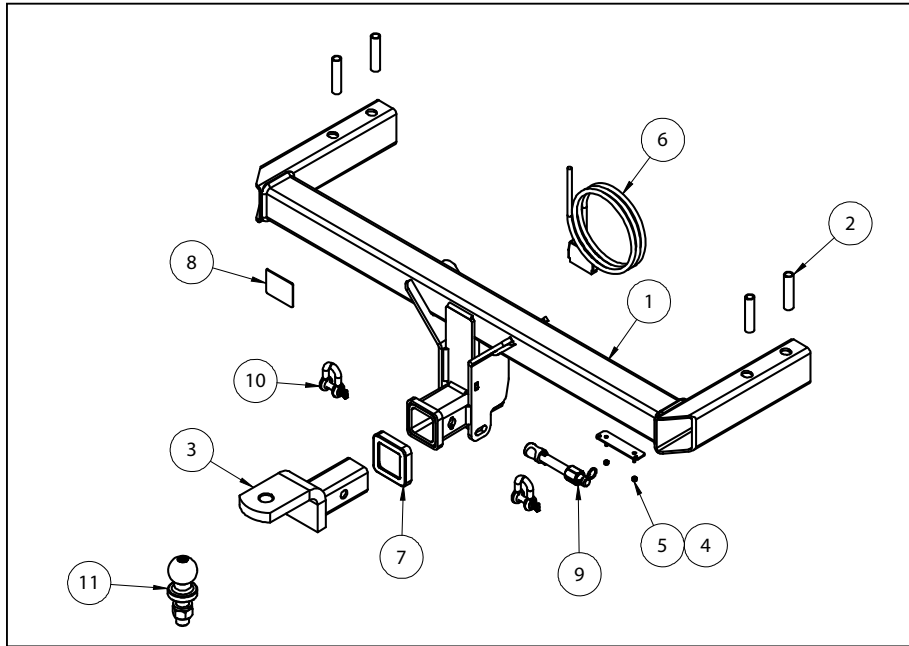
## Towbar Fitting Instructions

To Suit **PORSCHE MACAN RELEASED JUNE 2014 ONWARDS**

Part Number **QTPO1L**

Rating **2400/240 kg**

PLACE THESE INSTRUCTIONS IN THE VEHICLE'S GLOVEBOX AFTER INSTALLATION IS COMPLETED



QTY.	DESCRIPTION	ITEM NO
1	WELDED ASSY	1
4	KB S/TUBE 70MM 16x1.6	2
1	TBM ASSY	3
1	PLUG BRACKET	4
2	NUT NYLOC M4-0.7 Z/P	5
1	WIRING LOOM	6
1	HITCH BOX COLLAR COVER	7
1	ACRYLIC COMPLIANCE PLATE	8
1	ANTI-RATTLE PULL PIN ASSY GOLD	9
2	10mm "D" SHACKLE	10
1	50mm TOWBALL	11



Towbar Fitting Instructions  
To Suit **PORSCHE MACAN RELEASED JUNE 2014 ONWARDS**  
Part Number **QTPO1L**  
Rating **2400/240 kg**

PLACE THESE INSTRUCTIONS IN THE VEHICLE'S GLOVEBOX AFTER INSTALLATION IS COMPLETED

**INSTRUCTION:**

1. On the underside of the bumper remove 2 x Torx Screws and keep in a safe place.
2. On the inside of the guard liner remove all Torx Screws including a hidden screw securing the bumper to the rear guard.
3. Move the guard liner out of the way to reveal an additional 3 Torx screws. Two are located on a support on the inside of the bumper. The third is located on a plastic stalk below the reinforcement.
4. Release the rear tail gate to expose the boot. On either side remove the tail gate stops by removing 1 x Torx Screw on both passenger and driver side.
5. Remove the 4 tie down points located in each corner of the boot by unscrewing 8 x Torx Screws. Remove the interior boot floor and surrounding boot trim. Keep in a safe place for re-assembly.
6. Behind the scuff plate remove two plastic Hex Head Nuts. Carefully lift up and dislodge the scuff plate.
7. Remove the plastic cover concealing the inside face of the tail light. Remove 1 x Torx Screw securing the bumper vertically to the vehicle. Repeat for passenger and driver side.
8. Carefully remove the Bumper by peeling away at the corners. Then push down on the Bumper where it meets the tail light to release it from its mounting clips. Keep in a safe place for re-assembly. Disconnect any factory fitted Reverse Cameras or parking sensors if fitted.
9. Remove the rear impact beam by removing 4 x M12 Set Screws located on the floor of the boot cabin. Repeat for passenger and drivers side. Slide impact beam out and discard. Retain Set Screws for mounting of the Towbar.
10. Slide crush tubes into the specified slots located on the sidearm of the Towbar. Insert Towbar into chassis rails and secure using Set Screws removed in Step 9. Torque Set Screws to specifications located on Page 1 whilst retaining the tie down bracket.
11. On the bumper locate the centre. Measure 75MM from the BOTTOM edge of the bumper, this will from the bottom of the bumper cut. Carefully cut a rectangular hole 95MM wide and 185MM tall.

**NOTE:** The bottom of the bumper forms a diffuser with a central fin. This fin will need to be trimmed parallel to the top of the hitch box due to the curvature of the bumper. It is recommended for bumpers with a stainless steel diffuser cover that it be separated and cut. Then re-attached to the bumper.

12. Slide the Bumper over the hitch box and re-assemble by following Steps 1-8 in reverse.



Wiring Loom Fitting Instructions  
To Suit Audi Q7, Audi A4, Porsche Macan  
2009 - Onwards  
Part Number 100418-WL

## Wiring Loom Installation Instructions

Audi Q7, Audi A4, Porsche Macan  
Part No: 100418-WL  
ECU: 04829

Tail Harness Length Required: 1800mm

**For 2011 models: 2 - 3**

**Red / Black wire needs to be extended 500mm.**

**Ensure tailgate remains open during fitment to ensure that light signals remain on tailgate (Audi Q7).**

**RPA can be disabled from the overhead switch.**

**For Audi A4 models, go to Page 5**

**For Porsche Macan, go to Page 8**

Wiring Loom Installation Time: Approx 50 / 30 Mins (Q7 / A4)



Wiring Loom Fitting Instructions  
To Suit Audi Q7, Audi A4, Porsche Macan  
2009 - Onwards  
Part Number 100418-WL

1. The following Steps for Audi AQ7 only: In the luggage compartment, fold the rear seats down flat.
2. Remove the carpet floor cover.
3. Remove the storage compartment tray.
4. Dislodge the rear trim by first removing the four fasteners.
5. Disconnect the rear trim connector.
6. Remove the RHS floor carpet cover by first removing the fasteners located underneath the cargo tie down hooks.
7. Remove the fastener from the RHS upper trim.
8. Dislodge the RHS access panel cover.
9. Disconnect the AUX power socket connector.
10. Disconnect the RHS light connector.
11. Dislodge the RHS side trim.
12. Remove the RHS lower trim.
13. On the rear of the luggage compartment, reconnect the rear trim panel.

**Note: Ensure to reconnect the rear trim panel before continuing with any of the wiring fitment, this will ensure the micro switch will trigger the light output on the tailgate.**

**Note: Ensure tailgate remains open during fitment to ensure light signals remain on tailgate.**

14. Dislodge the vehicle ECU to gain access to the connectors.
15. Following the table below, connect the ezy taps to the vehicle harness wires on the blue & brown connectors, then connect the trailer harness terminals to the corresponding wires.

Trailer Patch	Vehicle Connector	Function	Connector / Terminal #
GREEN/BLACK	BLUE/RED	R.IND	BROWN / TERM. 9
YELLOW/BLACK	BLUE/RED	L.IND	BROWN / TERM. 11
BROWN/BLACK	GREY/YELLOW	TAIL	BROWN / TERM 12
RED/BLACK	BLACK/GREEN	BRAKE	BLUE

**Build Date 2011:**

Function	Trailer Patch	Vehicle Connector
R.IND	GREEN / BLACK	BLACK / GREEN
L.IND	YELLOW / BLACK	BLACK / WHITE
TAIL	BROWN / BLACK	WHITE / YELLOW



Wiring Loom Fitting Instructions  
To Suit Audi Q7, Audi A4, Porsche Macan  
2009 - Onwards  
Part Number 100418-WL

**For 2009 and 2011 models only**

- 16. Connect the trailer harness ground ring terminal to the vehicle stud located behind the luggage compartment fuse panel, using an M6 nut (not supplied).
- 17. Route the trailer harness black/white reverse wire down towards the RHS vehicle grommet.

**For 2011 models only.**

- 18. Route the trailer harness extended Red/Black wire down towards the RHS vehicle grommet.
- 19. From the outside of the vehicle, dislodge the RHS rear grommet and pull the vehicle harness through the grommet hole.
- 20. Cut the tape on the vehicle harness to expose the wires.
- 21. Route the trailer harness reverse black/white wire terminal through the grommet hole.
- 22. Connect the trailer harness black/white wire terminal to the ezy tap.
- 23. Re-fit the vehicle harness grommet, ensuring it is seated correctly

Trailer Patch	Vehicle Connector	Function
BLACK/WHITE	GREEN/BROWN	REVERSE

**For the 2011 models only.**

Function	Trailer Patch	Vehicle Connector
BRAKES	RED/BLACK	RED/YELLOW

- 24. In the luggage compartment, connect the 12-way trailer harness connector to the ECU.
- 25. Apply double sided tape to the ECU.
- 26. Mount the ECU securely to the vehicle sheet metal as shown.
- 27. From the outside of the vehicle, drill a Ø31mm hole in the area behind the RHS mud-flap near the vehicle grommet.
- 28. File down any rough or sharp edges and spray on rust inhibitor.
- 29. From the outside of the vehicle, route the tail harness (tail length 1800mm) through the previously drilled grommet hole.
- 30. Ensure the tail harness grommet is seated correctly.
- 31. Secure the grommet in place with a cable tie (not supplied).
- 32. Mount the tail harness socket to the towbar mounting bracket using M4 fasteners (not supplied).



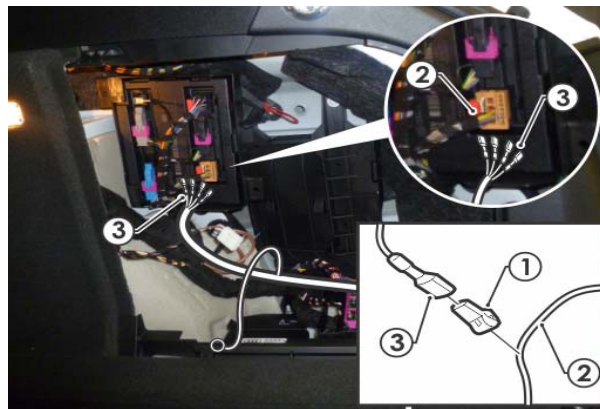
Wiring Loom Fitting Instructions  
To Suit Audi Q7, Audi A4, Porsche Macan  
2009 - Onwards  
Part Number 100418-WL

33. Connect the 8-way tail harness connector to the trailer harness 8-way mating connector.
34. Connect the 1-way add-a-fuse harness connector to the 1-way trailer harness mating connector.
35. Insert the supplied 20-amp fuse into the upper slot of the add-a-fuse harness.
36. Plug the add-a-fuse harness into the available fuse slot on the luggage compartment fuse panel.
37. Note: If the fuse slot is taken, remove the vehicle fuse and put it in the lower slot on the add-a-fuse harness.
38. Test the Trailer socket using a light board or multi-meter.
39. Secure the all harnesses using cables ties (not supplied).
40. Re-fit all removed parts and secure all fasteners, ensuing there are no squeaks or rattles.
41. Place instructions in glove box after fitment.

Wiring Loom Fitting Instructions  
To Suit Audi Q7, Audi A4, Porsche Macan  
2009 - Onwards  
Part Number 100418-WL

1. **The following Steps for Audi A4 only:** At the rear of the vehicle, in the luggage compartment, remove the RHS access panel.
2. Locate the vehicle harness brown connector. Secure the supplied scotch lock (1), to the vehicle harness wires (2) and then connect the Trailer Patch (P/No: 100418-WL) terminals (3) to the scotch locks (1) by following the table below:

Function	Trailer Patch	Vehicle Connector
R.IND	GREEN / BLACK	BLACK / GREY
REVERSE	BLACK / WHITE	BLACK
TAIL	BROWN / BLACK	GREY / WHITE
BRAKES	RED / BLACK	GREY / YELLOW
L.IND	YELLOW / BLACK	BLACK / GREEN



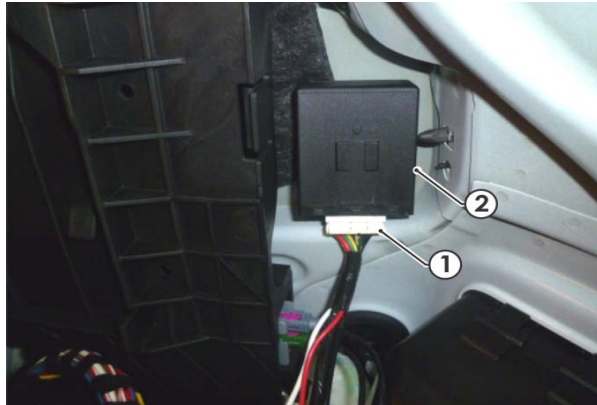
3. Secure the Trailer Patch ground ring terminal (1) to the existing vehicle grounding point (2).





Wiring Loom Fitting Instructions  
To Suit Audi Q7, Audi A4, Porsche Macan  
2009 - Onwards  
Part Number 100418-WL

4. Connect the Trailer Patch connector (1) to the ECU (P/No: 04829) (2). Using the supplied Cleaning Pad, clean the area on the vehicle sheet metal where the ECU (2) will be mounted. Allow area to dry before continuing.



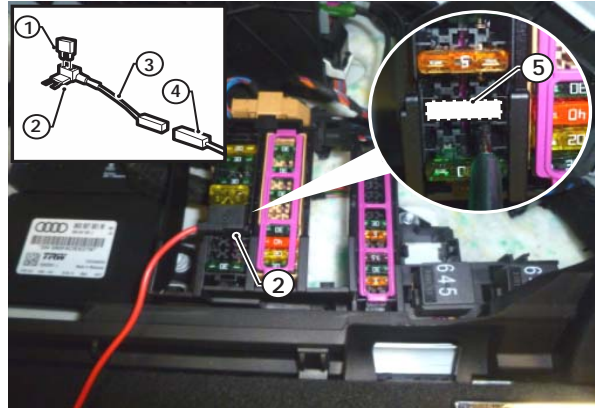
5. Use the existing grommet if available (1) if occupied, drill a 30mm hole into the vehicle sheet metal in the location shown (2). Apply rust inhibitor after drilling.



6. Connect the supplied fuse (1) to the add-a-fuse harness connector (2) and connect the add-a-fuse harness connector (3) to the trailer patch mating connector (4). Insert the add-a-fuse harness connector (2) to the fuse panel location (5) as indicated.

# TRAILBOSS

## Wiring Loom Fitting Instructions To Suit Audi Q7, Audi A4, Porsche Macan 2009 - Onwards Part Number 100418-WL



7. Mount the tail harness socket to the towbar mounting bracket using M4 fasteners (not supplied). Route the tail harness up to the drilled out vehicle hole. Adjust the tail harness grommet so it is seated correctly and then secure with tape.
8. Connect the tail harness connector to the Trailer Patch mating connector.
9. Test the trailer harness function using a light board or multimeter.
10. Secure all harness using cable ties (not supplied).
11. Re-fit all removed parts and secure all fasteners, ensuring there are no squeaks or rattles.
12. Place the instructions in the glove box after fitment.



Wiring Loom Fitting Instructions  
To Suit Audi Q7, Audi A4, Porsche Macan  
2009 - Onwards  
Part Number 100418-WL

1. **The following Steps for Porsche Macan only:** In the luggage compartment, remove the access panel of the RHS luggage compartment trim.
2. Remove the luggage compartment rear trim.
3. At the RHS tail gate, locate the vehicle grommet. At a suitable location, drill out a Ø30mm hole. Apply rust inhibitor after drilling.
4. Locate and scotch main trailer patch terminals (P/No:100418-WL) running alongside the RHS.
5. Following the table below, connect the ezy-taps to the corresponding vehicle wires, then connect the trailer patch terminal to the ezy-taps. **Check for correct signals using a multi meter ONLY:**

Function	Trailer Patch	Vehicle Connector
BRAKE	BLUE / GREY	BLUE / YELLOW
TAIL	PURPLE / GREEN	BLACK / GREY
L.IND	GREY / ORANGE	LIGHT GREEN
REVERSE	BLUE	GREY / GREEN
R.IND	GREEN / ORANGE	BLACK / GREEN

6. Connect the trailer patch ECU connector to the ECU (P/No: 04829).
7. On the RHS of the vehicle, remove the adhesive backing from the ECU and secure the ECU onto the vehicle sheet metal in a suitable location above the wheel arch area. Ensure the ECU is secured with the connector pointing downwards.
8. Secure the trailer patch ground ring terminal to the existing vehicle grounding point.
9. Secure the tail harness (tail length 1800mm) trailer socket using the supplied M4 fasteners.
10. Route the tail harness into the vehicle through the RHS previously drilled grommet hole. Adjust the grommet into position ensuring it is seated correctly and secure harness grommet with a cable tie (not supplied).
11. Inside the vehicle, connect the tail harness (tail length 1800mm) 8-way connector to the trailer harness mating 8-way connector.
12. Test the trailer harness function using a light board or multi-meter.
13. Secure all harnesses using cable ties (not supplied).
14. Re-fit all removed parts and secure all fasteners, ensure there are no squeaks or rattles.
15. Place instructions in glove box after fitment.



# FITTING INSTRUCTIONS

## Silent Anti-Rattle Hitch Pin (PR0001)

• These fitting instructions are supplied to ensure understanding of how the HITCH PIN should be fitted and used correctly.

• Once installed, we recommend **ALL** instructions are kept and placed in the vehicle glove box.

**NOTE: Routine maintenance and inspection of the towbar & HITCH PIN is required. Regularly inspect for wear and check the tightness of the Hitch Pin. Follow instructions below to retighten the nut when necessary.**

**\*Do not tow with your vehicle if the R CLIP or the HITCH PIN is loose or missing. Replacement parts are available from your Pro Series Distributor.**

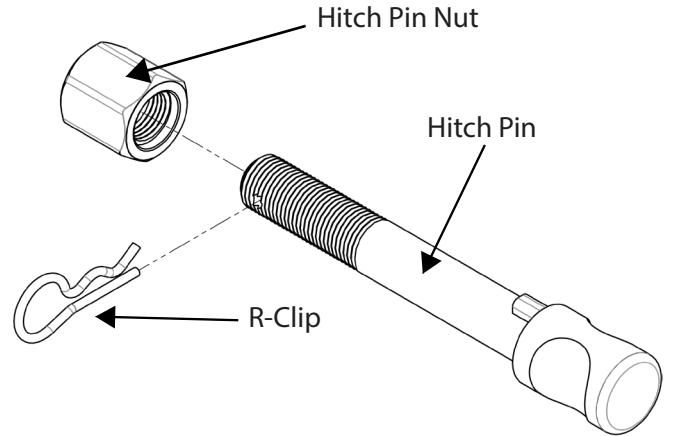


Fig 1. Silent Anti-Rattle Hitch Pin assembly

### STEP 1

Insert Trailer Ball Mount (TBM) into towbar HITCHBOX, aligning hole in TBM SHANK with hole in HITCHBOX (Fig 2).

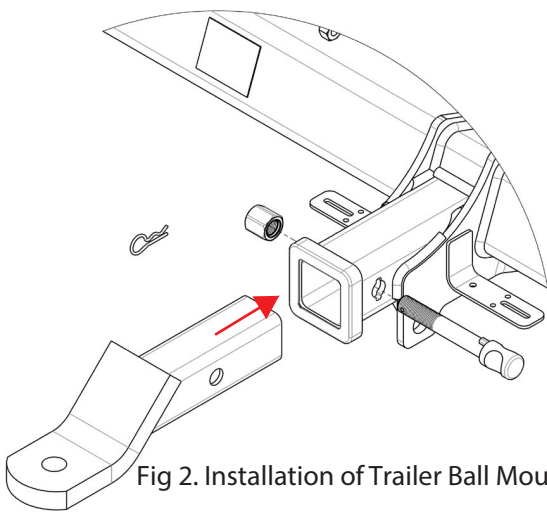


Fig 2. Installation of Trailer Ball Mount

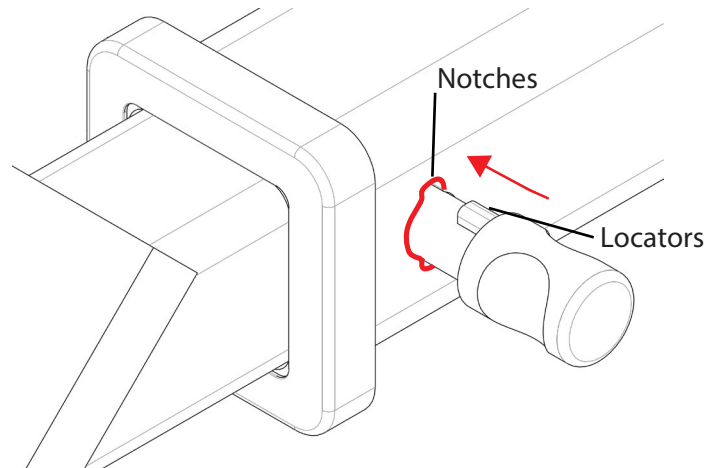


Fig 3. Silent Anti-Rattle Hitch Pin orientation

### STEP 2

Insert HITCH PIN through hole in HITCHBOX and hole in TBM SHANK; ensure the LOCATORS are inserted into the NOTCHES in the HITCHBOX (Fig. 3).

### STEP 3

Screw HITCH PIN NUT onto HITCH PIN; tighten HITCH PIN NUT until finger tight, ensuring TBM is restrained from movement.

### STEP 4

Tighten HITCH PIN NUT by turning nut a further 1/8th of a turn in the clockwise direction using a 24mm spanner (Fig. 4).

### STEP 5

Install HITCH PIN R CLIP through the hole on the HITCH PIN (Fig. 1).

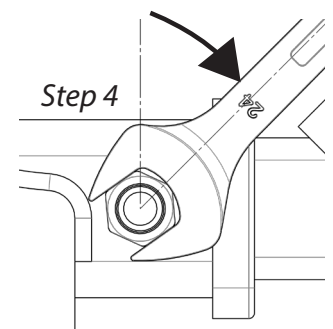


Fig 4. Tightening of Silent Anti-Rattle Hitch Pin Nut