

TRAILBOSS

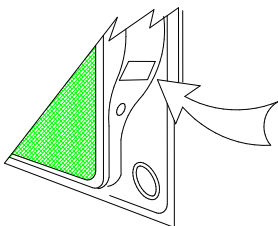
Towbar Fitting Instructions
To Suit **LAND ROVER DEFENDER 90 2010** on
TO SUIT MID WHEEL BASE (WITH STEP)
Part Number **QTRV10L**
Rating 3500 kg

WARNING:

1. Do not, drill, cut, weld or otherwise modify the tow bar.
2. If you are using electric welding on a motor vehicle, **always** check that the vehicle is not equipped with electronic engine or instrument management equipment. Failure to do so could **destroy** any onboard computers. If in doubt, check with the vehicle's manufacturer.

General:

1. Ensure all hardware items have been included refer to assembly diagram.
2. It is recommended that the instructions are read through and completely understood before making any attempt to fit this product.
3. Be wary of any changes to vehicle designs or other accessories that may conflict with the installation of this product.
4. Before drilling ensure that the area is clear of fuel, electrical & other components.
5. All holes drilled into the body panels shall have all burrs & swarf removed then coated with a suitable rust preventative paint.
6. For vehicles that require the bumper to be cut. Ensure cut out area is in correct position on the vehicle prior to cutting the bumper.
7. The high tensile fasteners supplied with this product were used to achieve the specified rating. If replacement is required ensure that fasteners of the same rating & quality are used. Contact an authorized **Trailboss** dealer if further information is required.
8. Ensure that all hardware is fastened to torque list below check fasteners on regular basis.
9. Tow bar load rating sticker provided with this product shall be conspicuously located on inside rear end of the driver's door. **(See diagram below).**
10. Trailboss recommends that you check your tow ball to ensure that it complies with the Australian standards **AS 4177.2**.
11. **PLEASE NOTE:** It is advised to remove your lug or tbn when not actually towing so as to produce a clear view of the vehicles registration plate if obscured, and to also provide maximum available departure angle



Place load rating sticker
inside driver's door here

FOR TOWING PURPOSES ONLY

For towing capacity details please refer to vehicle owner's manual or to the manufacturer. Overloading can void your warranties.

RECOMMENDED ASSEMBLY TORQUE LISTING

Diameter Grade 8.8 Bolt

M6	9.5 Nm
M8	21.7 Nm
M10	43.4 Nm
M12	77.3Nm
M14	146 Nm
M16	189.8 Nm

Tow bar Maintenance and Care.

Trailboss recommends that bolt torque's, as listed below, are routinely and regularly inspected and checked for correct tension. Replace any worn or defective parts.

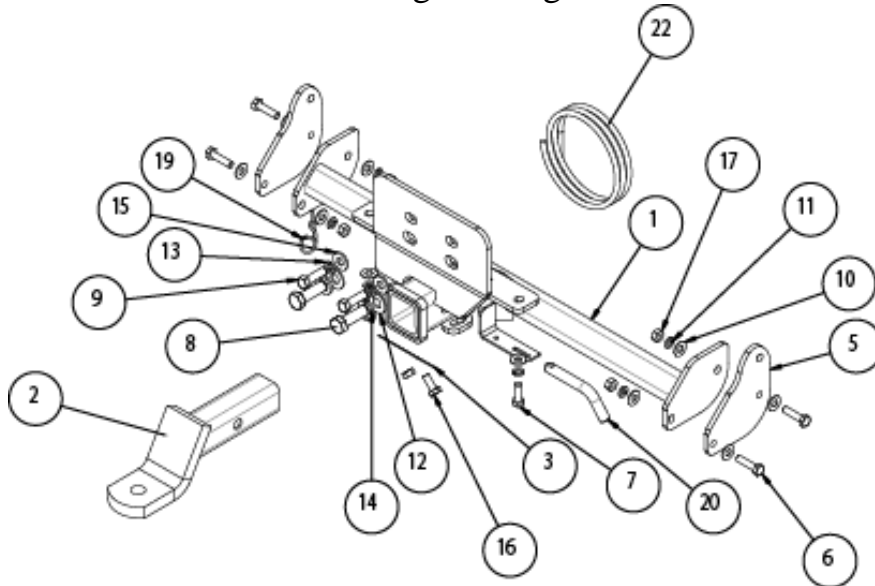
We recommended to remove Tow Ball Mounts (TBM's, tongues or lugs) when not being used for any considerable length of time.

So as to avoid injury, when not towing it is suggested that the tongue, Pull Pin and R-clip are removed then stored in a safe, clean and dry place, away from excessive moisture.

Hitch Pull Pins and spring "R" clips are regularly checked for proper installation. Replace any worn or defective parts.

TRAILBOSS

Towbar Fitting Instructions
 To Suit **LAND ROVER DEFENDER 90 2010** on
 TO SUIT MID WHEEL BASE (WITH STEP)
 Part Number **QTRV10L**
 Rating 3500 kg



ITEMS 5, 18 & 21 ARE NOT SHOWN IN THE DRAWING

Figure 1 – Layout Diagram

ITEM NO.	DESCRIPTION	QTY.
1	WELDED ASSY LR DEFENDER 2010	1
2	TBM	1
3	COMP. PLATE	1
4	CTN 1165x250x330	1
5	END PLATE	2
6	BOLT M10 - 1.5 x 40mm GR 8.8	4
7	M10 - 1.5 x 30mm BOLT	2
8	M16x50 Bolt	2
9	BOLT M12-1.75x40 GR8.8	2
10	Washer Flat M10 x 23 x 2 z/p	10
11	M10 X 3.5 X 2.2 SPRING WSHR	6
12	M16 X 33.5-34.5X2.5-3.0Z/P Flat Washer	2
13	M12 X 4.0 X 2.5 SPRING WASHER	2
14	M16 X 5 X 3.5 SPRING WASHER	2
15	WASHER M12x28.8x3mm	2
16	BOLT M10-1.50 x 25	1
17	NUT HX M10 - 1.5 Z/P	5
18	FITTING INSTRUCTIONS	1
19	SPRING COTTER PIN	1
20	PULL PIN	1
21	LOAD RATING LABEL	1
22	WIRING LOOM	1



Towbar Fitting Instructions
To Suit **LAND ROVER DEFENDER 90 2010** on
TO SUIT MID WHEEL BASE (WITH STEP)
Part Number **QTRV10L**
Rating 3500 kg

STEPS TO FIT TOWBAR



Position the vehicle on to a safe working height on the hoist before commencing fitment.

1. Remove the shipping hook from the driver side and passenger side.
2. Fit the end plates (item 5) on both sides of the vehicle (in the topmost hole), by reusing the bolt and nut of the shipping hook.
3. Fit the towbar assembly, using the relevant fasteners, as shown in Figure 1.
4. Torque the M10, M12 and M16 bolts to the torque requirements mentioned on page 1.
5. Affix the load rating label, as shown on page 1.



Wiring Loom Fitting Instructions
To Suit Landrover Defender 90
Part Number 100371-WL

Wiring Loom Installation Instructions

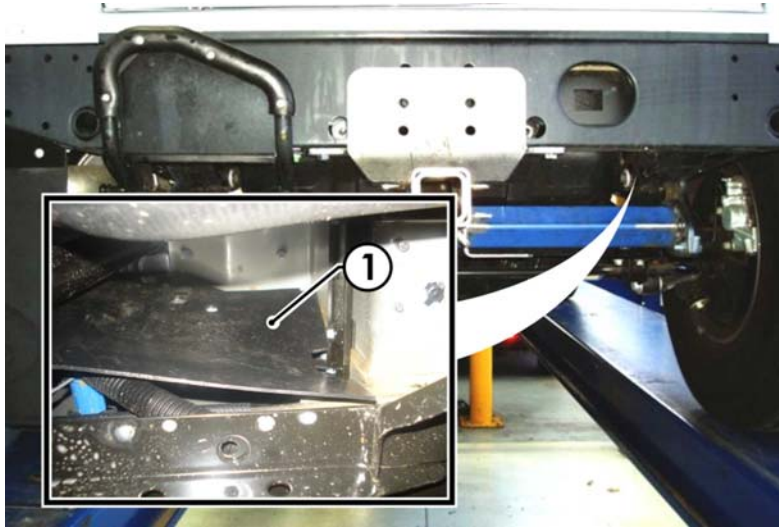
Landrover Defender 90
Part No: 100371-WL

Tail Harness Length Required: 1200mm
RPA Override Switch Part No: 04848 (If Fitted)

Wiring Loom Installation Time: Approx 20 Mins

Wiring Loom Fitting Instructions To Suit Landrover Defender 90 Part Number 100371-WL

1. From the outside of the vehicle remove the RHS rear mud flap, by first removing the three fasteners.
2. Underneath the RHS of the vehicle remove the panel cover (1)



3. Locate the 9-way breakout connector.
4. Connect the trailer patch harness (P/No: 100371-WL) 9-way connector to the 9-way breakout connector.
5. Connect the trailer patch harness to the tail harness (tail length 1200mm)
6. Using electrical grease of silicone water proof the back of the tail harness and the trailer patch harness connectors
7. Secure the tail harness to the towbar using cable ties (not supplied)
8. Mount the tail harness socket to the towbar mounting bracket using M4 fasteners (not supplied)
9. Test the Trailer socket using a light board or multi-meter.
10. Secure the all harnesses using cables ties (not supplied).
11. Refit all removed parts and secure all fasteners.
12. Place instructions in glove box after fitment.