

# TRAILBOSS

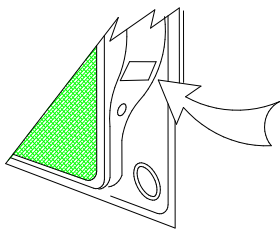
## Towbar Fitting Instructions To Suit LAND ROVER FREELANDER 2, Oct 2007-on Part Number QTRV17L Rating 2000 kg

### **WARNING:**

1. Do not, drill, cut, weld or otherwise modify the tow bar.
2. If you are using electric welding on a motor vehicle, **always** check that the vehicle is not equipped with electronic engine or instrument management equipment. Failure to do so could **destroy** any onboard computers. If in doubt, check with the vehicle's manufacturer.

### **General:**

1. Ensure all hardware items have been included refer to assembly diagram.
2. It is recommended that the instructions are read through and completely understood before making any attempt to fit this product.
3. Be wary of any changes to vehicle designs or other accessories that may conflict with the installation of this product.
4. Before drilling ensure that the area is clear of fuel, electrical & other components.
5. All holes drilled into the body panels shall have all burrs & swarf removed then coated with a suitable rust preventative paint.
6. The high tensile fasteners supplied with this product were used to achieve the specified rating. If replacement is required ensure that fasteners of the same rating & quality are used. Contact an authorized **Trailboss** dealer if further information is required.
7. Ensure that all hardware is fastened to torque list below check fasteners on regular basis.
8. Tow bar load rating sticker provided with this product shall be conspicuously located on inside rear end of the driver's door. **(See diagram below).**
9. Trailboss recommends that you check your tow ball to ensure that it complies with the Australian standards **AS 4177.2**.
10. **PLEASE NOTE:** It is advised to remove your lug or tbn when not actually towing so as to produce a clear view of the vehicles registration plate if obscured, and to also provide maximum available departure angle



Place load rating sticker  
inside driver's door here

### **FOR TOWING PURPOSES ONLY**

For towing capacity details please refer to vehicle owner's manual or to the manufacturer. Overloading can void your warranties.

### **RECOMMENDED ASSEMBLY TORQUE LISTING**

Diameter    Grade 8.8 Bolt

M6	9.5 Nm
M8	21.7 Nm
M10	43.4 Nm
M12	77.3 Nm
M16	189.8 Nm

### **Tow bar Maintenance and Care.**

Trailboss recommends that bolt torque's, as listed below, are routinely and regularly inspected and checked for correct tension. Replace any worn or defective parts.

We recommended to remove Tow Ball Mounts (TBM's, tongues or lugs) when not being used for any considerable length of time.

So as to avoid injury, when not towing it is suggested that the tongue, Pull Pin and R-clip are removed then stored in a safe, clean and dry place, away from excessive moisture.

Hitch Pull Pins and spring "R" clips are regularly checked for proper installation. Replace any worn or defective parts.

# TRAILBOSS

## Towbar Fitting Instructions To Suit LAND ROVER FREELANDER 2, Oct 2007-on Part Number QTRV17L Rating 2000 kg

11. Remove bumper bar
  - a. Remove taillight assembly via 2 screws on both sides, refer figure 1.
  - b. Remove 2 screws under the mud guard on both sides.
  - c. Remove 1 torx screws in front of mud guard on both sides then remove mud guards.
  - d. Remove 2 torx screws behind plastic wheel guard on both sides, refer figure 2.
  - e. Remove 2 torx screws on top of the bumper, refer figure 3.
  - f. Remove plastic step to gain access to 5 plastic scrivets to be removed, refer figure 4.
  - g. Remove 4 screws under the bumper bar.
  - h. Disconnect any wiring attached to bumper bar before removing rear bumper.
  - i. Remove plastic guards via 4 screws (to be reused).
12. Remove impact beam
  - a. Remove 4 nuts from each side of rear impact beam, refer figure 5.
  - b. Remove M14 set screws attaching towing lug, the screws to be refit to opposite side.
  - c. Removing impact beam.
14. Fitment the towbar via
  - a. Position towbar against chassis rails, for driver side place tow bar between towing hook plate and chassis rail.
  - b. For driver side use two M14x110 bolts, spring washer, flat washer provided to secure towing hook plate and tow bar to the vehicle, refer figure 6
  - c. Attach passenger side tow bar using M14 set screw previously from towing lug attachment.
  - d. Torque all bolts to recommend torque refers page1.
  - d. Reinstall plastic guards and impact beam.
15. Bumper cut detail
  - a. Establish centre line of bumper bar then mark out as detailed in figure 7
  - b. Cut section of bumper with modified hacksaw or similar device.
  - c. Cut 75mm wide and 85mm high from bottom of the bumper.
  - d. Reinstall the bumper in reverse order in step 11.



Figs 1 remove taillight assembly.



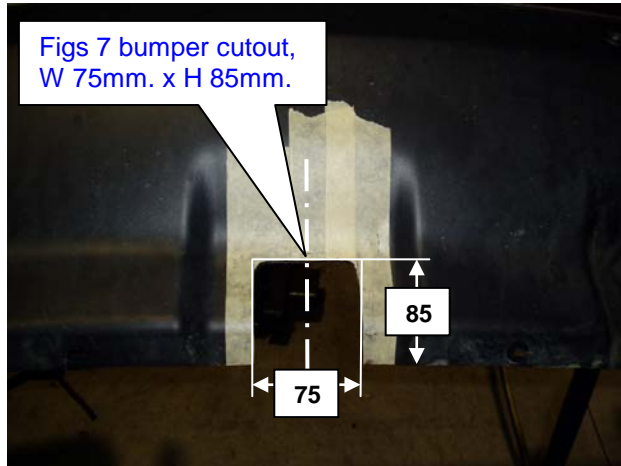
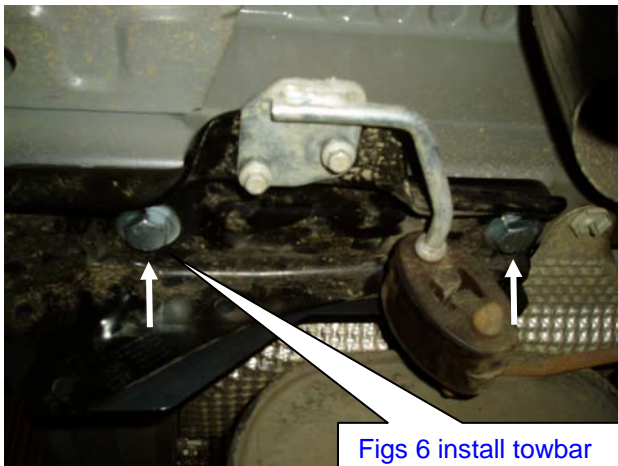
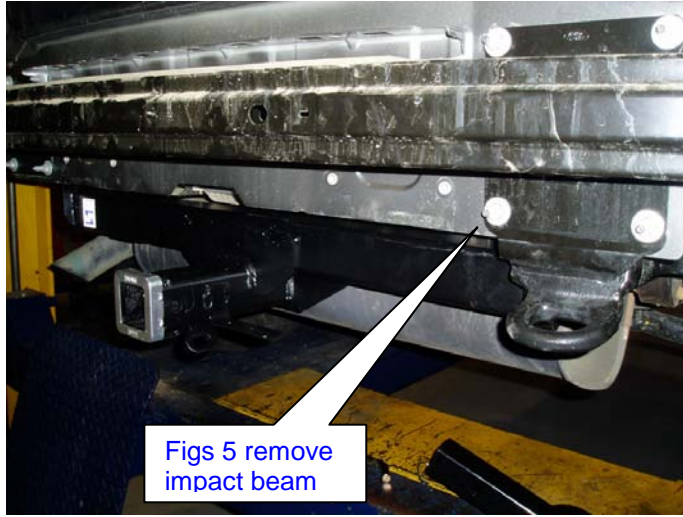
Figs 2 remove torx screws



Figs 3 remove torx screws

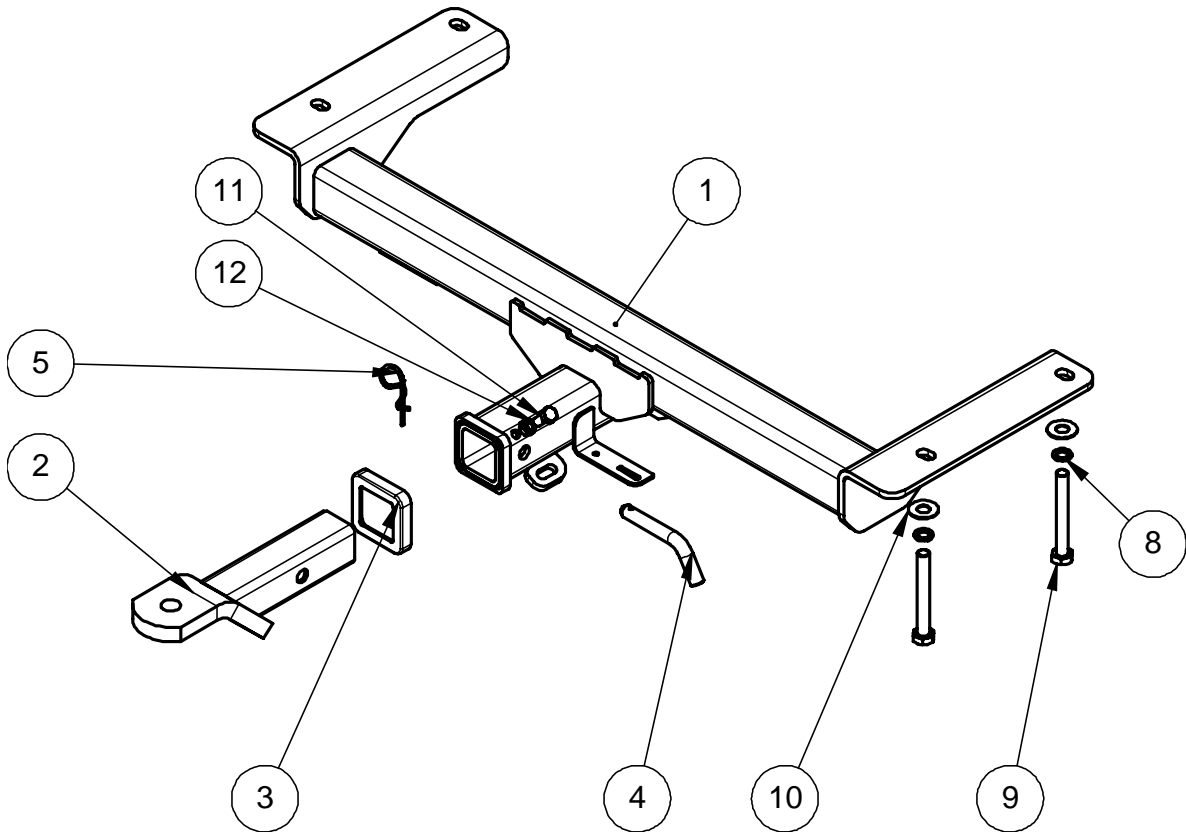
# TRAILBOSS

Towbar Fitting Instructions  
To Suit LAND ROVER FREELANDER 2, Oct 2007-on  
Part Number QTRV17L  
Rating 2000 kg



# TRAILBOSS

Towbar Fitting Instructions  
 To Suit LAND ROVER FREELANDER 2, Oct 2007-on  
 Part Number QTRV17L  
 Rating 2000 kg



ITEM NO.	DESCRIPTION	QTY.
1	RL FREELANDER2 WELDED ASSY	1
2	T.B.MOUNT	1
3	HITCH BOX COLLAR COVER	1
4	PULL PIN	1
5	SPRING COTTER PIN	1
6	FITTING INSTRUCTION	1
7	DOOR RATING STICKER	1
8	CS M14 SPRING WASHER	2
9	M14 X 110 BOLT STD THREAD	2
10	M14 FLAT WASHER	2
11	M10 x 25 1.5P BOLT	1
12	NUT M10 x 1.5P	1



Wiring Loom Fitting Instructions  
To Suit Land Rover Freelander 2  
Part Number 100078-WL

## Wiring Loom Installation Instructions

Land Rover Freelander 2  
Part No: 100078-WL

Tail Length Required: 1200mm

ECU Required Part No: 04826  
RPA Override Switch Part No: 04848 (If Fitted)

Wiring Loom Installation Time: Approx 35 Mins



Wiring Loom Fitting Instructions  
To Suit Land Rover Freelander 2  
Part Number 100078-WL

1. Dislodge the LHS and RHS tail light assemblies by removing the assembly fasteners. Disconnect and remove the tail light assembly.
2. On the LHS, push the tail light connector into the vehicle cavity area.
3. Remove the rear bumper fascia by removing all of its fasteners.
4. In the rear luggage compartment area, remove the rear sun shade, floor carpet and vehicle rear trim.
5. On the rear of the vehicle LHS quarter, remove the LHS tool tray.
6. Dislodge the LHS luggage compartment trim by removing the fasteners.
7. Disconnect the lamp connector and 12 volt aux connector.
8. Remove the fuse panel lid next to the spare wheel.
9. From outside the rear of the vehicle, connect the trailer patch harness (P/No: 100078-WL) connector to the vehicle harness tail light connector (note that the RHS of the harness only has two connectors).
10. Secure the tail harness (tail length 1200mm) trailer socket to the towbar mounting bracket using M4 fasteners (not supplied).
11. Connect trailer patch harness 8-way tail connector to tail harness 8-way connector. Using electrical grease or silicone, water proof the back of the tail harness and trailer patch harness 8-way connectors
12. Ensure the trailer patch harness grommet is seated correctly into the tail light grommet hole.
13. Inside the vehicle on the LHS, connect the trailer harness connector to the vehicle tail light connector.
14. Connect the trailer harness ECU connector to the ECU.
15. Route the trailer harness 1-way power connector towards the fuse panel box area.
16. Open the fuse box lid. Insert the supplied 25 amp fuse into the add-a-fuse harness.
17. Connect the add-a-fuse harness to the trailer patch harness and insert the other end of the add-a-fuse into the FA9 slot.
18. At the rear LHS quarter of the vehicle, secure the trailer harness ground ring terminal to the vehicle grounding point.
19. Mount the ECU to the LHS rear quarter cavity area behind the black covering
20. Refit the rear bumper fascia.



Wiring Loom Fitting Instructions  
To Suit Land Rover Freelander 2  
Part Number 100078-WL

21. Refit the LHS and RHS tail light assemblies by connecting the tail lights to the trailer patch harness connectors.
22. Test the Trailer socket using a light board or multi-meter.
23. Secure all harnesses using cables ties (not supplied).
24. Refit all removed parts and secure all fasteners.
25. Place instructions in glove box after fitment.