

TRAILBOSS

Towbar Fitting Instructions To Suit **LAND ROVER DISCOVERY SPORT L550** Part Number **QTRV22L** Rating **2200/150** kg

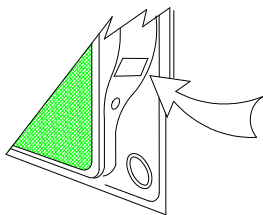
PLACE THESE INSTRUCTIONS IN THE VEHICLE'S GLOVEBOX AFTER INSTALLATION IS COMPLETED

WARNING:

1. Do not, drill, cut, weld or otherwise modify the tow bar.
2. If you are using electric welding on a motor vehicle, **always** check that the vehicle is not equipped with electronic engine or instrument management equipment. Failure to do so could **destroy** any onboard computers. If in doubt, check with the vehicle's manufacturer.
3. The high tensile fasteners supplied with this product were used to achieve the specified rating. If replacement is required ensure that fasteners of the same rating & quality are used. Contact an authorised **Trailboss** dealer if further information is required.
4. If TBM is used in inverted position tow ball may make contact with rear tailgate when lowered, which could cause damage.

General:

1. Ensure all hardware items have been included refer to assembly diagram.
2. It is recommended that the instructions are read through and completely understood before making any attempt to fit this product.
3. Be wary of any changes to vehicle designs or other accessories that may conflict with the installation of this product.
4. Before drilling ensure that the area is clear of fuel, electrical & other components.
5. All holes drilled into the body panels shall have all burrs & swarf removed then coated with a suitable rust preventative paint.
6. For vehicles that require the bumper to be cut. Ensure cut out area is in correct position on the vehicle prior to cutting the bumper.
7. The high tensile fasteners supplied with this product were used to achieve the specified rating. If replacement is required ensure that fasteners of the same rating & quality are used. Contact an authorized **Trailboss** dealer if further information is required.
8. Ensure that all hardware is fastened to torque list below check fasteners on regular basis.
9. Tow bar load rating sticker provided with this product shall be conspicuously located on inside rear end of the driver's door. **(See diagram below).**
10. Trailboss recommends that you check your tow ball to ensure that it complies with the Australian standards **AS 4177.2**.
11. **PLEASE NOTE:** It is advised to remove your LUG or TBM when not actually towing so as to produce a clear view of the vehicles registration plate if obscured, and to also provide maximum available departure angle



Place load rating sticker
inside driver's door here

FOR TRAILER TOWING PURPOSES ONLY
For towing capacity details please refer to vehicle owner's manual or to the manufacturer. Overloading can void your warranties.

RECOMMENDED ASSEMBLY TORQUE LISTING

Diameter	Grade 8.8 Bolt
M6	9.5 Nm
M8	21.7 Nm
M10	43.4 Nm
M12	77.3Nm
M14	146 Nm
M16	189.8 Nm

Tow bar Maintenance and Care.

Trailboss recommends that bolt torque's, as listed below, are routinely and regularly inspected and checked for correct tension. Replace any worn or defective parts.

We recommended to remove Tow Ball Mounts (TBM's, tongues or lugs) when not being used for any considerable length of time.

So as to avoid injury, when not towing it is suggested that the tongue, Pull Pin and R-clip are removed then stored in a safe, clean and dry place, away from excessive moisture.

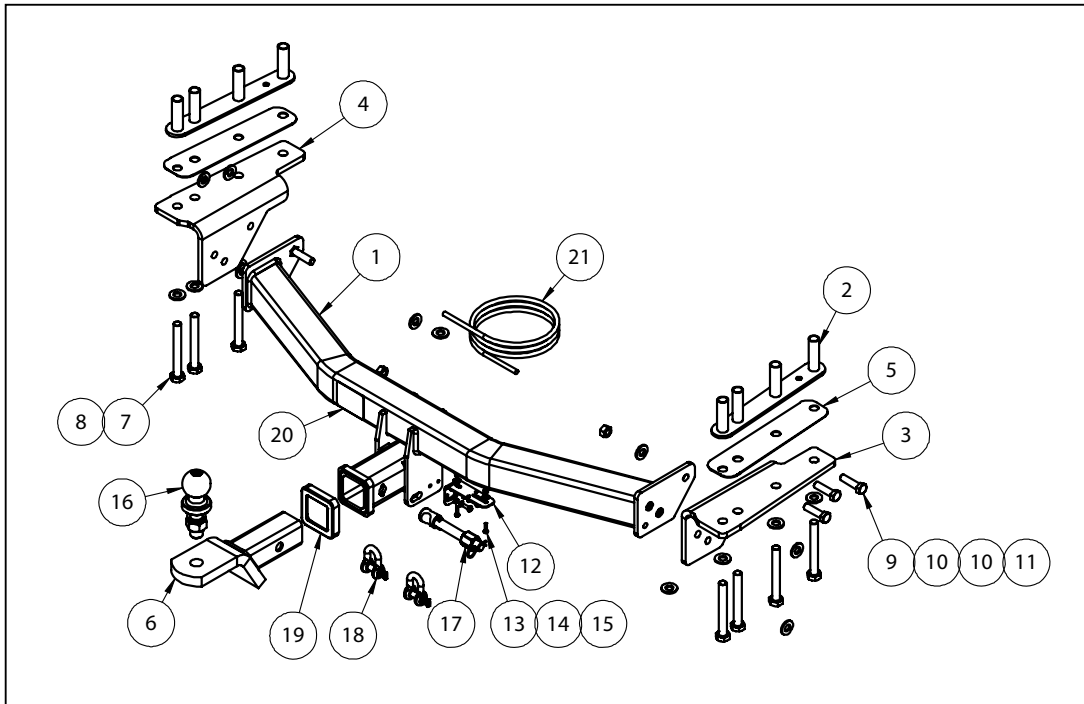
Hitch Pull Pins and spring "R" clips are regularly checked for proper installation. Replace any worn or defective parts.

Cequent Customer Service
Ph: 1800 812 017 Fax: 03 9898 3299
Email: info@cequent.com.au
Post: PO Box 4050, Dandenong South VIC 3175

TRAILBOSS

Towbar Fitting Instructions
 To Suit **LAND ROVER DISCOVERY SPORT L550**
 Part Number **QTRV22L**
 Rating **2200/150 kg**

PLACE THESE INSTRUCTIONS IN THE VEHICLE'S GLOVEBOX AFTER INSTALLATION IS COMPLETED



ITEM NO.	DESCRIPTION	QTY.
1	TOWBAR WELDED ASSEMBLY	1
2	CHASSIS RAIL BRACKET	2
3	SIDE ARM - RHS	1
4	SIDE ARM - LHS	1
5	WASHER PLATE	2
6	CLASS 4 TBM ASSY	1
7	BOLT STD THREAD M14x110	8
8	FT WASHER M14x28x3 Z/P	8
9	SET SCREW M12x45x1.25P	6
10	WASHER FLAT 1/2"x1 1/8"x1/8"	8
11	NUT HEX PC8 M12x1.25	2
12	UNIVERSAL PLUG BRACKET KIT	1
13	SCREW PAN XR MTS M4-0.7x16 Z/P	2
14	FLAT WASHER 3/16 x1/2 Z/P	2
15	NUT NYLOC M4-0.7 Z/P	2
16	50mm TOWBALL	1
17	SILENT HITCH PIN - SILVER	1
18	10mm "D" SHACKLE	2
19	HITCH BOX COLLAR COVER	1
20	ACRYLIC COMPLIANCE PLATE	1
21	WIRING LOOM	1

Cequent Customer Service
 Ph: 1800 812 017 Fax: 03 9898 3299
 Email: info@cequent.com.au
 Post: PO Box 4050, Dandenong South VIC 3175

TRAILBOSS

Towbar Fitting Instructions
To Suit **LAND ROVER DISCOVERY SPORT L550**
Part Number **QTRV22L**
Rating **2200/150 kg**

PLACE THESE INSTRUCTIONS IN THE VEHICLE'S GLOVEBOX AFTER INSTALLATION IS COMPLETED

1. Remove 2 x hex head screws from underside of rear bumper panel.



2. Remove left panel from interior boot trim. Remove spring loaded screw securing left tail light assembly.



3. Remove vent from right side of interior boot trim. Remove spring loaded screw securing right tail light assembly.



Cequent Customer Service
Ph: 1800 812 017 Fax: 03 9898 3299
Email: info@cequent.com.au
Post: PO Box 4050, Dandenong South VIC 3175

TRAILBOSS

Towbar Fitting Instructions
To Suit **LAND ROVER DISCOVERY SPORT L550**
Part Number **QTRV22L**
Rating **2200/150 kg**

PLACE THESE INSTRUCTIONS IN THE VEHICLE'S GLOVEBOX AFTER INSTALLATION IS COMPLETED

4. Remove both tail light assemblies; disconnect wiring during removal.
5. Remove 1 x screw from under tail light assembly.

Repeat for opposite side of vehicle.
6. Remove 2 x xmas tree clips from boot cavity.



7. Remove 6 x hex head screws (3 per side) from rear of rear bumper.



8. Remove 2 x hex head screws from under rear bumper, behind rear wheel arch.

Repeat for opposite side of vehicle.



Cequent Customer Service
Ph: 1800 812 017 Fax: 03 9898 3299
Email: info@cequent.com.au
Post: PO Box 4050, Dandenong South VIC 3175

TRAILBOSS

Towbar Fitting Instructions
To Suit **LAND ROVER DISCOVERY SPORT L550**
Part Number **QTRV22L**
Rating **2200/150 kg**

PLACE THESE INSTRUCTIONS IN THE VEHICLE'S GLOVEBOX AFTER INSTALLATION IS COMPLETED

9. Remove 2 x screws from within rear wheel arch.

Repeat for opposite side of vehicle.



10. Partly remove rear wheel arch trim; remove 1 x hex head screw from top corner of rear bumper.

Repeat for opposite side of vehicle.

11. Carefully unclip and remove rear bumper; disconnect parking sensor loom during this process.



12. Remove 6 x bolts (3 per side) securing rear impact beam. Remove and retain rear impact beam.



Cequent Customer Service

Ph: 1800 812 017 Fax: 03 9898 3299

Email: info@cequent.com.au

Post: PO Box 4050, Dandenong South VIC 3175

TRAILBOSS

Towbar Fitting Instructions
To Suit **LAND ROVER DISCOVERY SPORT L550**
Part Number **QTRV22L**
Rating **2200/150 kg**

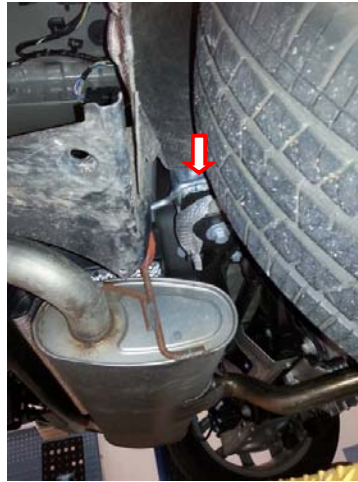
PLACE THESE INSTRUCTIONS IN THE VEHICLE'S GLOVEBOX AFTER INSTALLATION IS COMPLETED

13. Remove 1 x hex head screw from exhaust mount bracket.

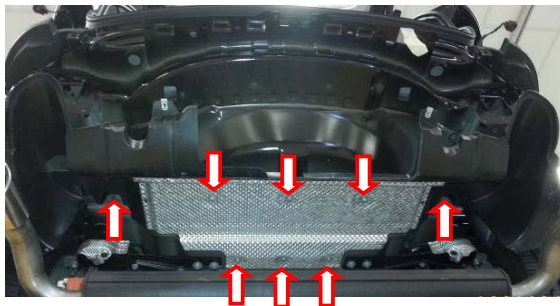
Repeat for opposite side of vehicle.

14. Unhook exhaust mount brackets and lower rear section of exhaust.

Note: Support will be required for exhaust.



15. Remove 8 x heat shield clips from underside of underbody cladding; remove and retain underbody cladding.



16. Remove and retain 2 x nuts securing underbody cladding bracket to inside face of chassis rail. Remove and retain underbody cladding bracket.

Repeat for opposite side of vehicle.

17. Remove and discard 2 x hex head bolts securing factory tow hook from right hand chassis rail. Remove and discard factory tow hook.



Cequent Customer Service

Ph: 1800 812 017 Fax: 03 9898 3299

Email: info@cequent.com.au

Post: PO Box 4050, Dandenong South VIC 3175

TRAILBOSS

Towbar Fitting Instructions
To Suit **LAND ROVER DISCOVERY SPORT L550**
Part Number **QTRV22L**
Rating **2200/150 kg**

PLACE THESE INSTRUCTIONS IN THE VEHICLE'S GLOVEBOX AFTER INSTALLATION IS COMPLETED

18. Cut rear most stud from both underbody cladding brackets.



19. Insert chassis rail bracket into chassis rail.
Repeat for opposite side of vehicle.



20. Loosely secure side arm to underside of chassis rail, complete with washer plate, using 4 x M14 bolts, complete with 1 x flat washer per bolt.

Repeat for opposite side of vehicle.



Cequent Customer Service

Ph: 1800 812 017 Fax: 03 9898 3299

Email: info@cequent.com.au

Post: PO Box 4050, Dandenong South VIC 3175

TRAILBOSS

Towbar Fitting Instructions
To Suit **LAND ROVER DISCOVERY SPORT L550**
Part Number **QTRV22L**
Rating **2200/150 kg**

PLACE THESE INSTRUCTIONS IN THE VEHICLE'S GLOVEBOX AFTER INSTALLATION IS COMPLETED

21. Loosely secure towbar welded assembly to side arms using 3 x M12 hex head screws per side.

Use 1 x flat washer per set screw for the two rear most screws, and 2x flat washers and 1 x hex nut for the forward most screw.

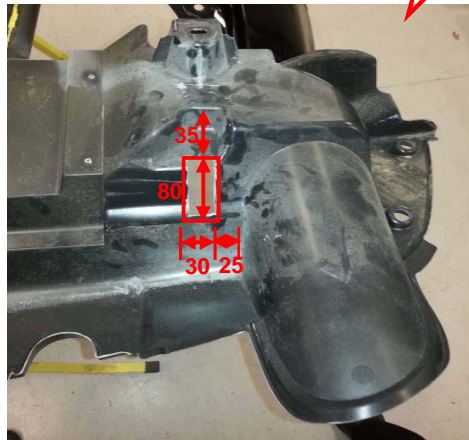
22. Tighten the M12 **AND** M14 fasteners to 125N.m.



23. On underbody cladding, trim rear web of outermost mounting points.

Cut out a rectangular hole 80mm tall x 30mm wide as shown in figures below for both sides.

Important: Markout cuts and validate against vehicle prior to making cutouts.



Cequent Customer Service
Ph: 1800 812 017 Fax: 03 9898 3299
Email: info@cequent.com.au
Post: PO Box 4050, Dandenong South VIC 3175

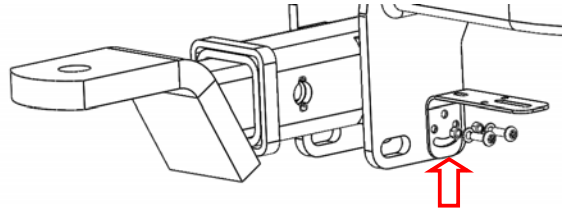
TRAILBOSS

Towbar Fitting Instructions
To Suit **LAND ROVER DISCOVERY SPORT L550**
Part Number **QTRV22L**
Rating **2200/150 kg**

PLACE THESE INSTRUCTIONS IN THE VEHICLE'S GLOVEBOX AFTER INSTALLATION IS COMPLETED

24. Reinstall the underbody cladding, exhaust mounts, rear impact beam and bumper following steps 1 to 16 in reverse order.

25. Install plug bracket onto 2 holes on centre section of towbar using 2 x M5 screws, complete with 1 x flat washer and 1 x nyloc nut per screw.



Cequent Customer Service
Ph: 1800 812 017 Fax: 03 9898 3299
Email: info@cequent.com.au
Post: PO Box 4050, Dandenong South VIC 3175



Wiring Loom Fitting Instructions
To Suit Land Rover Discovery Sport 550 Series
Part Number 101409-WL (QTRV22L)

Wiring Loom Installation Instructions

Land Rover Discovery Sport 550 Series
Part No: 101409-WL

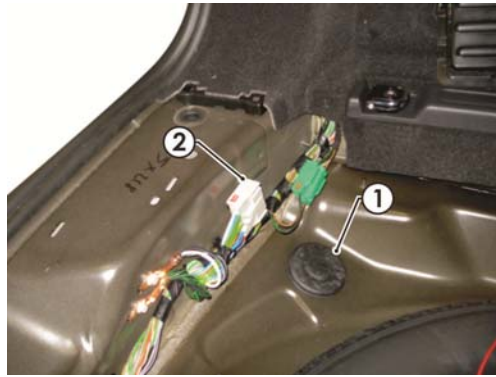
Tail Harness Length Required: 1200mm

Wiring Loom Installation Time: Approx. 25 Mins

TRAILBOSS

Wiring Loom Fitting Instructions To Suit Land Rover Discovery Sport 550 Series Part Number 101409-WL (QTRV22L)

1. Gain access to the rear of the vehicle, remove the luggage compartment floor trim.
2. Remove the luggage compartment rear trim.
3. Remove the LHS and RHS tool trays.
4. On the LHS of the spare wheel well, locate and remove the vehicle grommet (1).
5. Cut a Ø30mm hole into the center of the grommet. Refit grommet after cutting.
6. Connect the trailer patch (P/No: 101409-WL) 13-way connector to the vehicle breakout connector (2).



7. At the rear exterior of the vehicle, mount the tail harness socket to the tow bar mounting bracket using M4 fasteners (not supplied).
8. Route the tail harness (tail length: 1200mm) across the LHS and up into the previously cut out grommet. Adjust the trailer patch harness grommet so that it is seated correctly and cable tie (not supplied) in place.
9. Seal the cut out grommet with silicone (not supplied) after routing.
10. Connect the tail harness (tail length 1200mm) 8-way connector to the trailer patch mating 8-way connector.
11. Refit the tail lights.
12. Test the trailer patch function using a light board or multi-meter.
13. Secure all harnesses using cable ties (not supplied).
14. Re-fit all removed parts and secure all fasteners, ensuring there are no squeaks or rattles.
15. Place the fitting instructions in the glove box after fitment.
16. The park assist can be disabled via a switch on the dash next to the entertainment screen.



FITTING INSTRUCTIONS

Silent Anti-Rattle Hitch Pin (PR0001)

• These fitting instructions are supplied to ensure understanding of how the HITCH PIN should be fitted and used correctly.

• Once installed, we recommend **ALL** instructions are kept and placed in the vehicle glove box.

NOTE: Routine maintenance and inspection of the towbar & HITCH PIN is required. Regularly inspect for wear and check the tightness of the Hitch Pin. Follow instructions below to retighten the nut when necessary.

***Do not tow with your vehicle if the R CLIP or the HITCH PIN is loose or missing. Replacement parts are available from your Pro Series Distributor.**

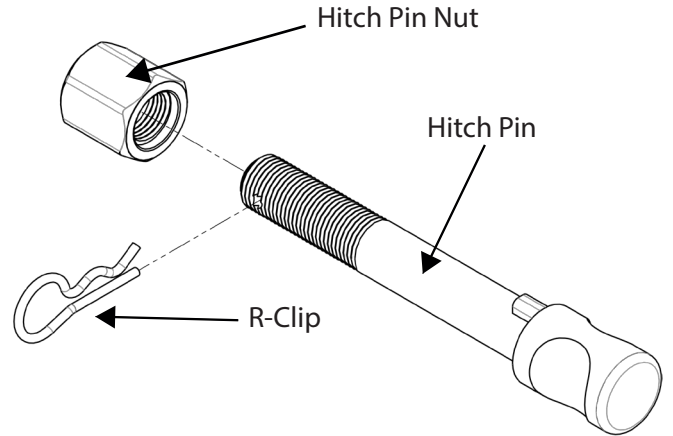


Fig 1. Silent Anti-Rattle Hitch Pin assembly

STEP 1

Insert Trailer Ball Mount (TBM) into towbar HITCHBOX, aligning hole in TBM SHANK with hole in HITCHBOX (Fig 2).

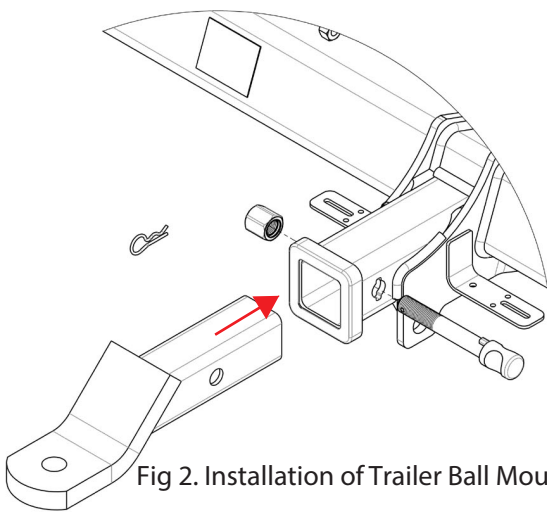


Fig 2. Installation of Trailer Ball Mount

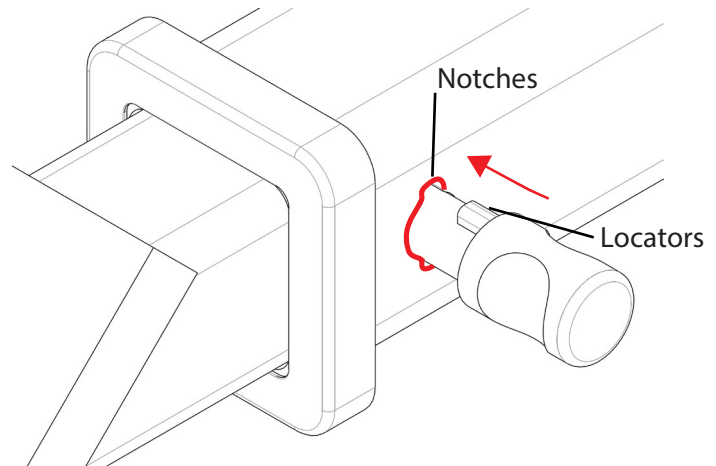


Fig 3. Silent Anti-Rattle Hitch Pin orientation

STEP 2

Insert HITCH PIN through hole in HITCHBOX and hole in TBM SHANK; ensure the LOCATORS are inserted into the NOTCHES in the HITCHBOX (Fig. 3).

STEP 3

Screw HITCH PIN NUT onto HITCH PIN; tighten HITCH PIN NUT until finger tight, ensuring TBM is restrained from movement.

STEP 4

Tighten HITCH PIN NUT by turning nut a further 1/8th of a turn in the clockwise direction using a 24mm spanner (Fig. 4).

STEP 5

Install HITCH PIN R CLIP through the hole on the HITCH PIN (Fig. 1).

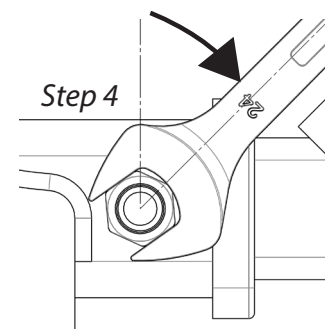


Fig 4. Tightening of Silent Anti-Rattle Hitch Pin Nut