

TRAILBOSS

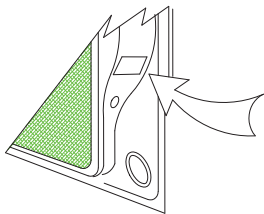
Towbar Fitting Instructions To Suit Volvo S60 2011-on Part Number QTVO005L Rating 1800/150 kg

WARNING:

1. Do not, drill, cut, weld or otherwise modify the tow bar.
2. If you are using electric welding on a motor vehicle, **always** check that the vehicle is not equipped with electronic engine or instrument management equipment. Failure to do so could **destroy** any onboard computers. If in doubt, check with the vehicle's manufacturer.
3. The high tensile fasteners supplied with this product were used to achieve the specified rating. If replacement is required ensure that fasteners of the same rating & quality are used. Contact an authorised **Trailboss** dealer if further information is required.

General:

1. Ensure all hardware items have been included refer to assembly diagram.
2. It is recommended that the instructions are read through and completely understood before making any attempt to fit this product.
3. Be wary of any changes to vehicle designs or other accessories that may conflict with the installation of this product.
4. Before drilling ensure that the area is clear of fuel, electrical & other components.
5. All holes drilled into the body panels shall have all burrs & swarf removed then coated with a suitable rust preventative paint.
6. For vehicles that require the bumper to be cut. Ensure cut out area is in correct position on the vehicle prior to cutting the bumper.
7. The high tensile fasteners supplied with this product were used to achieve the specified rating. If replacement is required ensure that fasteners of the same rating & quality are used. Contact an authorized **Trailboss** dealer if further information is required.
8. Ensure that all hardware is fastened to torque list below check fasteners on regular basis.
9. Tow bar load rating sticker provided with this product shall be conspicuously located on inside rear end of the driver's door. **(See diagram below)**.
10. Trailboss recommends that you check your tow ball to ensure that it complies with the Australian standards **AS 4177.2**.
11. **PLEASE NOTE:** It is advised to remove your lug or tbm when not actually towing so as to produce a clear view of the vehicles registration plate if obscured, and to also provide maximum available departure angle
12. Pull Pin must be fit in down position.



Place load rating sticker
inside driver's door here

FOR TRAILER TOWING PURPOSES ONLY
For towing capacity details please refer to vehicle owner's manual or to the manufacturer. Overloading can void your warranties.

RECOMMENDED ASSEMBLY TORQUE LISTING

<u>Diameter</u>	<u>Grade 8.8 Bolt</u>
M6	9.5 Nm
M8	21.7 Nm
M10	43.4 Nm
M12	77.3Nm
M14	146 Nm
M16	189.8 Nm

Tow bar Maintenance and Care.

Trailboss recommends that bolt torque's, as listed below, are routinely and regularly inspected and checked for correct tension. Replace any worn or defective parts.

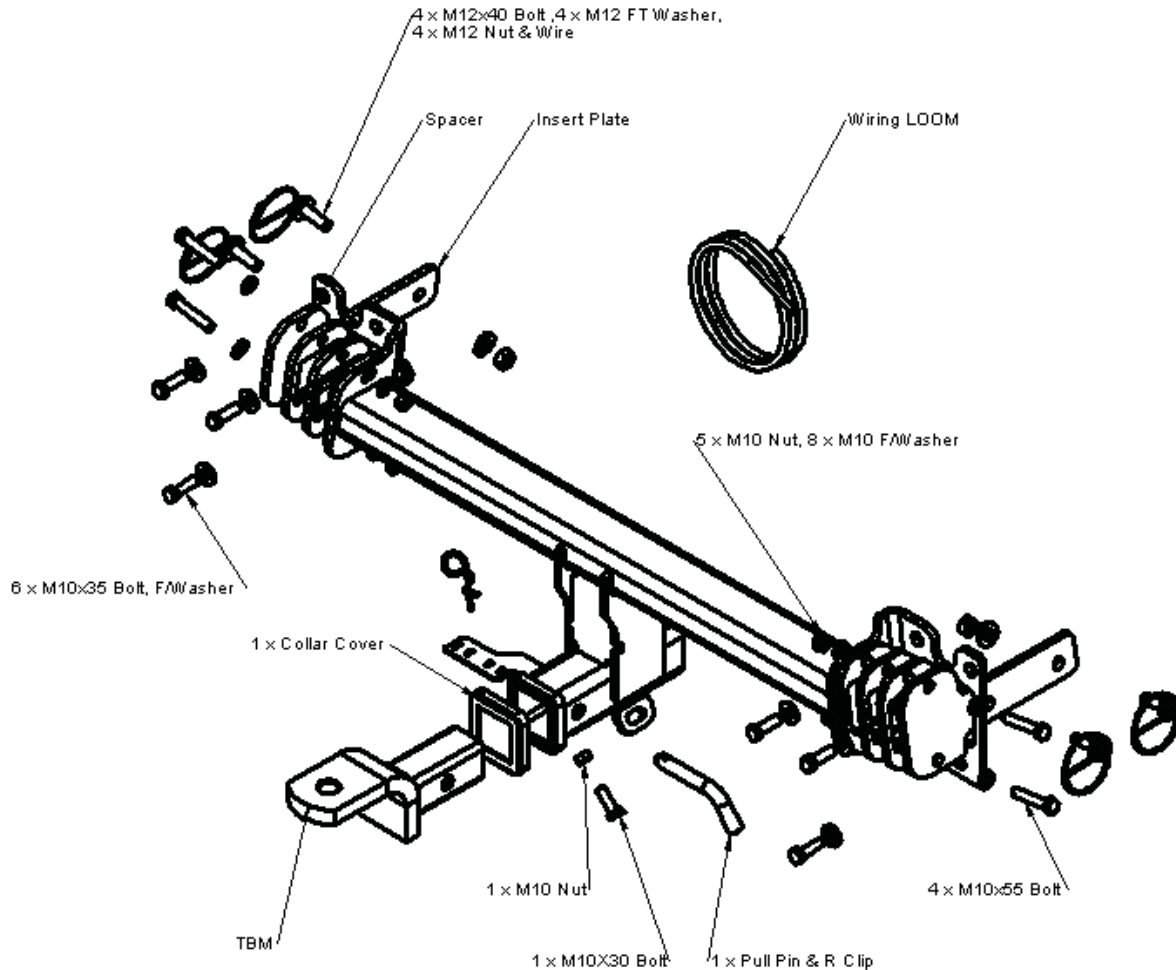
We recommended to remove Tow Ball Mounts (TBM's, tongues or lugs) when not being used for any considerable length of time.

So as to avoid injury, when not towing it is suggested that the tongue, Pull Pin and R-clip are removed then stored in a safe, clean and dry place, away from excessive moisture.

Hitch Pull Pins and spring "R" clips are regularly checked for proper installation. Replace any worn or defective parts.

TRAILBOSS

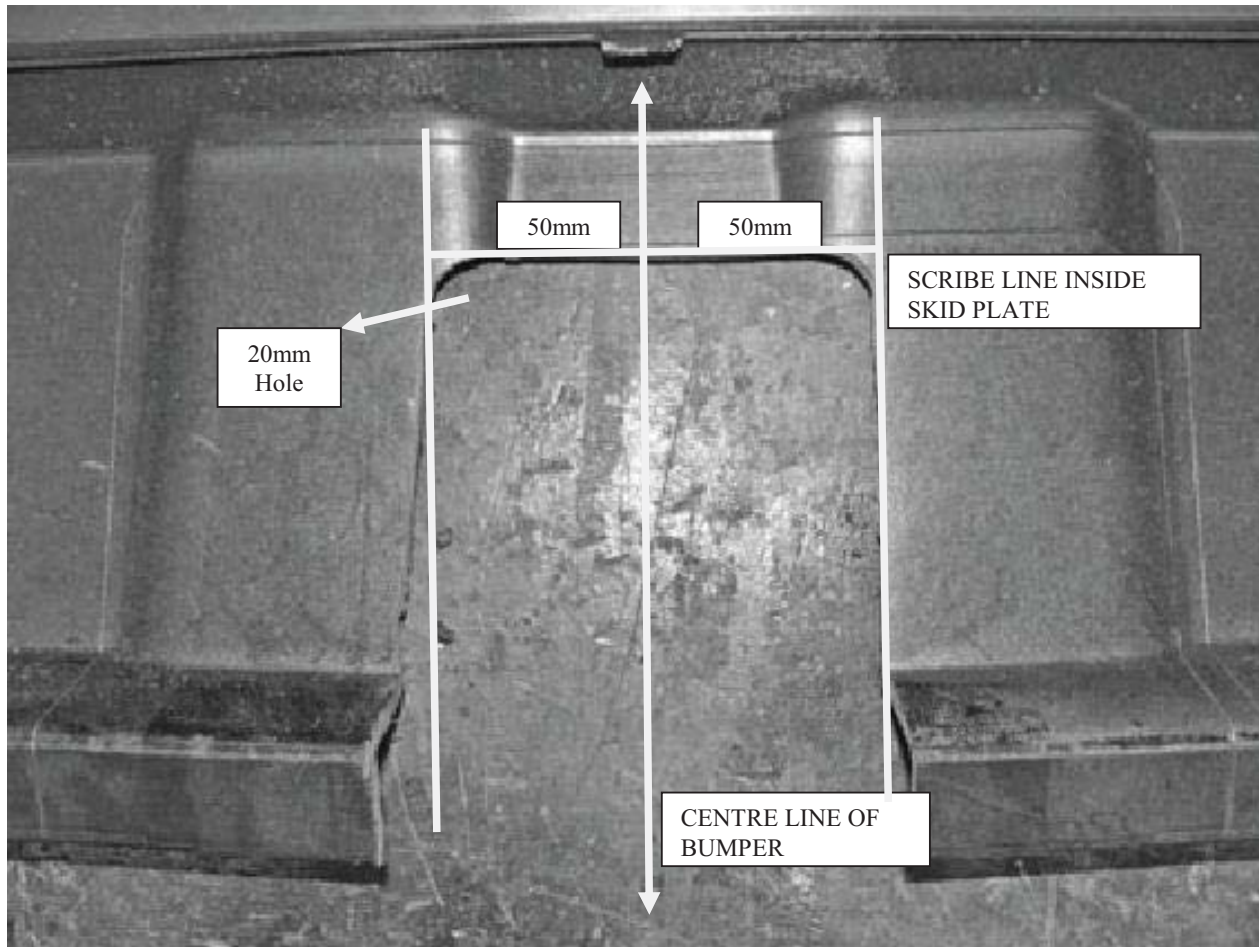
Towbar Fitting Instructions To Suit Volvo S60 2011-on Part Number QTVO005L Rating 1800/150 kg



1. Remove rear bumper according to the workshop manual. **Note:** Remove any electrical connections to the bumper before completely removing from vehicle.
2. Remove 3 x Bolts from each side to remove rear impact beam. Lower exhaust by removing the rear most bolts on the side. Move heat shield to allow access to chassis rails.
3. Loosely secure Towbar to vehicle using M10 x 35 Bolts(Black) and M10 x 25.4 Flat Washers. Refer to above Figure
4. Attach Insert Plates and 3 x Spacers to each side of Towbar using M10 x 55 Bolts, M10 x 21 Flat Washers and M10 Nuts. Uncoil the wire on the M12 Bolt/Wire assembly and insert in to chassis rail and secure Insert Plates. Use M12 Flat Washers and M12 Nuts from the outside of the chassis rails.
5. Ensure Towbar is square to vehicle and tighten bolts to the specified torque setting. Refer to table above.
6. Cut rear bumper / skid plate following the instructions on Page 6. Attach Bumper Trim on to cut edge of bumper and cut off excess. Adjust heat shield to its original position. Ensure that there is sufficient clearance between the Towbar and the heat shield. Lift exhaust system in to place and tighten bolts to 50Nm. Re-fit rear bumper to vehicle in reverse order of removal.
7. Insert Tongue in to Towbar and secure with Pull Pin and R-Clip. Use M10 x 30 Bolt and M10 Nut to prevent Tongue from rattling. Do not over tighten M10 bolt.
8. Attach Load Rating Label on to the Driver's door.

Towbar Fitting Instructions
To Suit Volvo S60 2011-on
Part Number QTVO005L
Rating 1800/150 kg

FIGURE 1: CUT-OUT FOR SKID PLATE



BUMPER CUT-OUT INSTRUCTIONS

1. Locate and mark the Centre Line from inside the rear bumper / skid plate.
2. Using Figure 1 for the rear bumper and Figure 2 for the skid plate as a guide, mark a parallel line 50mm from the Centre Line on both sides of the Centre Line.
3. Locate the scribe line from inside the rear bumper / skid plate. Mark along the scribe line and join the two lines
4. Mark Centre of holes as shown on Figure 1 & 2. Mark out line of the 20mm holes using the centres, Drill 5mm pilot hole on the hole centres, Use a step drill or hole saw and enlarge holes to 20mm.
5. Use jig saw or similar tool to cut along the solid lines as marked, Trim loose material using a trim tool

TRAILBOSS

Towbar Fitting Instructions
To Suit Volvo S60 2011-on
Part Number QTVO005L
Rating 1800/150 kg

FIGURE 2: CUT-OUT FOR BUMPER





Wiring Loom Fitting Instructions
To Suit Volvo S60
Part Number 100506-WL

Wiring Loom Installation Instructions

Volvo S60
Part No: 100506-WL

ECU Required: 04826
Tail Harness Length Required: 1200mm

Wiring Loom Installation Time: Approx 30 Mins

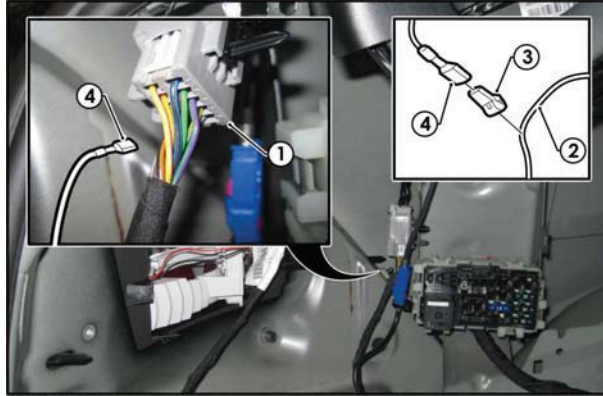
Note: Factory RPA cannot be overridden, however it can be disabled through a switch located on the vehicle dashboard.



Wiring Loom Fitting Instructions
To Suit Volvo S60
Part Number 100506-WL

1. In the luggage compartment, remove the spare wheel.
2. Remove the floor carpet cover.
3. Remove the rear trim.
4. Remove the four fasteners on the LHS of the luggage compartment floor.
5. Remove the two fasteners on the RHS of the luggage compartment floor.
6. Remove the RHS access panels cover.
7. Dislodge the RHS side trim to expose the RHS tail light connector.
8. Dislodge the LHS side trim.
9. Disconnect the 12v accessory connector.
10. Remove the LHS side trim.
11. From outside the vehicle, drill a Ø31mm hole into the underside of the LHS rear bumper.
12. File any rough or sharp edges and spray on rust inhibitor.
13. From inside the luggage compartment, disconnect the RHS tail light connector.
14. Patch in the trailer patch (P/No: 100506-WL) mating connectors.
15. Route the trailer harness from the RHS, across the rear of the luggage compartment and towards the LHS of the vehicle.
16. Disconnect the LHS tail light connector.
17. Patch in the trailer patch mating connectors.
18. Connect the trailer harness ground ring terminal to the vehicle grounding point.

Wiring Loom Fitting Instructions To Suit Volvo S60 Part Number 100506-WL



19. Locate the 10-way 'GREY' connector (1).
 20. Using a multi meter, locate the vehicle reverse wire (2).
 21. Connect the ezy tap (3) to the vehicle reverse wire and then connect the trailer harness terminal (4) to the ezy tap (3).
 22. Locate the vacant fuse slot below the 15-amp fuse.
 23. Insert the supplied 20-amp fuse into the upper slot of the add-a-fuse harness (3).
 24. Plug the add-a-fuse harness into the vacant fuse slot on the fuse panel.
 25. Connect the 'ORANGE' power wire 1-way connector into the add-a-fuse harness mating connector.
- Note: If the fuse location is occupied, first remove the vehicle fuse and insert it into the lower slot of the add-a-fuse harness.**
26. Connect the trailer harness 12-way connector to the ECU (04826).
 27. Apply double sided tape to the ECU and adhere it to the outward face of the inner sheet metal on the RHS of the luggage compartment.
 28. Mount the trailer socket to the towbar mounting bracket using M4 fasteners (not supplied).
 29. Route the tail harness across the towbar towards the RHS of the vehicle and up through the previously drilled out hole.
 30. Ensure the tail harness grommet is seated correctly and secure in place using a cable tie (not supplied).
 31. Connect the tail harness (tail length 1200mm) 8-way connector to the trailer harness mating 8-way connector.
 32. Test the Trailer socket using a light board or multi-meter.



Wiring Loom Fitting Instructions
To Suit Volvo S60
Part Number 100506-WL

33. Secure the all harnesses using cables ties (not supplied).
34. Re-fit all removed parts and secure all fasteners.
35. Place instructions in glove box after fitment.