

Fitting Instructions



SKU

T7H765

PRODUCT

**TAG Heavy Duty Towbar
for Isuzu DMAX (07/2020 - on) &
Mazda BT50 (08/2020 - on)**

SPECIFICATIONS

- Towbar Class: CL 4 Heavy Duty
- Towing Capacity: 3500kg
- Tow ball Weight: 350kg
- Approx. Fitment Time: 90 Minutes

Style-Side & Cab Chassis variants.



Scan for latest
version of these
instructions

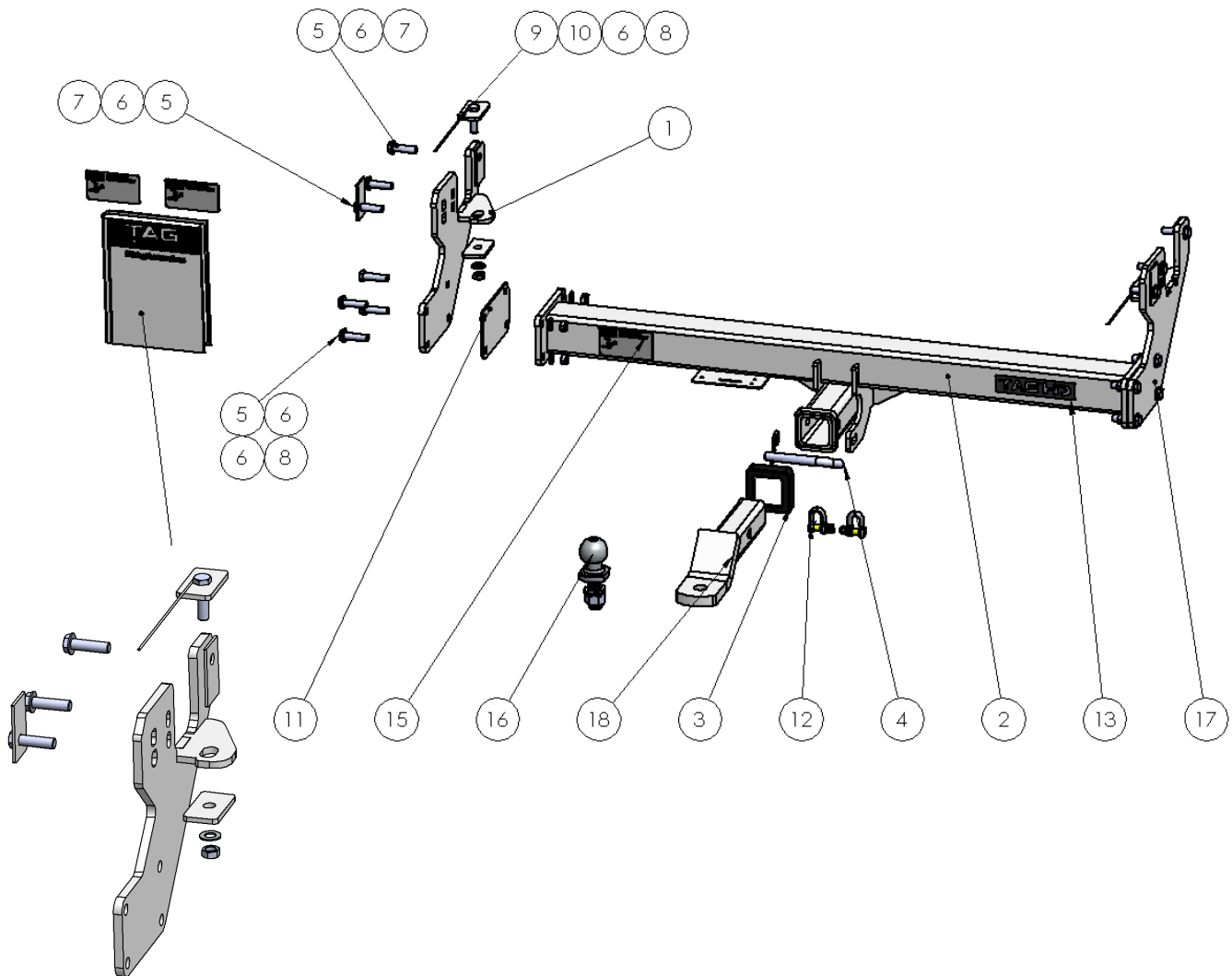
TOOLS REQUIRED

- Spanners
- Sockets
- Air Saw or similar.
- Trim Removal Tool
- Torque Wrench

IN THIS GUIDE

- Fitment Instructions
- Torque Settings
- Warranty Info

Towbar Assembly



Item No.	Description	QTY.	Item No.	Description	QTY.
1	End Plate Assembly PS	1	10	Plate 40x70x6 M14 Hole	2
2	T7H765 Welded Assembly	1	11	End Plate Spacer	2
3	TAG Hitch Cover	1	12	D-Shackle - 10mm. 1000kg	2
4	Class 4 Pin & Clip	1	13	TAG HD Sticker 150 x 33mm	1
5	M12 x 1.25 x 45 Hex Bolt	14	14	Fitting Instruction - T7H765	1
6	M12 Flat Washer	24	15	TAG Compliance Sticker	3
7	3mm Spacer	4	16	50mm TAG Tow Ball - Chrome	1
8	M12 x 1.25 Nut	10	17	End Plate Assembly DS	1
9	M12 x 1.25 x 45 Bolt & Plate on Wire	2	18	L4045 TBM	1

Important Information



Warning:

- This product is for towing purposes only and must only be loaded as shown in your vehicle Owner's Manual.
- This towbar is NOT to be drilled, cut, welded, or modified in any way.
- Check behind chassis rail and body panels before drilling to ensure no hazards are present.
- All load ratings shown are under the assumption your trailer has a functional braking system installed.
- When installed in positions other than the one depicted in these instructions the Tow Ball Mount may interfere or obstruct certain features of your vehicle (tailgate opening, Chassis clearance, etc.)

General:

- Before fitting this towbar read fitting instructions and check installation hardware is correct.
- Check that the towbar is suitable for the vehicle and be wary of any changes to the vehicle design that may conflict with the fitting of this towbar. (Tray, Canopy, Suspension etc.)
- After drilling, blow any filings clear, remove any burrs and treat exposed metal with a rust inhibitor.
- The high tensile fasteners supplied with this product are an integral feature to achieving the specified rating, if replacement is required ensure that fasteners of the same grade (8.8) & quality are used. Contact an authorised TAG distributor or the TAG fitment center - (07) 3208 3022 - if further information is required.

Towbar Maintenance and Care:

It is recommended, when not in use, that the Tow Ball Mount assembly and class 4 Pin and Clip is stored inside the car away from moisture to prevent standing water from forming rust. Inspect to ensure, on regular basis, fasteners are torqued to the specifications below and in good condition.

Ensure that the fitting instructions are read and understood prior to fitment, Following the fitment place these instructions in the vehicle's glovebox after installation is completed.

Metric Bolt Torque Settings

Diameter	Pitch	Grade	Torque	Unit		Diameter	Pitch	Grade	Torque	Unit
M8	1.25	8.8	29	Nm		M12	1.25	10.9	125	Nm
M10	1.25	8.8	57	Nm		M12	1.50	10.9	105	Nm
M10	1.50	8.8	44	Nm		M14	1.25	10.9	195	Nm
M12	1.25	8.8	101	Nm		M14	1.50	10.9	165	Nm
M12	1.50	8.8	97	Nm		M16	1.25	10.9	295	Nm
M12	1.75	8.8	77	Nm		M16	1.50	10.9	250	Nm
M14	2.00	8.8	122	Nm		50mm Tow Ball	N/A	N/A	300	Nm
M16	2.00	8.8	190	Nm		70mm Tow Ball	N/A	N/A	750	Nm



Step 1: Fit Towbar

Steps (a-e) apply to Dmax Style Side only.

- a. Insert welded bolt plate on wire into the end of the chassis rail and allow it to protrude through the forward-most hole in the bottom face.
- b. Lift the end plate up to the outside of the chassis and align holes.
- c. Loosely fasten the end plate to the side of the chassis with 3x M12 x 1.25 x 45 bolts with flat washers. **Note: place one of the 3mm spacers provided under the head of the bolt used in the rear-most square hole.**
- d. Loosely secure the underside bolt (step a) with one of the 40x70x6, flat washer & M12x 1.25 nut.
- e. Repeat steps a-d on opposite side.
- f. **Skip to step k.**

Steps (g-j) apply to Dmax Cab Chassis & Bt50 Style Side & Cab Chassis.

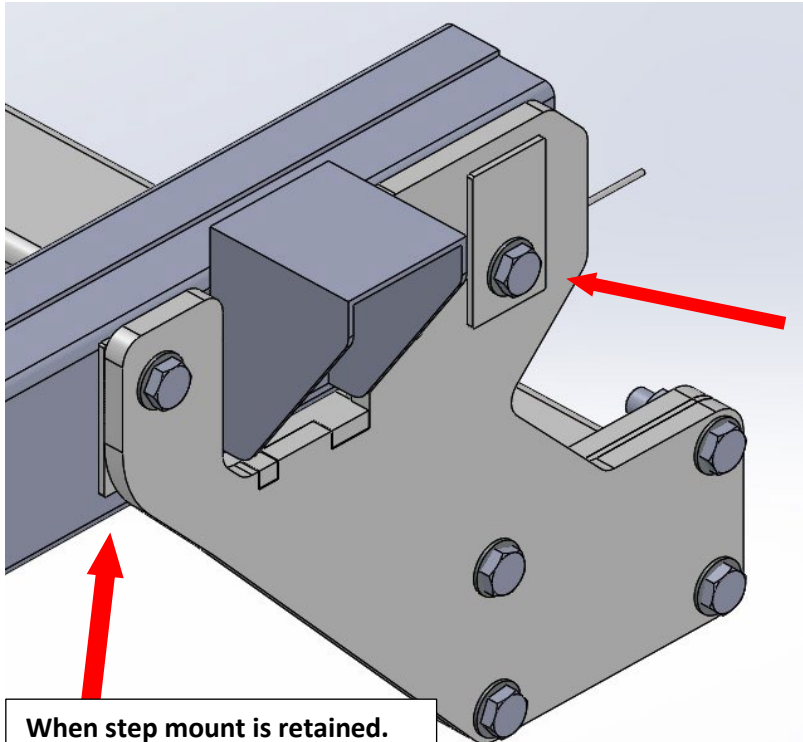
Please Note: Towbar end plates are installed over the outside of the bumper bar mounts.

- g. Remove the 2x M12 bolts fastening the bumper brackets to the chassis and discard. Support the bumper to remain in place.
- h. Insert welded bolt plate on wire into the end of the chassis rail and allow it to protrude through the forward-most hole in the bottom face.
- i. Loosely fasten the end plate to the side of the chassis with 3x M12 x 1.25 x 45 bolts with flat washers. Note: place one of the 3mm spacers provided under the head of the bolt used in the rear-most square hole. Another 3mm spacer must be inserted between the chassis and the towbar end plate at the forward-most hole.
- j. Repeat steps f-h on opposite side.

Steps (k-n) apply to all variants.

- k. Lift the towbar crossmember up to the endplates.
- l. Loosely secure towbar crossmember to side plates with the remaining M12 x 1.25 x 45 bolts with flat washers & nuts.
- m. Insert the 3mm shim plates if there is a sizable gap between the end plate and main bar. Otherwise discard the shim plates
- n. Fasten all bolts to torque spec on page 3.

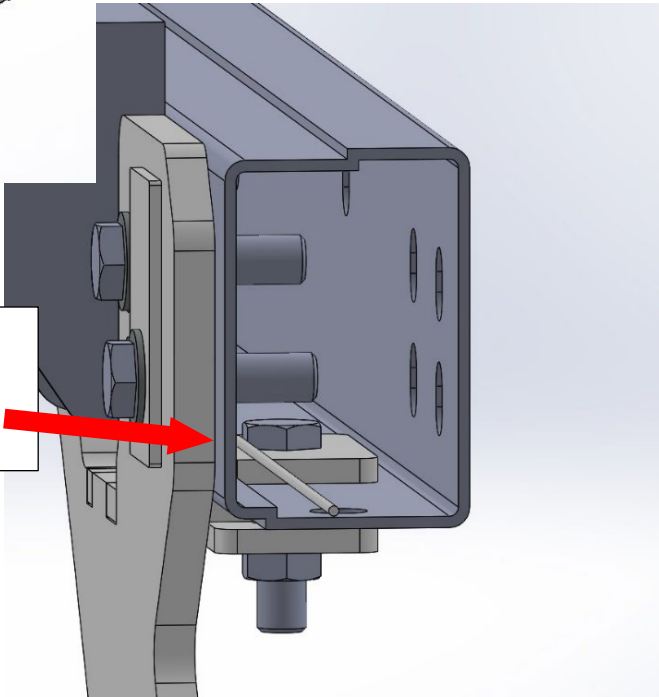
Installation Instructions



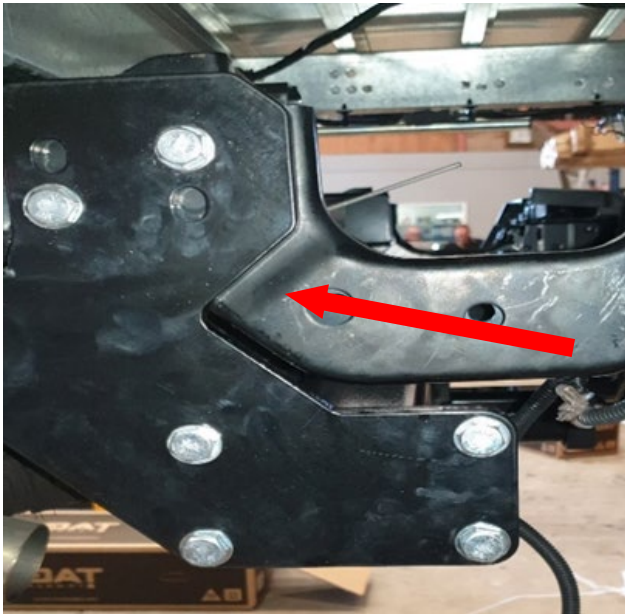
3mm Spacer under head of bolt at rear-most hole in the side of chassis.

When step mount is retained.
3mm Spacer between chassis & end plate at forward-most hole.
*Step mount not shown.

Welded Bolt & Plate on wire inserted into end of chassis. 6mm flat plate washer & nut on underside.



Step mount is retained between chassis & end plate.



Installation Instructions



Step 2: Complete Towbar & Apply Spare Compliance Label

- a. Attach TAG Hitch cover with rubber mallet carefully to prevent breaking.
- a. Attach Tow ball to Ball Mount and slide into receiver. Secure with Pull pin and Clip if you are going to tow straight away. Alternatively, secure the Ball Mount in a safe place inside your vehicle.
- b. Apply one of the compliance labels to the pillar of the driver's door. Leave the remaining label and the fitting instructions in the vehicle handbook.



TAG Warranty Statement



SWD warrants your TAG Towbar for its full product life under the following conditions:

- You can show proof of purchase.
- The towbar has been correctly installed by a suitably qualified installer.
- The towbar has not been modified or abused in any way and has only been used for the purpose intended.
- The towbar was not fitted second hand to your vehicle.

The extent of this warranty includes materials and workmanship used in the manufacture of the towbar and is to the equivalent value of current, full replacement cost.

Nothing stated or implied in this warranty limits in any way, the statutory rights that you may have.

To make a claim visit the original installer in the first instance or, if you are unable to or are not satisfied with their help, then contact us direct by phone on 1300 669122 or visit www.swd.com.au.