



Towbar Fitting Instructions
To Suit Toyota Camry 10-2011-on RATED AT 1200/120KG
Part Number TT155L

WARNING:

1. Do not, drill, cut, weld or otherwise modify the tow bar.
2. If you are using electric welding on a motor vehicle, **always** check that the vehicle is not equipped with electronic engine or instrument management equipment. Failure to do so could **destroy** any onboard computers. If in doubt, check with the vehicle's manufacturer.

- 1 Ensure all hardware items have been included.
- 2 Remove the Rear bumper of the vehicle by following the steps described below.
 - a) If fitted, remove the mudflaps from the vehicle on both driver & passenger sides (3 fasteners each).
 - b) Remove bolts located on the underside of rear bumper & inside the rear wheel arch on both driver and passenger sides.
 - c) If fitted, remove the undercover.
 - d) Remove the two clips securing the bumper to the body.
 - e) Remove the panels on the rear bumper to access the bolts securing the bumper to the body on both driver & passenger sides as shown in figure 1.
 - f) Gently pull outwards on the bumper to dislodge it from the vehicle. Remove the OE parking sonar harness located behind the rear bumper if fitted.
- 3 Remove & discard the impact beam. NOTE: Please retain the nuts shown in figure 3 used to mount the impact beam as they are to be used to fit the Rear Panel bracket as shown in drawing of Towbar.
- 4 Lower the exhaust off the rubber mounts (3 places). Remove the 2 bolts holding the exhaust in place and remove the exhaust.
- 5 Remove any exhaust hanger brackets shown in figure 5.
- 6 Remove any heat shield (3 bolts) from the vehicle.
- 7 Maneuver the main towbar to the vehicle. The main towbar assembly mounts to the inner side of the chassis shown in figure 4 on both the driver & passenger sides.
- 8 Secure both the chassis brackets on the outer side of the chassis rail loosely using m8 bolts as shown in figures 5 & 6. NOTE: Brackets to be tightened only after the exhaust hanger is fitted back on.
- 9 Refit any exhaust hanger back as in reverse of step 5.
- 10 Tighten the brackets to the chassis as shown in figures and also bolt it to the main towbar assembly on both driver & passenger sides using M10 bolts (3 places) on both sides.
- 11 Offer rear-panel bracket to the vehicle. These brackets are bolted on to the rear panel using the nuts that were used to mount the impact beam and bolted on to the main towbar assembly as shown in figure 6.
- 12 Temporarily refit the rear bumper to the vehicle and mark the location of the towbar side arms. Cut the bumper at two places as shown in figures 1. Allow for 3-5mm on either side of the side arms. NOTE: Always mark location of towbar side arms from inside of bumper.
- 13 Trim the bumper center as shown in figure 2.
- 14 If fitted, trim the undercover as per figure 3.
- 15 Fasten all hardware loosely as per diagram below then tighten all hardware to torque listing.
- 16 Secure all heat shields using original fasteners.
- 17 Refit bumper in reverse of steps 2.
- 18 Towbar sticker to be consciously located on inside rear end of the driver's door. (see diagram below)

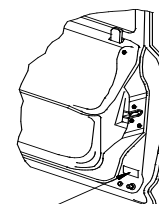
NOTE: Hayman Reese recommends that you check your tow ball to ensure it complies with the Australian standard AS 4177.2.

RECOMMENDED ASSEMBLY TORQUE LISTING

Diameter Grade 8.8 Bolt

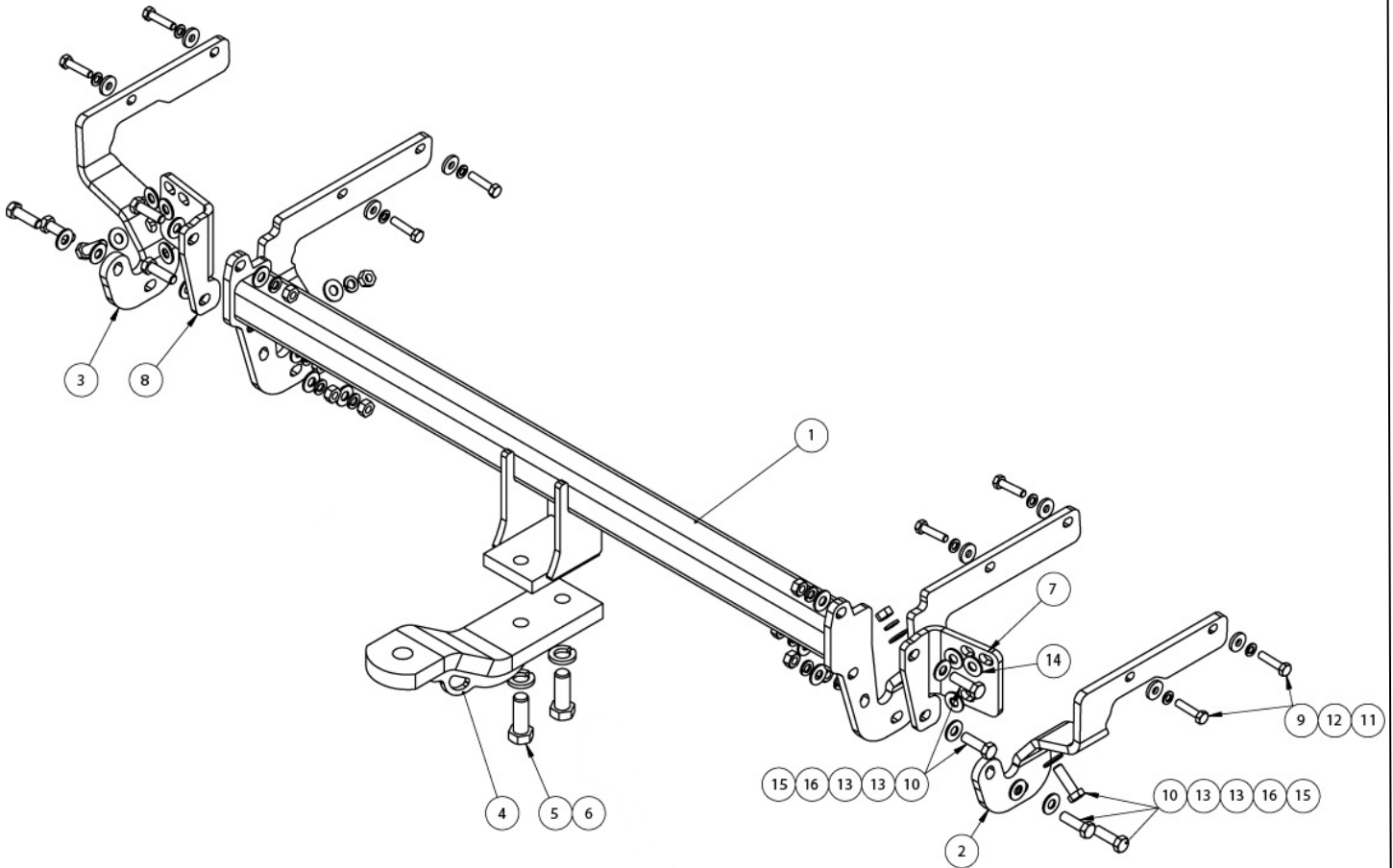
	Nm
M6	9.5
M8	21.7
M10	43.4
M12	77.3
M16	189.8

FOR TOWING PURPOSES ONLY
 For towing capacity details please refer to
 vehicle owner's manual or to the manufacturer.
 Overloading can void your warranties.



TRAILBOSS

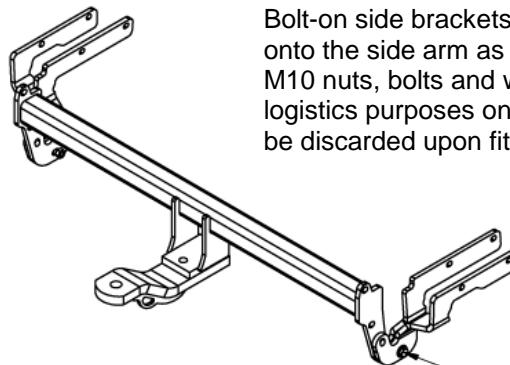
Towbar Fitting Instructions To Suit Toyota Camry 10-2011-on RATED AT 1200/120KG Part Number TT155L



QTY	DESCRIPTION	ITEM
1	Towbar	1
1	Driver Bolt-On Bracket	2
1	Passenger Bolt-On Bracket	3
1	Tongue	4
2	M16 x 45 2.0P Bolt	5
2	M16 x 5 x 3.5 Spring Washer	6
1	Driver Rear Plate	7
1	Passenger Rear Plate	8
8	M8 x 35 1.25P Bolt	9
10	M10 x 35 1.5P Bolt	10
8	M8 x 22 x 3.3 Flat Washer	11
8	M8 x 3 Spring Washer	12
26	M10 x 23 x 2 Flat Washer	13
10	M10 x 1.5 Hex Nut	14
10	M10 x 3.5 x 2.2 Spring Washer	15

NOTE:

Bolt-on side brackets are bolted onto the side arm as shown. These M10 nuts, bolts and washers are for logistics purposes only and should be discarded upon fitment.



2 OF M10 X 45 BOLTS
4 OF M10 FLAT WASHERS
2 OF M10 NUTS

Towbar Fitting Instructions
To Suit Toyota Camry 10-2011-on RATED AT 1200/120KG
Part Number TT155L

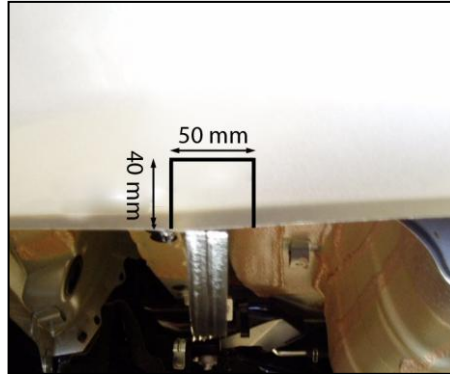


Figure 1 - Bumper cut for side arm

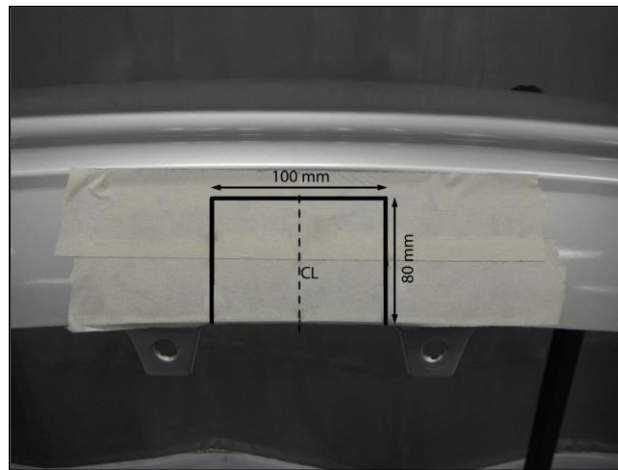


Figure 2 - Bumper cut

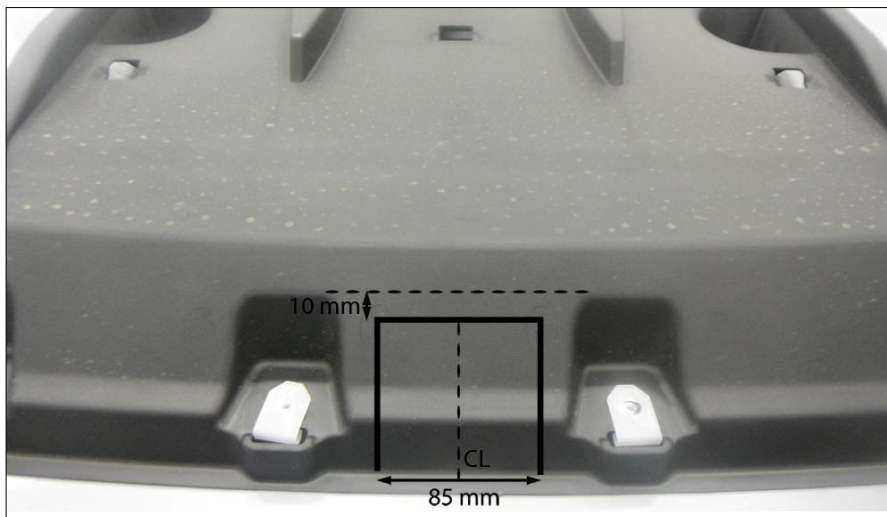


Figure 3 - Undercover cut

PLEASE NOTE: It is advised to remove lug from receiver box when not actually towing so as to produce a clear view of the vehicles registration plate if obscured, and to also provide increased departure angle.



Towbar Fitting Instructions
To Suit Toyota Camry 10-2011-on RATED AT 1200/120KG
Part Number TT155L

Wiring Loom Installation Instructions

Toyota Camry
(2011 – Onwards)
Part No: 100759-WL

Tail Harness Length Required: 1800mm
ECU Required: 04826
RPA Override Switch Part No: 04848 (If Fitted)

Wiring Loom Installation Time: Approx 30 Mins



Towbar Fitting Instructions
To Suit Toyota Camry 10-2011-on RATED AT 1200/120KG
Part Number TT155L

1. In the luggage compartment, remove the floor carpet cover.
2. Remove the LHS and RHS tool storage compartment and the centre wheel cover.
3. On the LHS of the luggage compartment, remove the luggage compartment trim by removing the two scrivenets and the cargo hook.
4. On the LHS rear quarter panel, below the air vent, drill out the existing grommet hole to Ø30mm.
5. File any rough or sharp edges and then spray on rust inhibitor.
6. On the LHS of the luggage compartment, disconnect the 8-way vehicle connectors and connect the trailer harness (100759-WL) connectors in between.
7. Apply double sided tape to the ECU and adhere it to the vehicle sheet metal on the LHS of the luggage compartment.
8. Connect the trailer patch 12-way Female connector to the ECU.
9. Route the trailer harness along the existing vehicle harness towards the rear of the luggage compartment.
10. Connect the trailer patch ground ring terminal to the vehicle grounding point.
11. Mount the trailer socket to the towbar mounting bracket using M4 fasteners (not supplied).
12. Route the tail harness (tail length 1800mm) towards the LHS of the vehicle and up through the previously drilled out hole.
13. Ensure the tail harness grommet is seated correctly and makes a good seal.
14. Secure the grommet in place using a cable tie (not supplied).
15. Connect the trailer harness 8-way connector to the tail harness mating connector.
16. Test the Trailer Harness function using a light board or multimeter.
17. Secure all harnesses using cable ties (not supplied).
18. Re-fit all removed parts and secure all fasteners, ensuring there are no squeaks or rattles.
19. Place the instructions in the glove box after fitment.