

# TRAILBOSS

## Towbar Fitting Instructions To Suit **TOYOTA COROLLA 2012 ON** Part Number **TT157L** Rating **1300/130 kg**

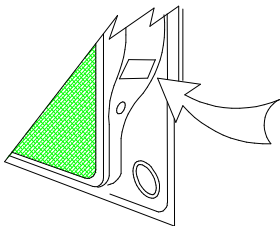
PLACE THESE INSTRUCTIONS IN THE VEHICLE'S GLOVEBOX AFTER INSTALLATION IS COMPLETED

### **WARNING:**

1. Do not, drill, cut, weld or otherwise modify the tow bar.
2. If you are using electric welding on a motor vehicle, **always** check that the vehicle is not equipped with electronic engine or instrument management equipment. Failure to do so could **destroy** any onboard computers. If in doubt, check with the vehicle's manufacturer.
3. The high tensile fasteners supplied with this product were used to achieve the specified rating. If replacement is required ensure that fasteners of the same rating & quality are used. Contact an authorised **Trailboss** dealer if further information is required.

### **General:**

1. Ensure all hardware items have been included refer to assembly diagram.
2. It is recommended that the instructions are read through and completely understood before making any attempt to fit this product.
3. Be wary of any changes to vehicle designs or other accessories that may conflict with the installation of this product.
4. Before drilling ensure that the area is clear of fuel, electrical & other components.
5. All holes drilled into the body panels shall have all burrs & swarf removed then coated with a suitable rust preventative paint.
6. For vehicles that require the bumper to be cut. Ensure cut out area is in correct position on the vehicle prior to cutting the bumper.
7. The high tensile fasteners supplied with this product were used to achieve the specified rating. If replacement is required ensure that fasteners of the same rating & quality are used. Contact an authorized **Trailboss** dealer if further information is required.
8. Ensure that all hardware is fastened to torque list below check fasteners on regular basis.
9. Tow bar load rating sticker provided with this product shall be conspicuously located on inside rear end of the driver's door. **(See diagram below)**.
10. Trailboss recommends that you check your tow ball to ensure that it complies with the Australian standards **AS 4177.2**.
11. **PLEASE NOTE:** It is advised to remove your lug or tbn when not actually towing so as to produce a clear view of the vehicles registration plate if obscured, and to also provide maximum available departure angle
12. Pull Pin must be fit in down position.



Place load rating sticker  
inside driver's door here

**FOR TRAILER TOWING PURPOSES ONLY**  
For towing capacity details please refer to vehicle owner's manual or to the manufacturer. Overloading can void your warranties.

#### RECOMMENDED ASSEMBLY TORQUE LISTING

Diameter	Grade 8.8 Bolt
M6	9.5 Nm
M8	21.7 Nm
M10	43.4 Nm
M12	77.3Nm
M14	146 Nm
M16	189.8 Nm

### **Tow bar Maintenance and Care.**

Trailboss recommends that bolt torque's, as listed below, are routinely and regularly inspected and checked for correct tension. Replace any worn or defective parts.

We recommended to remove Tow Ball Mounts (TBM's, tongues or lugs) when not being used for any considerable length of time.

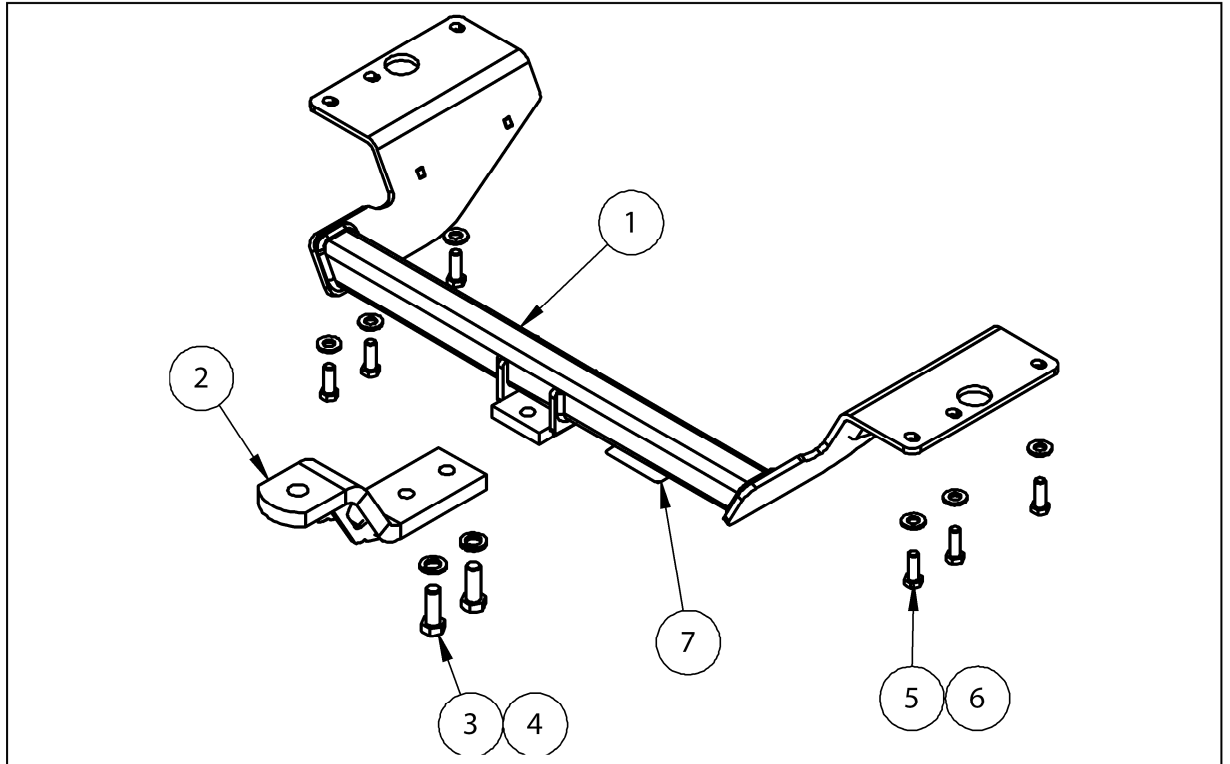
So as to avoid injury, when not towing it is suggested that the tongue, Pull Pin and R-clip are removed then stored in a safe, clean and dry place, away from excessive moisture.

Hitch Pull Pins and spring "R" clips are regularly checked for proper installation. Replace any worn or defective parts.

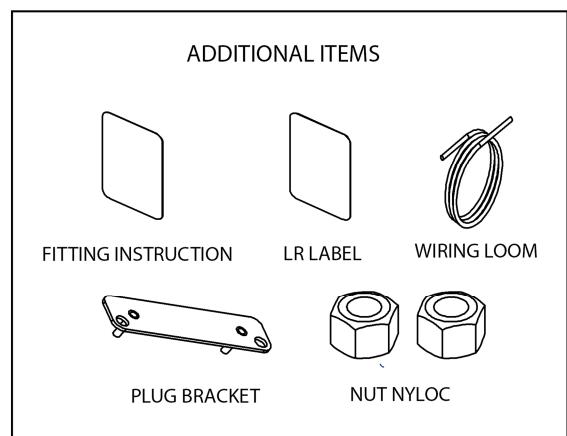


Towbar Fitting Instructions  
 To Suit **TOYOTA COROLLA 2012 ON**  
 Part Number **TT157L**  
 Rating **1300/130 kg**

PLACE THESE INSTRUCTIONS IN THE VEHICLE'S GLOVEBOX AFTER INSTALLATION IS COMPLETED



QTY	DESCRIPTION	ITEM NO
1	WELDED ASSEMBLY	1
1	LUG ASSEMBLY c/w REINFORCE	2
2	M16 x 45 2.0P BOLT	3
2	M16 x 5 x 3.5 SPRING WASHER	4
6	WASHER FLAT 1/2 " x 1 1/8 " x1/8 "	5
6	BOLT M12-1.25 x 35	6
1	ACRYLIC CP LABEL	7



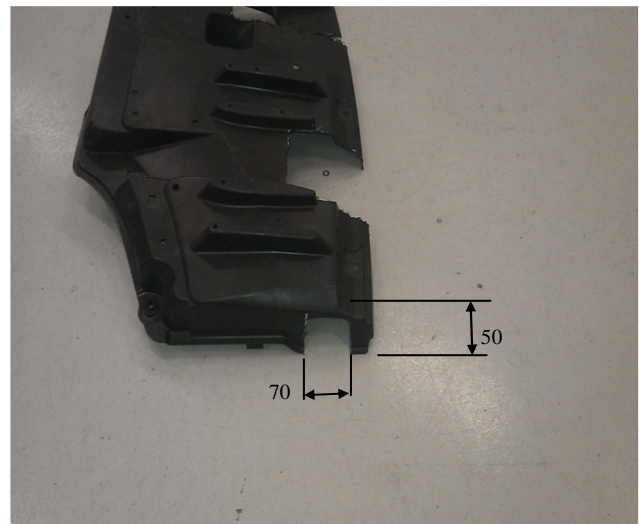
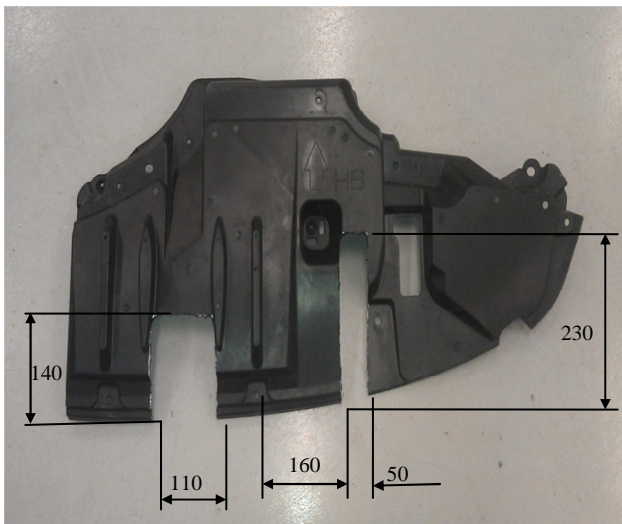


Towbar Fitting Instructions  
To Suit **TOYOTA COROLLA 2012 ON**  
Part Number **TT157L**  
Rating **1300/130 kg**

PLACE THESE INSTRUCTIONS IN THE VEHICLE'S GLOVEBOX AFTER INSTALLATION IS COMPLETED

**INSTRUCTION:**

1. Remove the 2x Plastic Under Covers from the Rear of the vehicle.
2. Offer Towbar to vehicle and loosely Bolt the 3x Bolts and Washers into the Chassis Rail for both the LH & RH side.
3. Tighten all Bolts to torque specifications provided on page1.
4. Create a under Chassis Cover Cut on the rear most under Cover Panels, in the middle of the two scrivet holes create a 110mm wide and 140mm high cut, then 160mm away from the passenger side scrivet create a 50mm wide and 230mm high cut.
5. Create a under Chassis cover cut on the driver side of the cover 35mm from the rear most face of the cover 70mm wide and 50mm high.
6. Reassemble the Panels in the same order as disassembly.





Wiring Loom Fitting Instructions  
To Suit Toyota Corolla Hatch  
Part Number 100938-WL

**Wiring Loom Installation Instructions**

Toyota Corolla Hatch  
Part No: 100938-WL  
ECU Required: 04826

Tail Harness Length Required: 1800mm

Wiring Loom Installation Time: Approx 45 Mins



Wiring Loom Fitting Instructions  
To Suit Toyota Corolla Hatch  
Part Number 100938-WL

1. In the luggage compartment, remove the parcel shelf and the floor carpet cover.
2. Remove the four screws securing the tool trays and then remove the tool trays.
3. In the rear luggage compartment, remove the two screws securing the rear luggage compartment trim.
4. Remove the rear luggage compartment trim.
5. Remove the rear passenger seat base.
6. Fold the rear seats forward.
7. Remove the LHS door trim.
8. Remove the LHS 'B' pillar trim.
9. Remove the front LHS door trim.
10. On the LHS kick panel, remove the clip.
11. Remove the LHS kick panel trim.
12. On the LHS of the luggage compartment, remove the three screws securing the lower luggage compartment trim.
13. Carefully dislodge the lower LHS luggage compartment trim and disconnect the light connector.
14. Remove the upper LHS luggage compartment trim.
15. On the RHS of the luggage compartment, remove the three screws securing the lower luggage compartment trim.
16. Dislodge the lower RHS luggage compartment trim.
17. On the LHS rear quarter panel, drill a Ø30mm hole (1).
18. File any rough or sharp edges and spray with inhibitor.





Wiring Loom Fitting Instructions  
To Suit Toyota Corolla Hatch  
Part Number 100938-WL

19. On the LHS of the luggage compartment, locate and disconnect the tail light connector and connect the trailer patch in between.
20. Connect the trailer patch 12-way connector to the ECU.
21. Apply double sided tape to the ECU and secure it to the vehicle sheet metal on the LHS of the rear quarter panel.
22. Connect the trailer patch ground ring terminal to the existing vehicle grounding point.
23. On the upper LHS of the luggage compartment, locate the white connector.
24. Following the table below, connect the ezy-tap to the RED wire, then connect the terminal to the ezy-tap.

Function	Trailer Patch	Vehicle Connector
REVERSE	BLACK / WHITE	RED

25. Route the trailer patch along the rear of the luggage compartment towards the RHS of the vehicle.
26. On the RHS of the luggage compartment, locate and disconnect the tail light connectors and connect the trailer patch in between.
27. Route the 'ORANGE' power wire along the LHS to the 'B' pillar and towards the front of the vehicle.
28. Continue routing the 'ORANGE' power wire along the LHS of the vehicle towards the fuse box.
29. On the fuse panel, locate 20amp fuse (sunroof slot) and discard.
30. Insert the supplied 20amp fuses into the upper and lower slots of the add-a-fuse.
31. Plug the add-a-fuse into the now vacant slot.
32. Connect the trailer patch power harness 1-way connector to the add-a-fuse harness mating connector.
33. Mount the trailer socket to the tow bar mounting bracket using M4 fasteners (not supplied).
34. Route the tail harness (tail length 1800mm) across the tow bar towards the LHS of the vehicle and up through the vehicle grommet or the previously drilled hole.
35. Ensure the tail harness grommet is seated correctly and secured in place using a cable tie (not supplied).
36. Connect the tail harness 8-way connector to the trailer patch 8-way mating connector.



Wiring Loom Fitting Instructions  
To Suit Toyota Corolla Hatch  
Part Number 100938-WL

37. Test the trailer harness function using a Light Board or multimeter.
38. Secure all harnesses using cables ties (not supplied).
39. Re-fit all removed parts and secure all fasteners, ensuring there are no squeaks or rattles.
40. Place the instructions in the glove box after fitment.