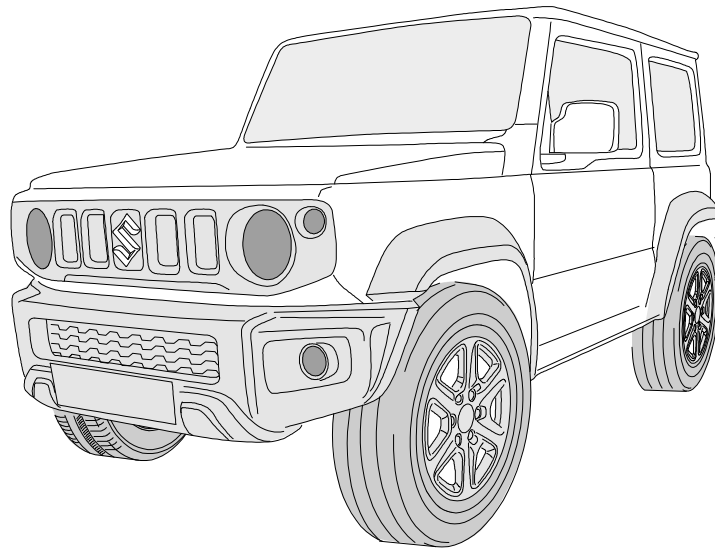




ERICH JAEGER

Installation instructions



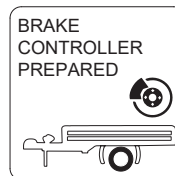
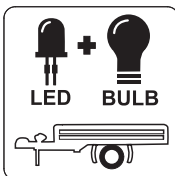
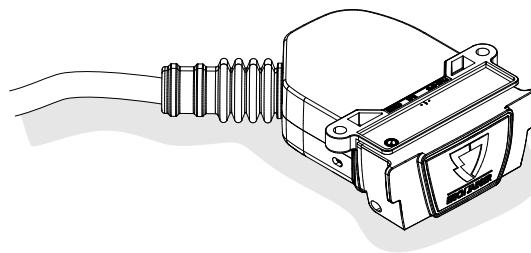
750117

SUZUKI Jimny

11/18 >>



SCAN FOR
LATEST
INSTRUCTIONS

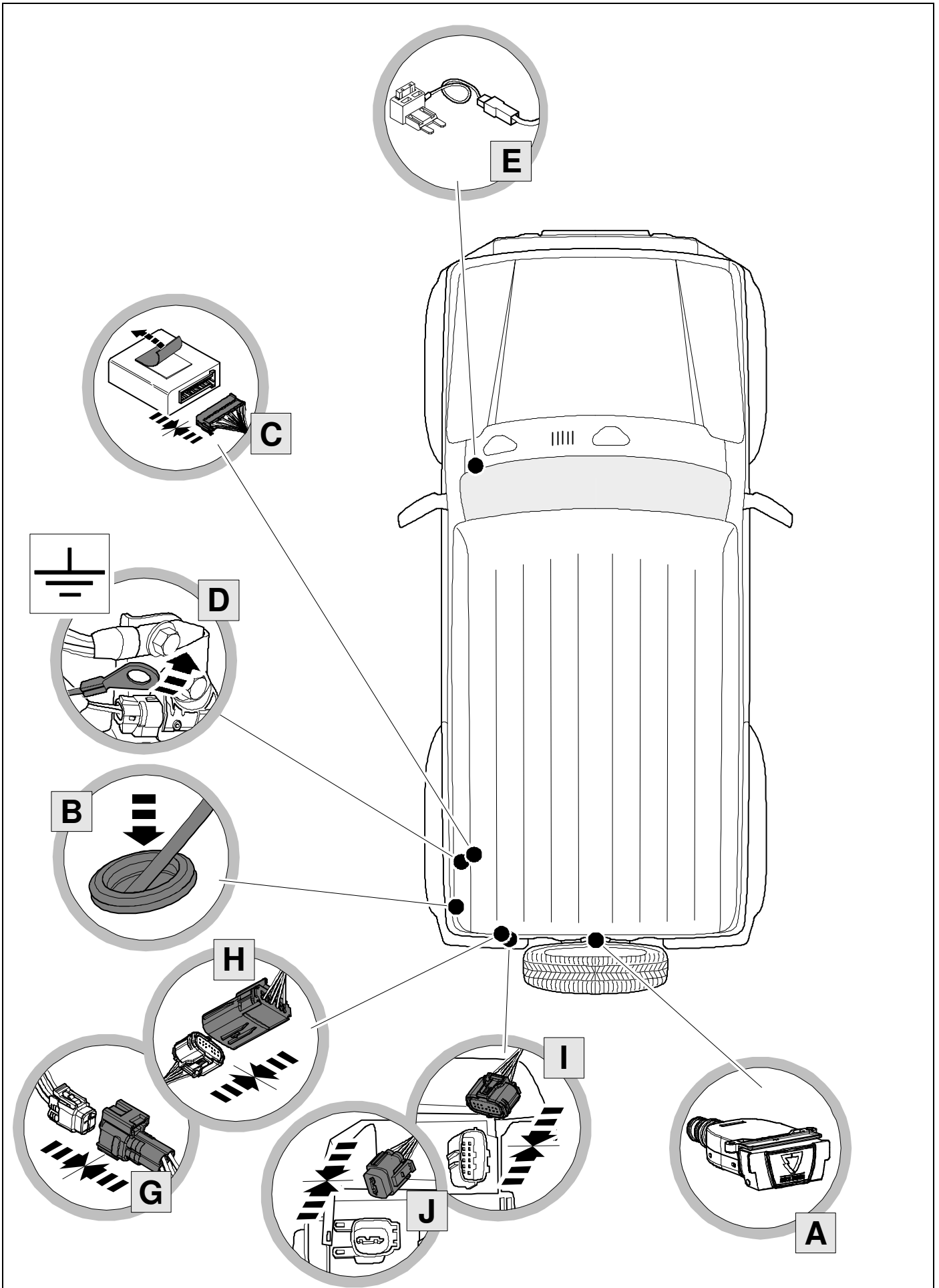


Reference:

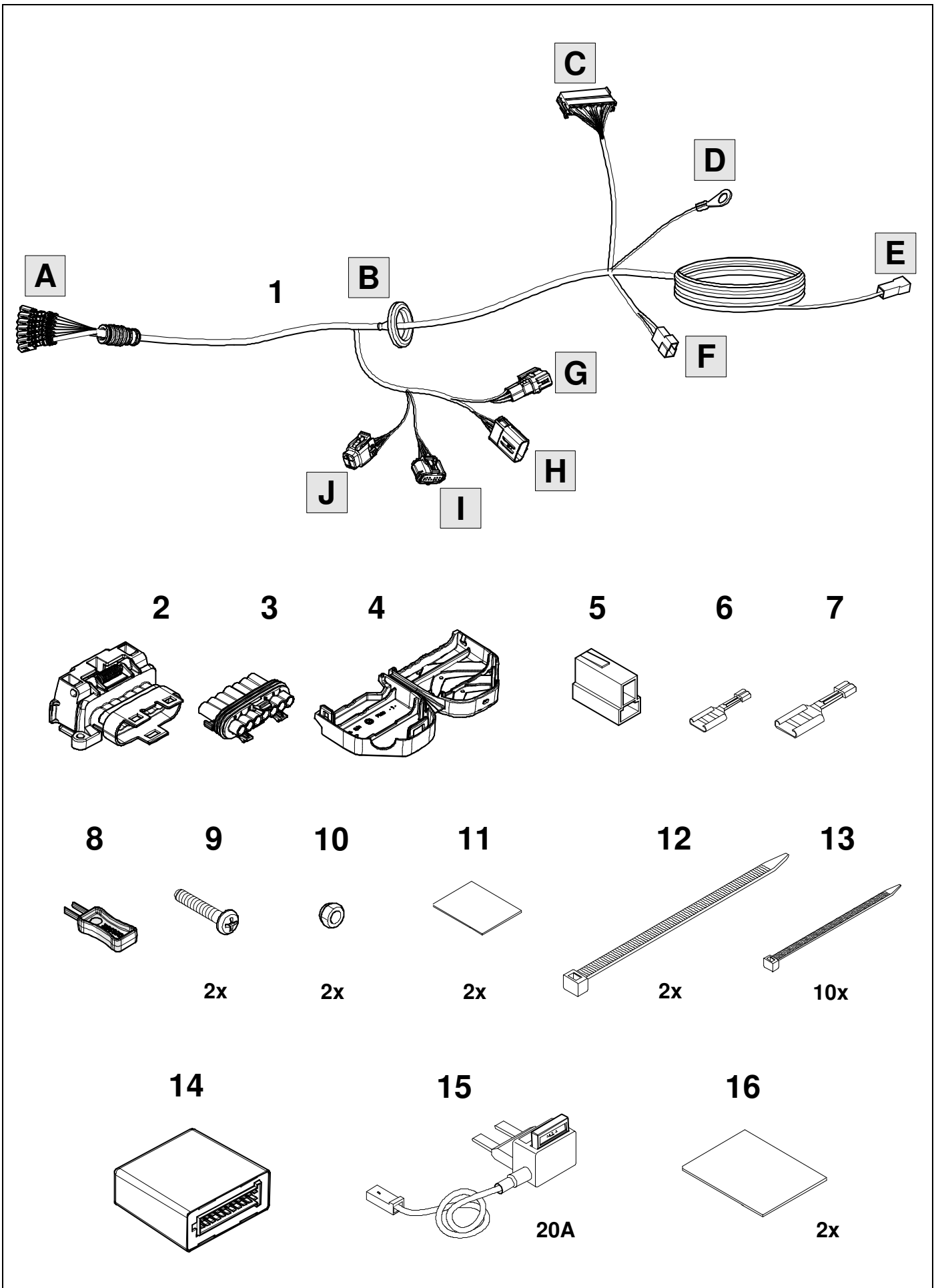
The following information must be reviewed before beginning the assembly:

- The installation instructions are to be thoroughly read.
- The installation should be carried out by qualified personnel with the relevant technical knowledge.
- The vehicle manufacturers' current technical notices and information on retrofitting must be followed.
- The removal and replacement instructions found in the current repair manuals must be followed.
- It must be ensured that the vehicle is technically suitable for the installation of a trailer hitch.

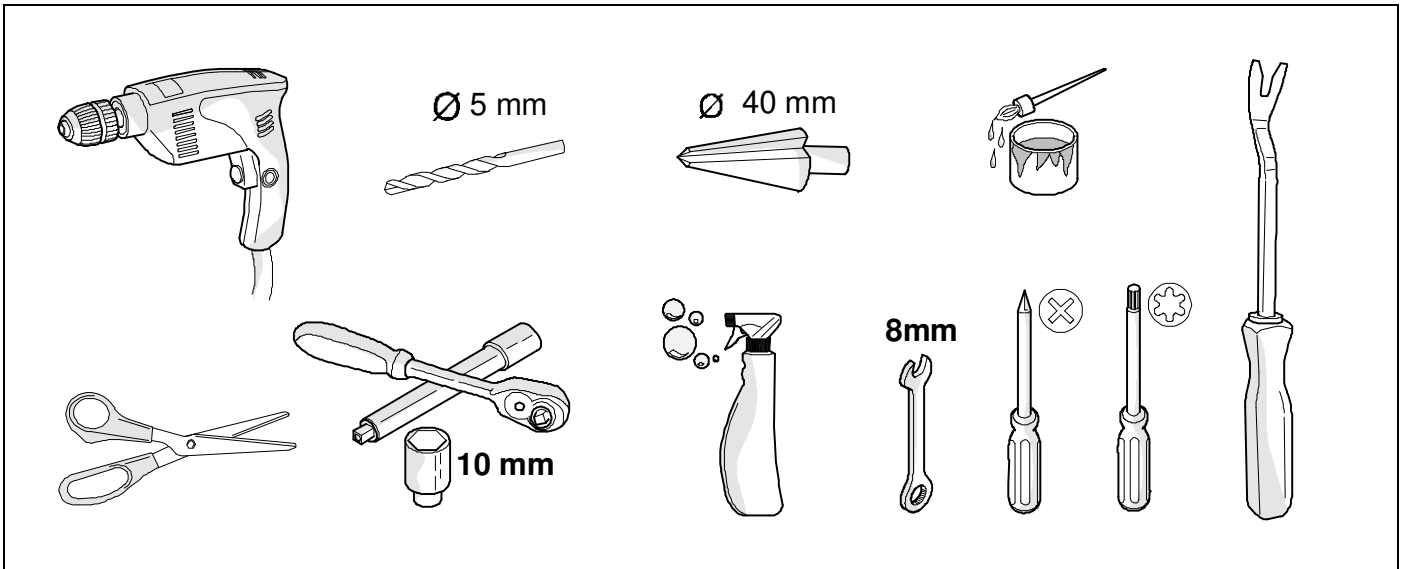
OVERVIEW



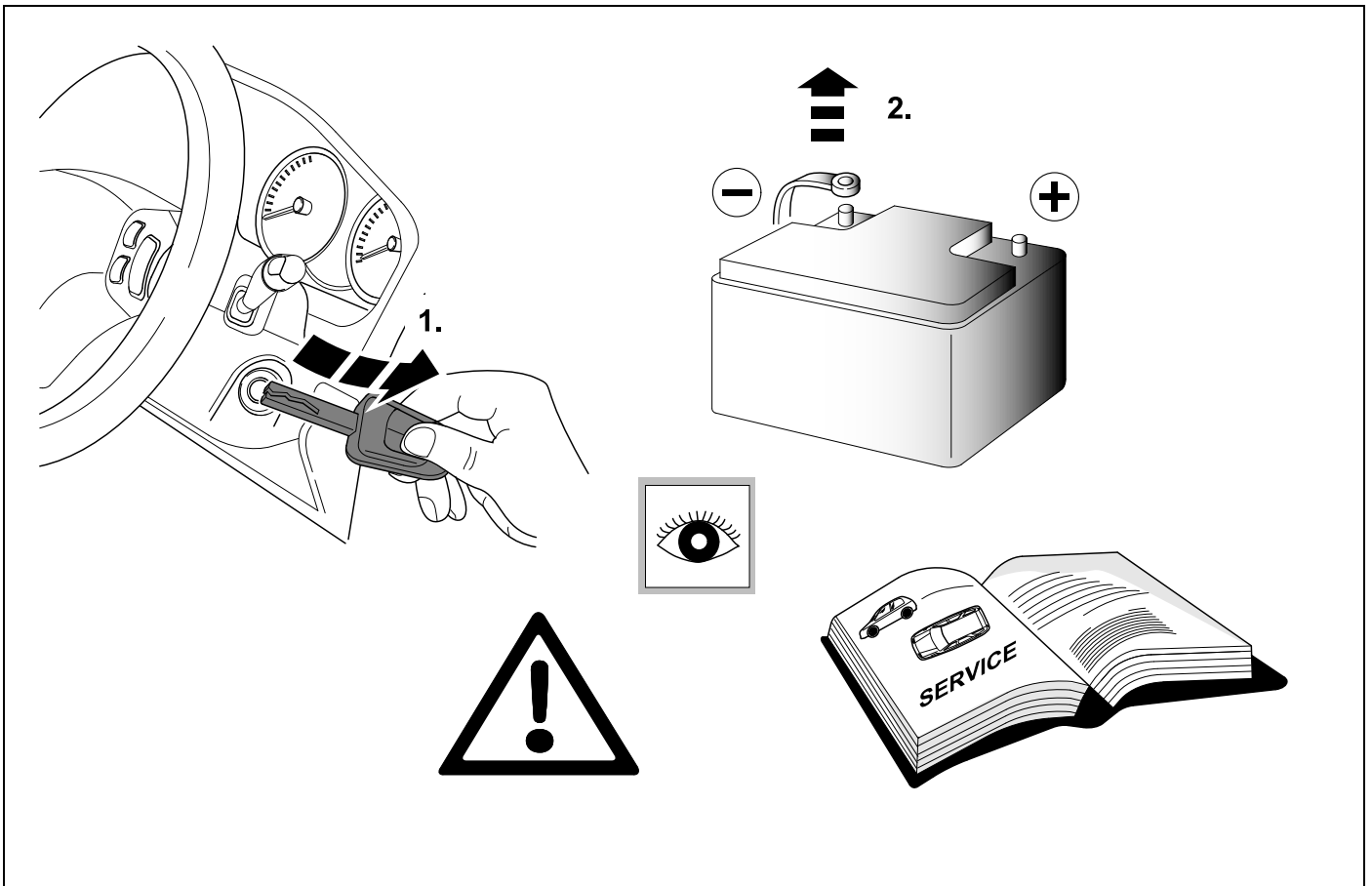
KIT

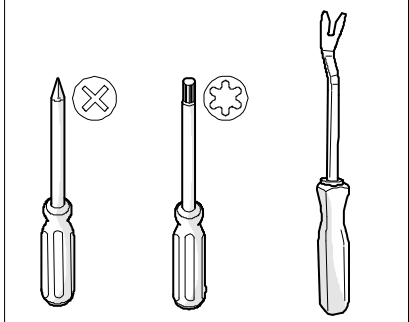
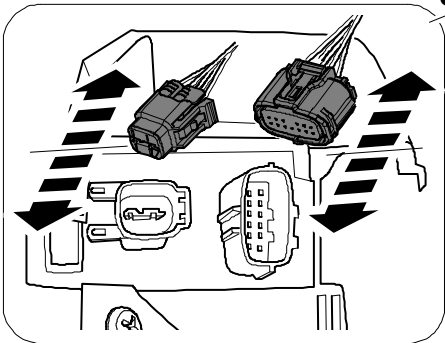
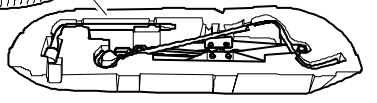
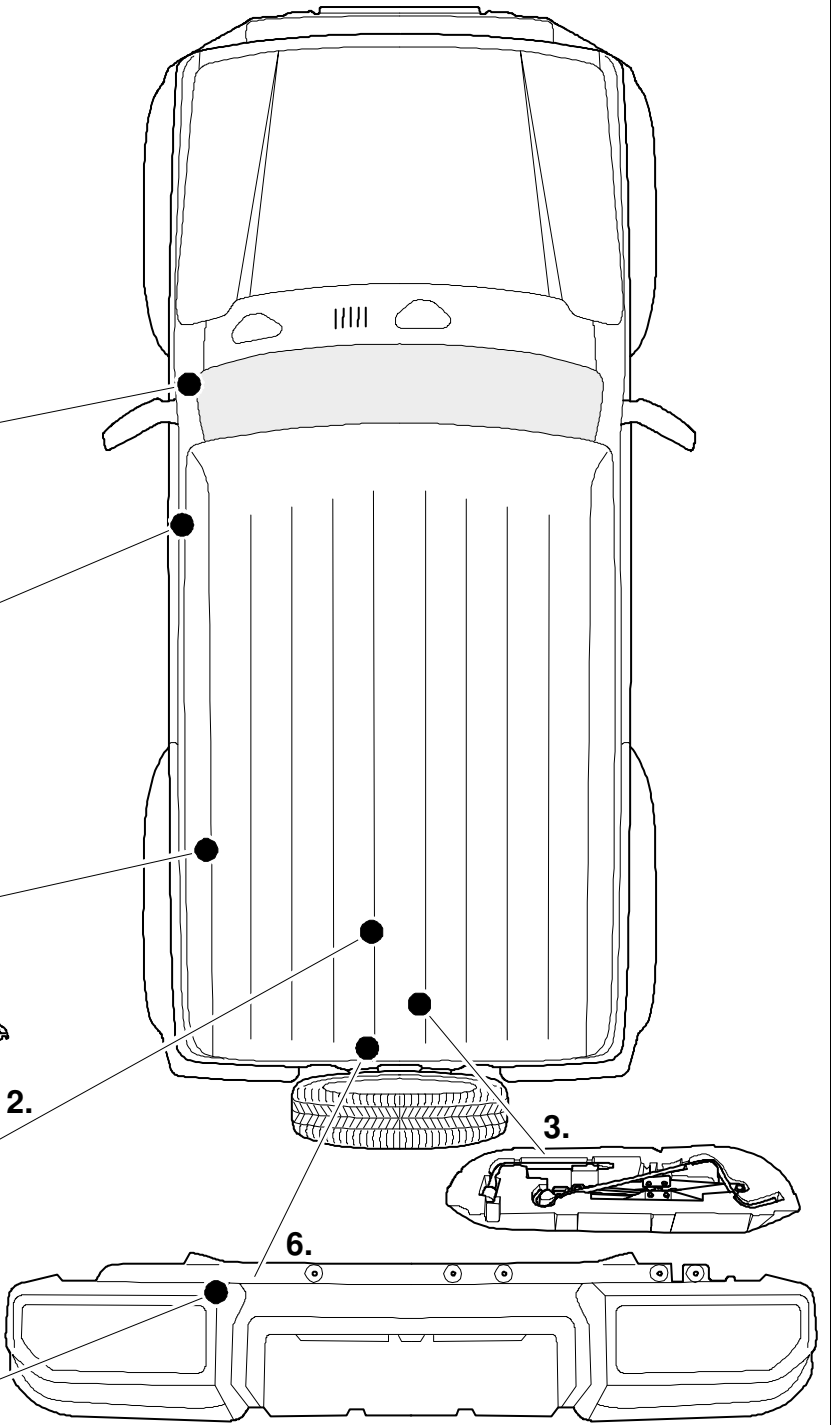
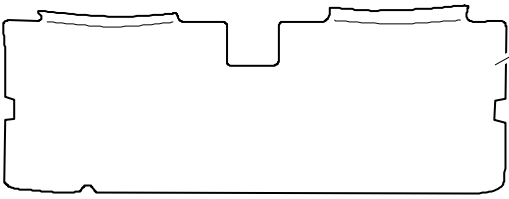
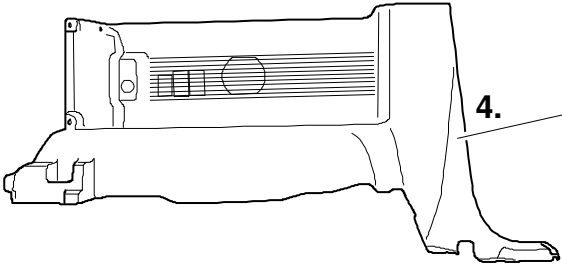
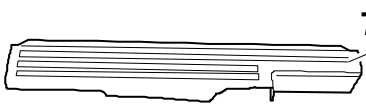
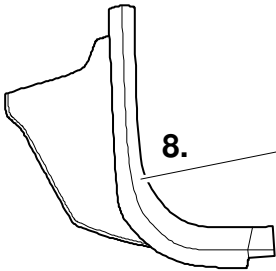
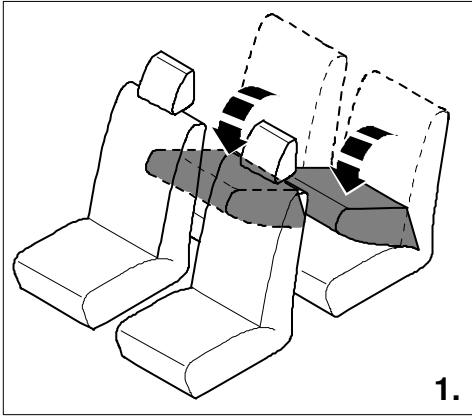


TOOLS

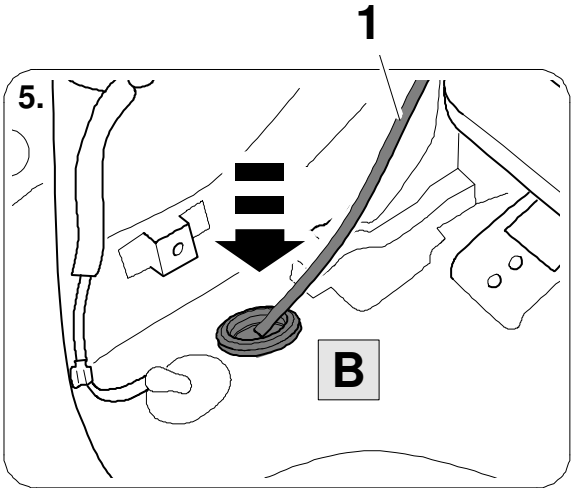
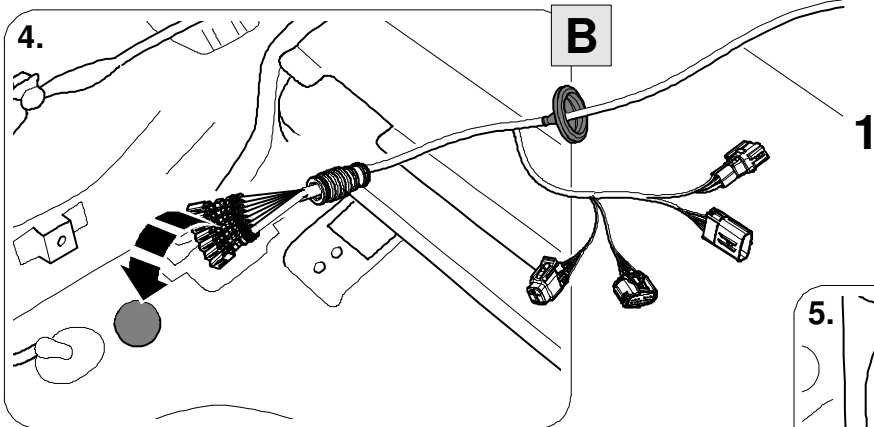
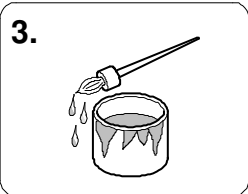
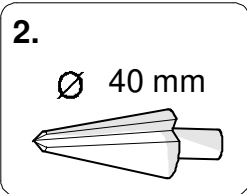
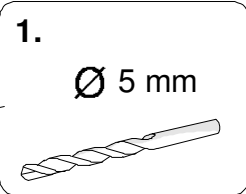
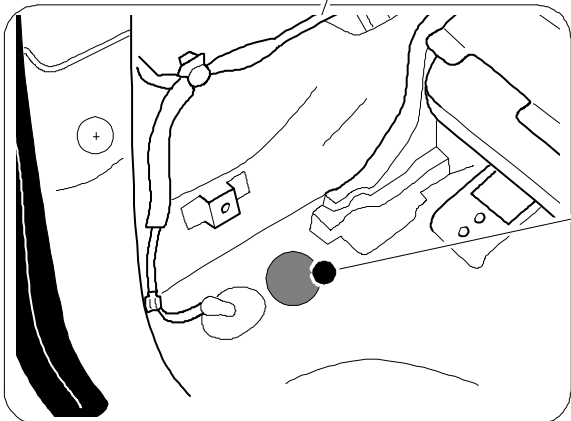
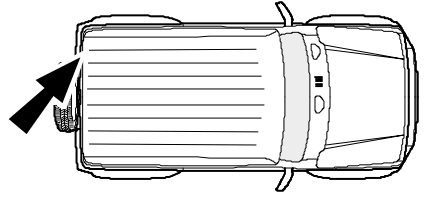
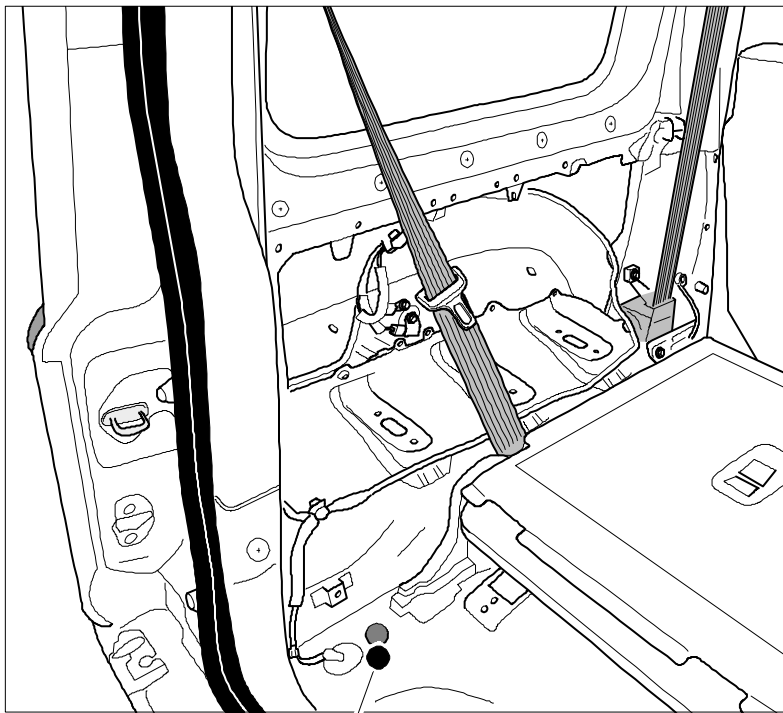


1

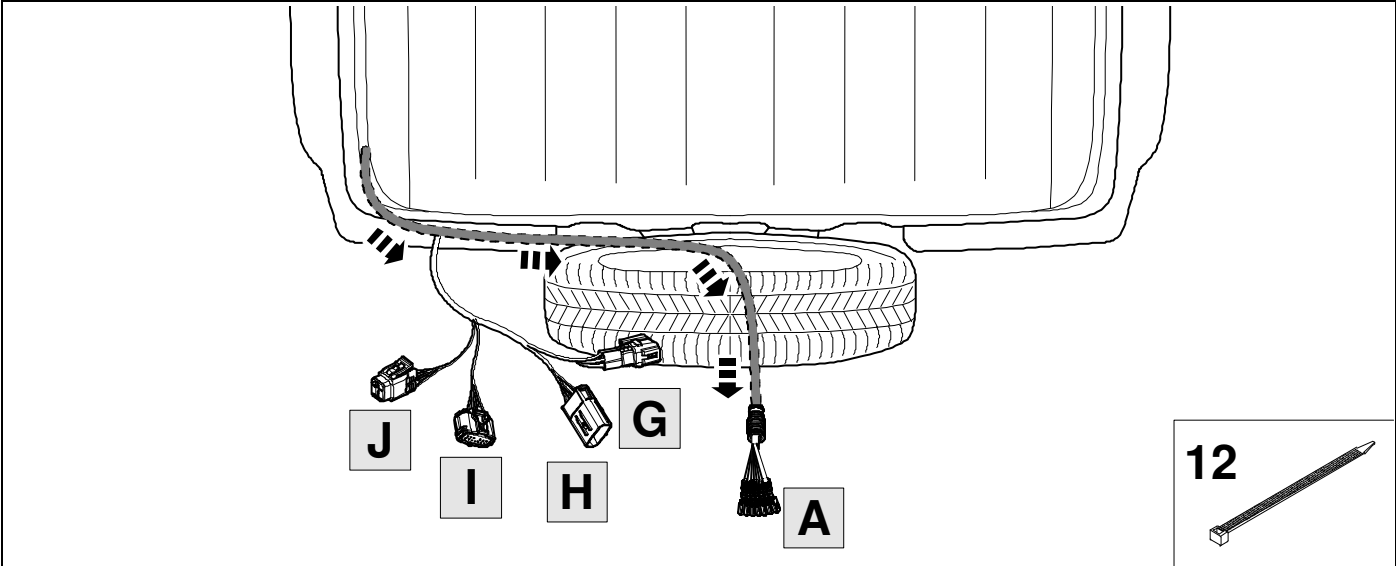


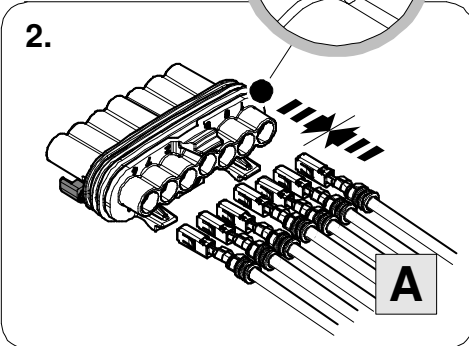
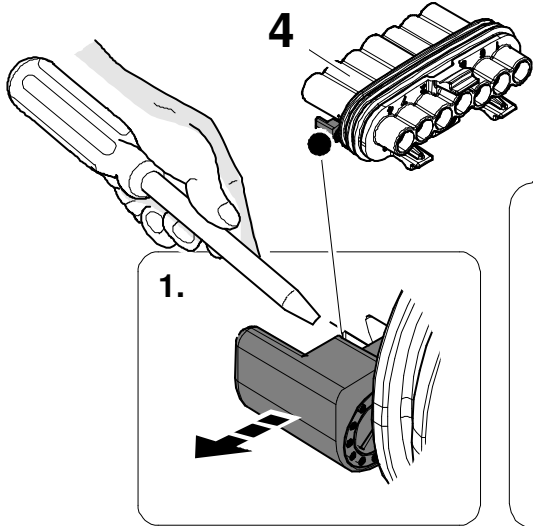


3

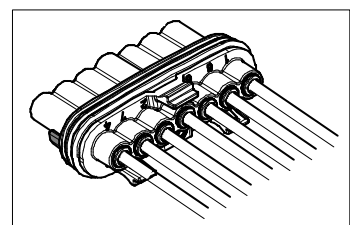
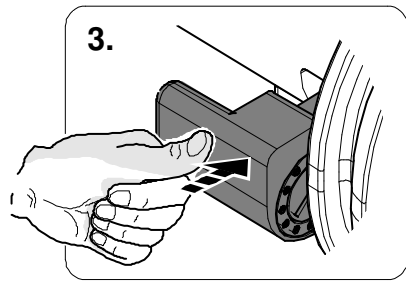
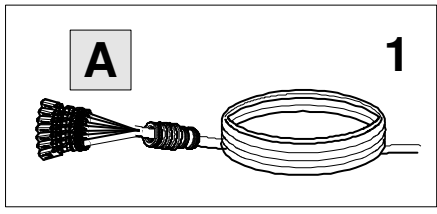


4

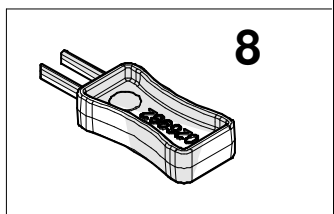
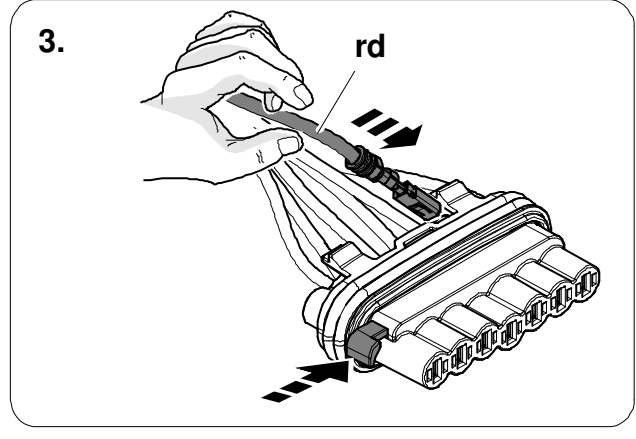
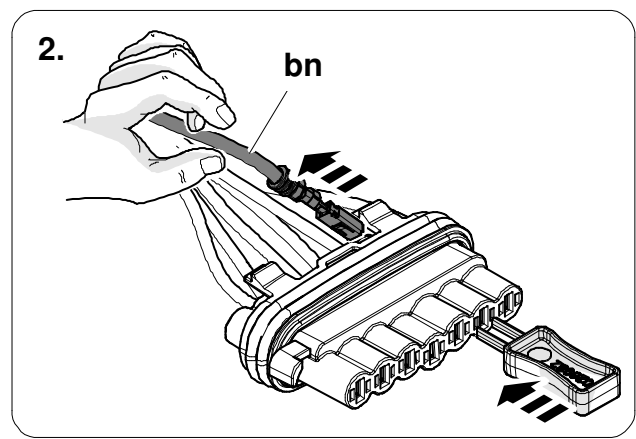
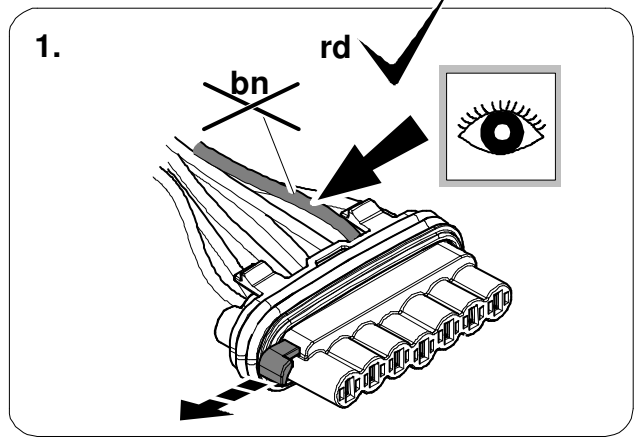


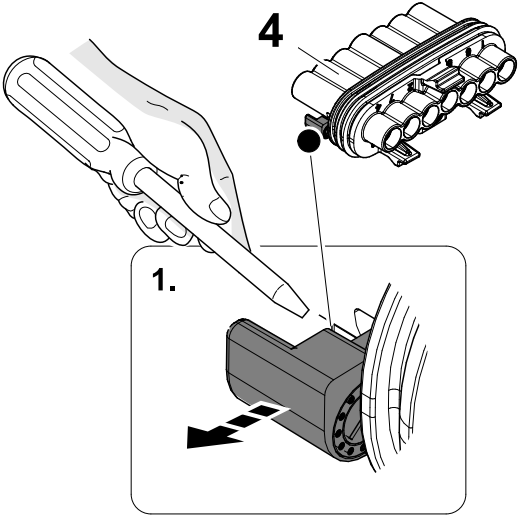


ye	1	
rd	6	
bu	5	
wh	3	
bk	2	
bn	7	
gn	4	

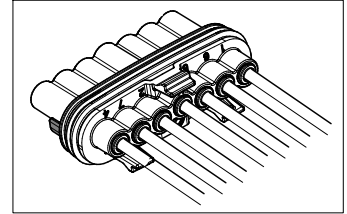
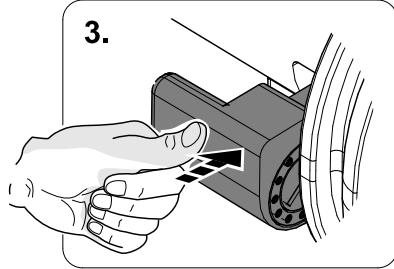
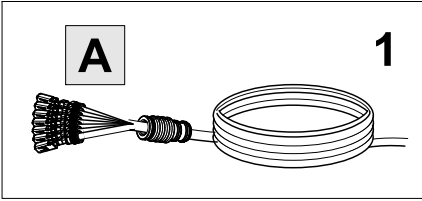
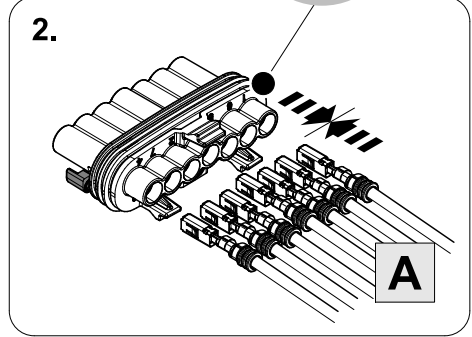
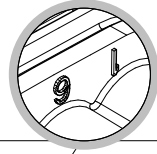


In case of wrong pin insert:





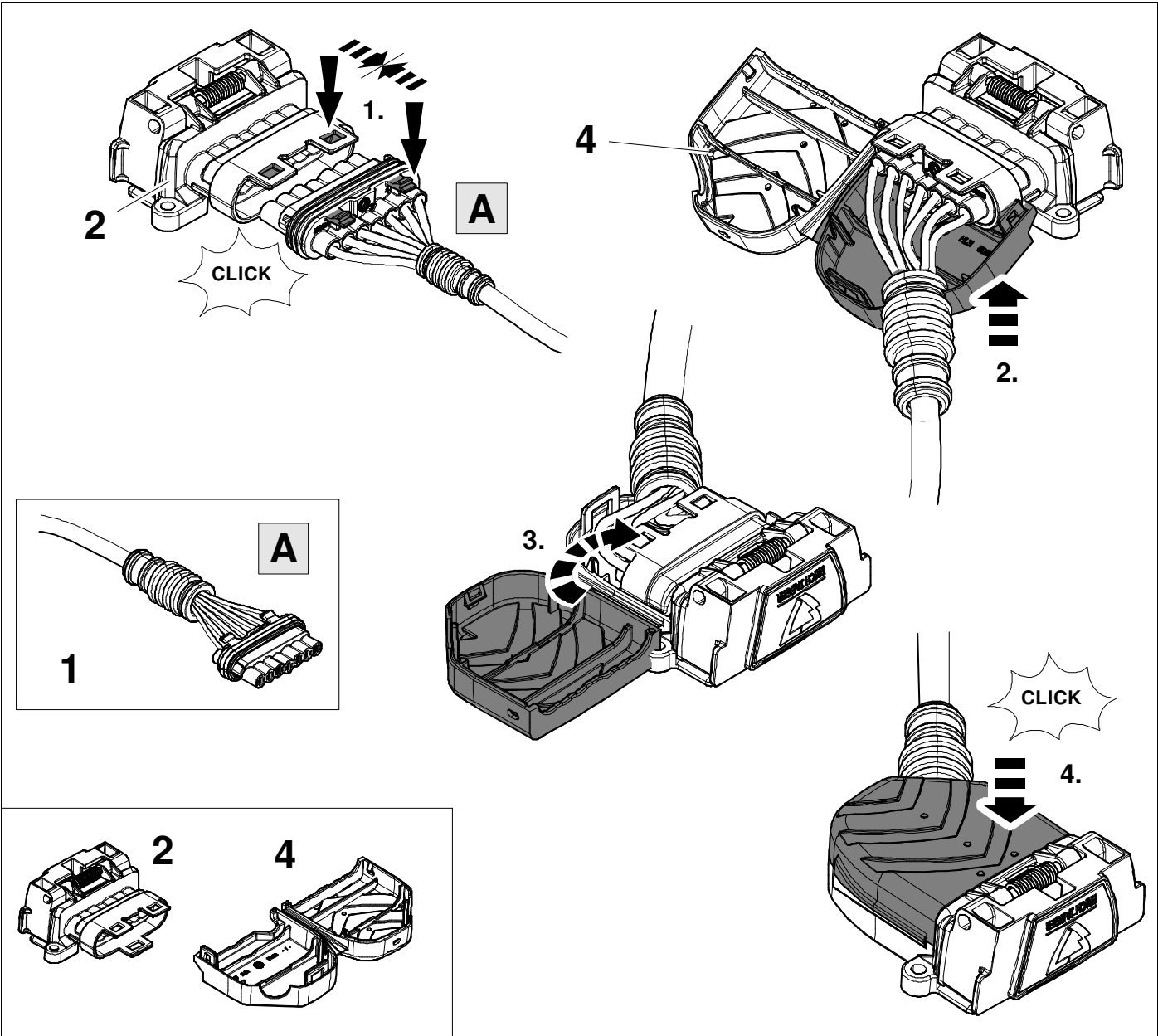
ye	1	
rd	6	
bu	5	
wh	3	
bk	2	
bn	7	
gn	4	



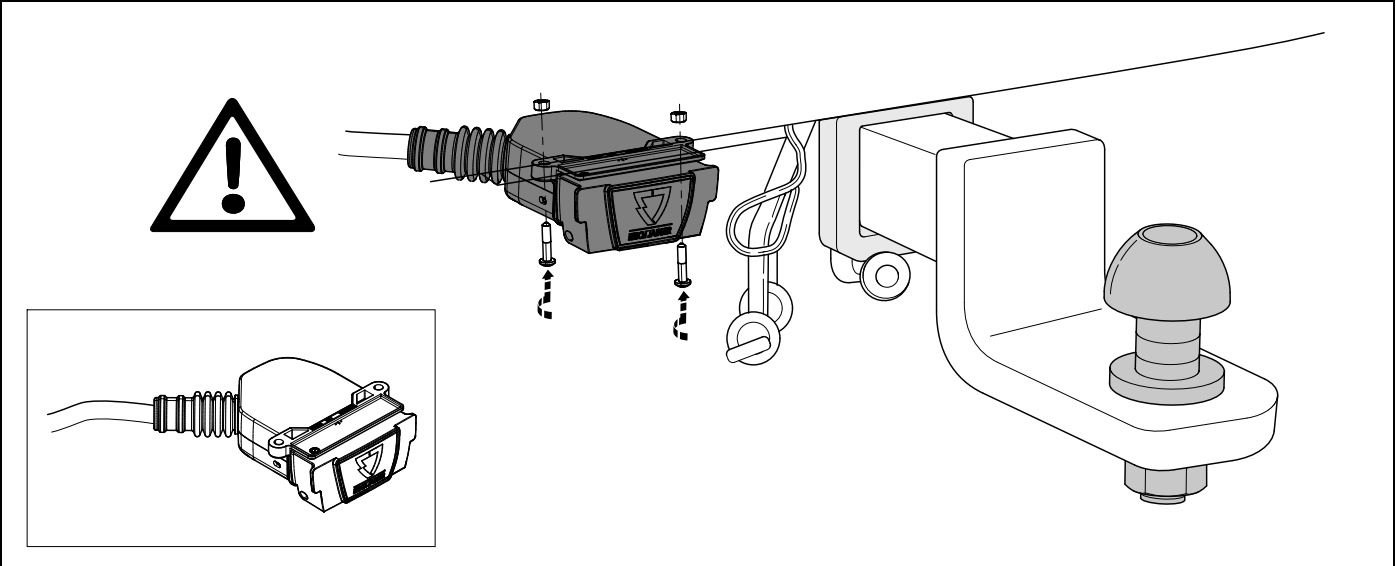
7



9



8



9



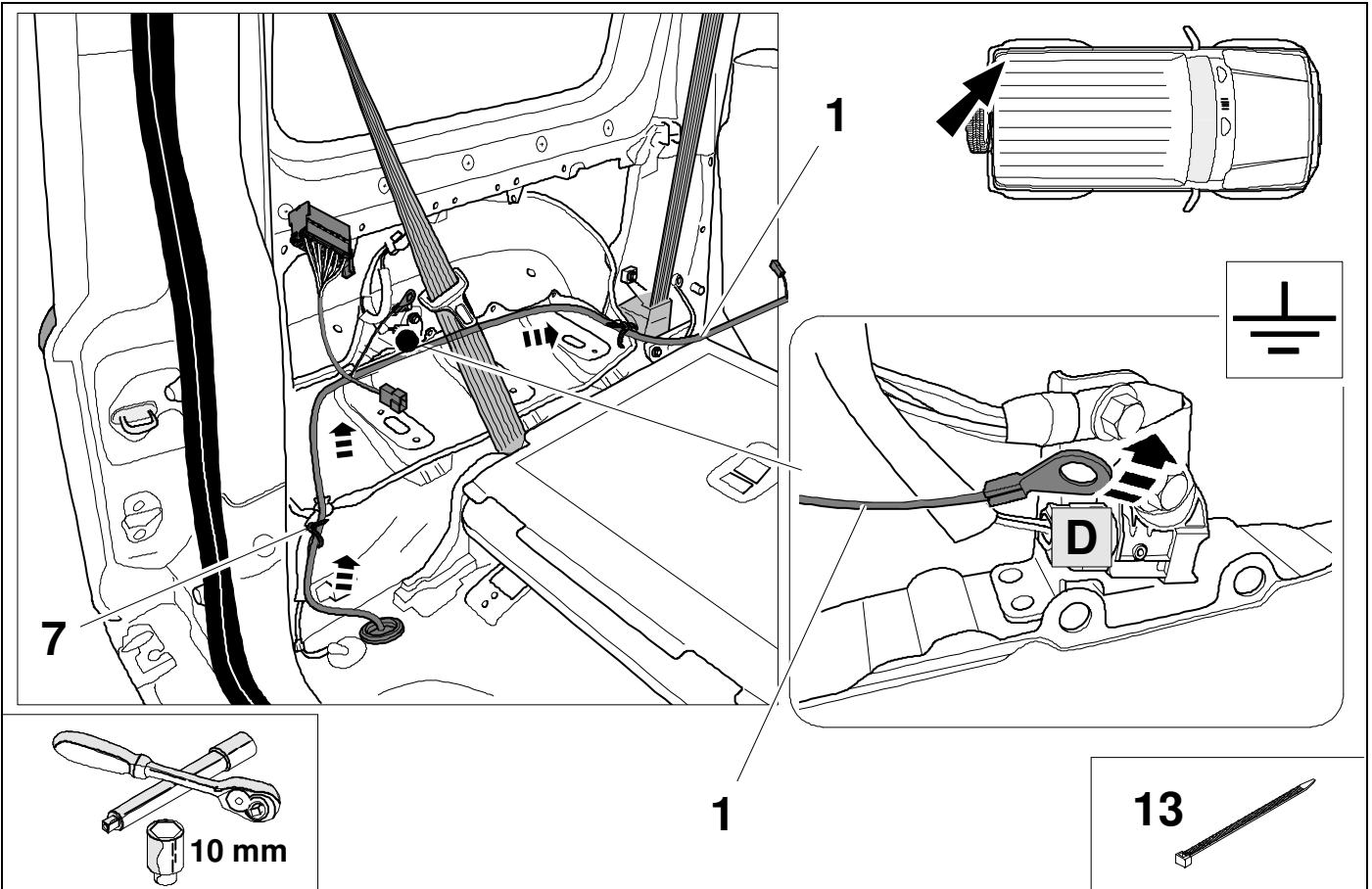
10

1	ye	
2	bk	
3	wh	
4	gn	
5	bu	
6	rd	
7	bn	

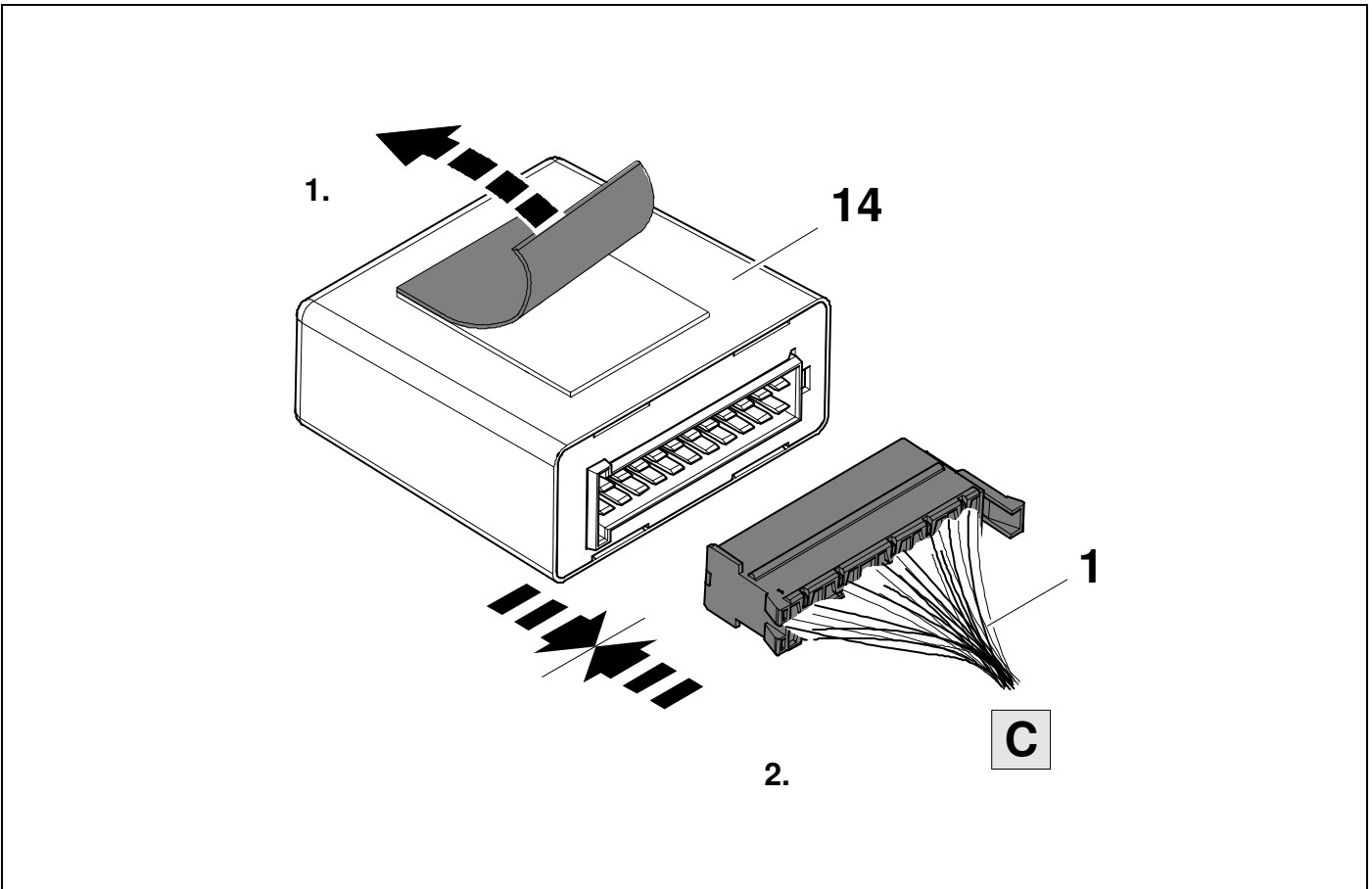
10	bk	wh	gy	gn	rd	bu	ye	bn	pu	or	no
----	----	----	----	----	----	----	----	----	----	----	----

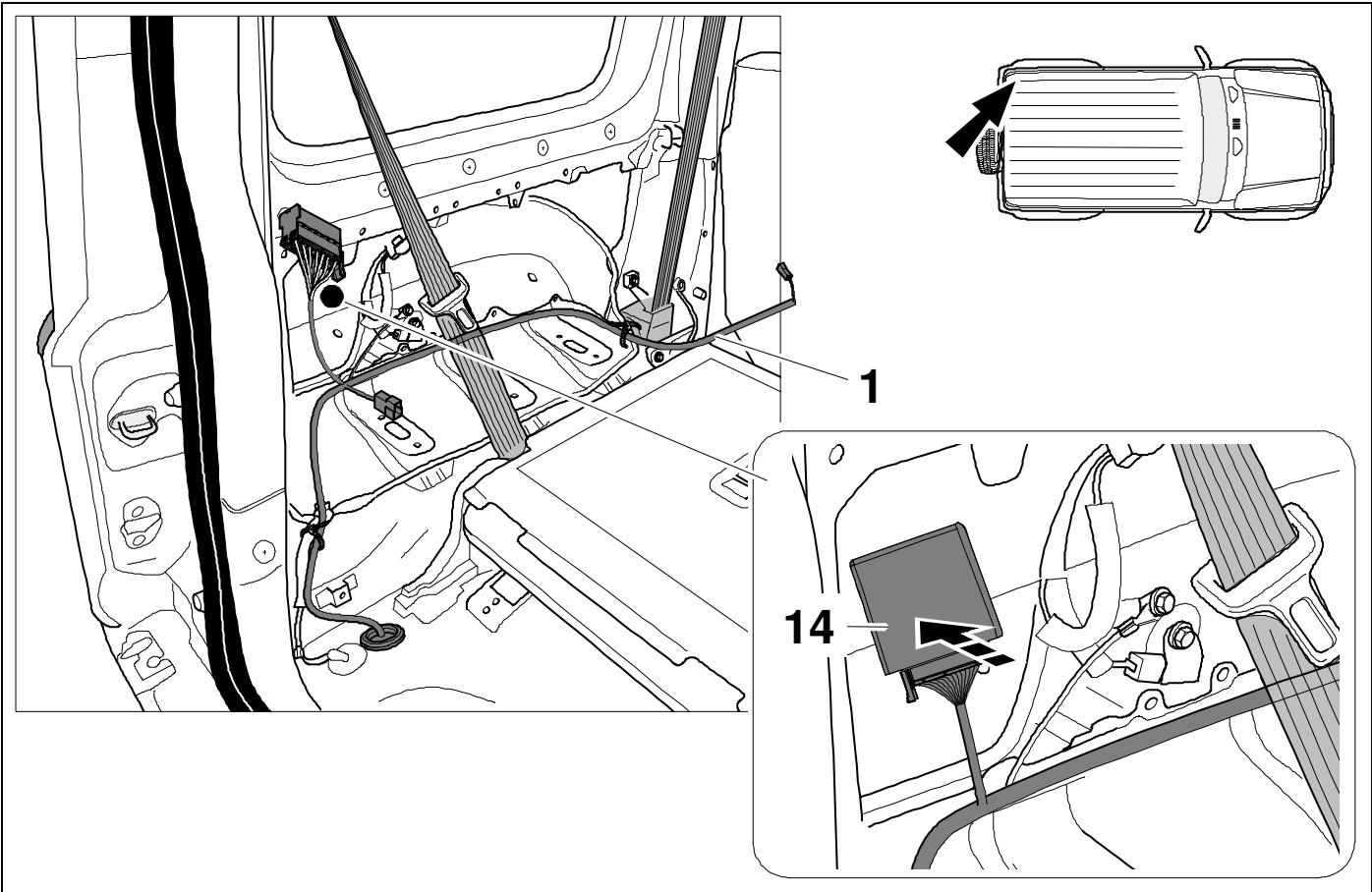
	black	white	grey	green	red	blue	yellow	brown	purple	orange	not occupied
--	-------	-------	------	-------	-----	------	--------	-------	--------	--------	--------------

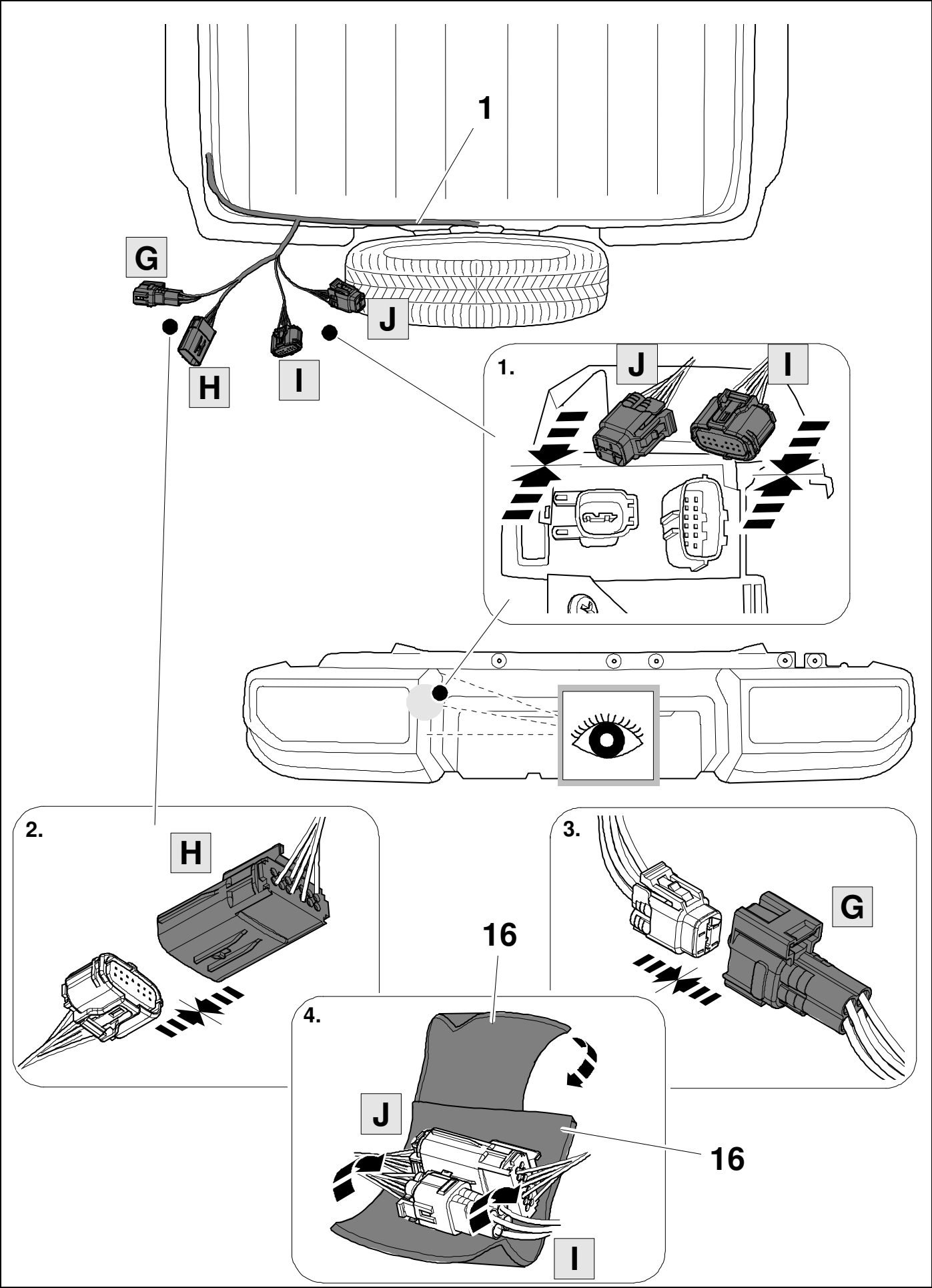
11



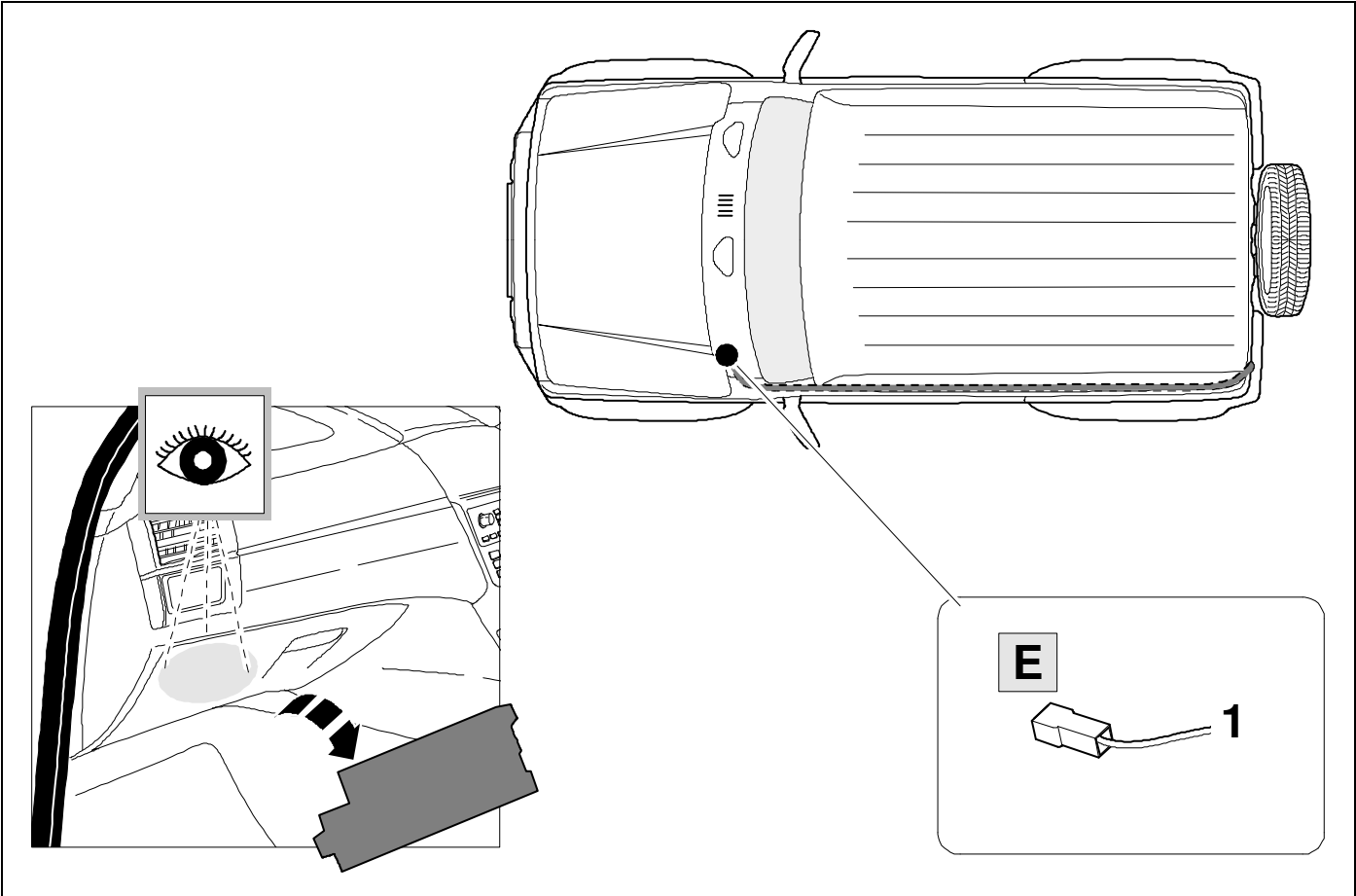
12



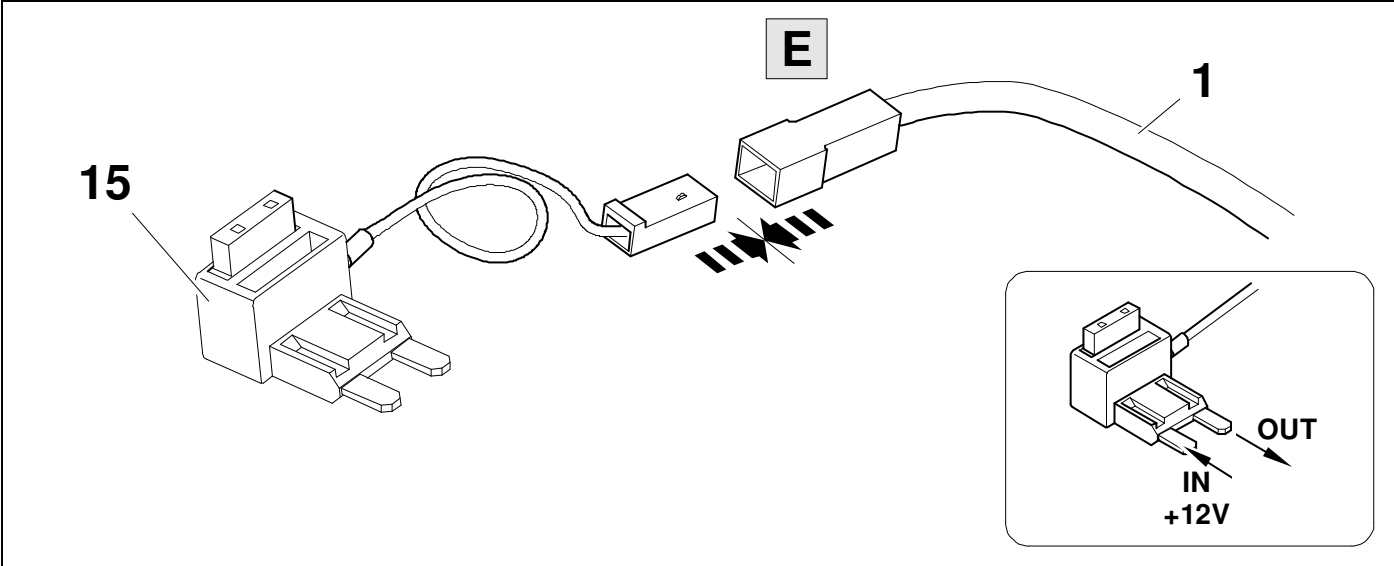




15

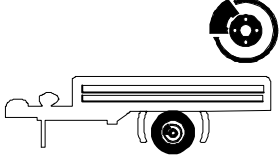


16

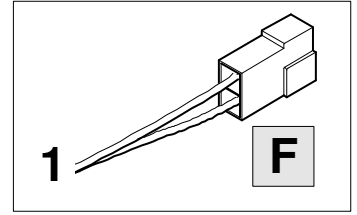




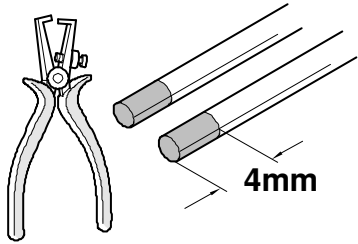
**BRAKE
CONTROLLER
PREPARED**



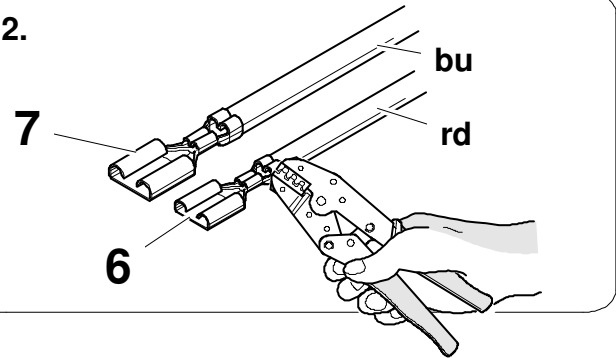
Trailer Brake Preparation



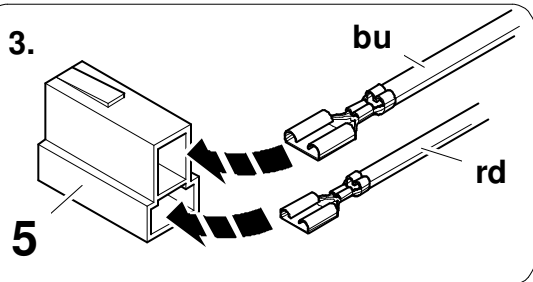
1.



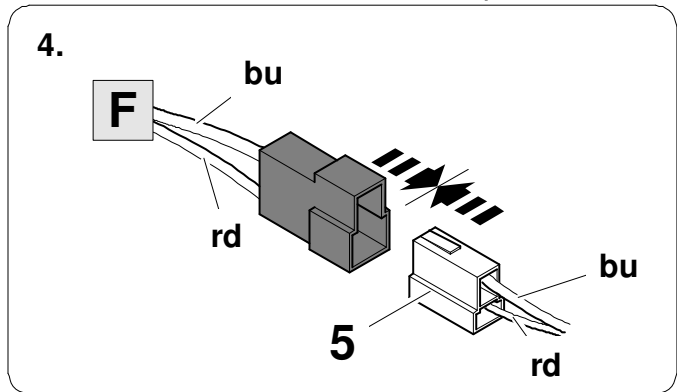
2.



3.



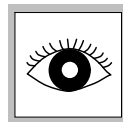
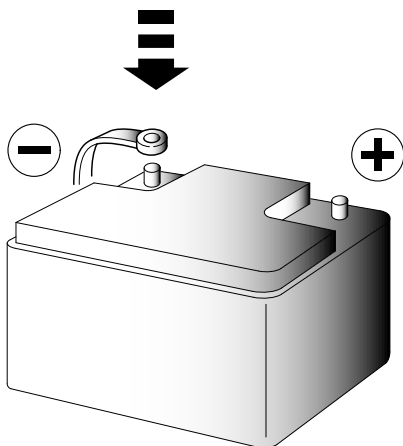
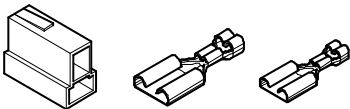
4.



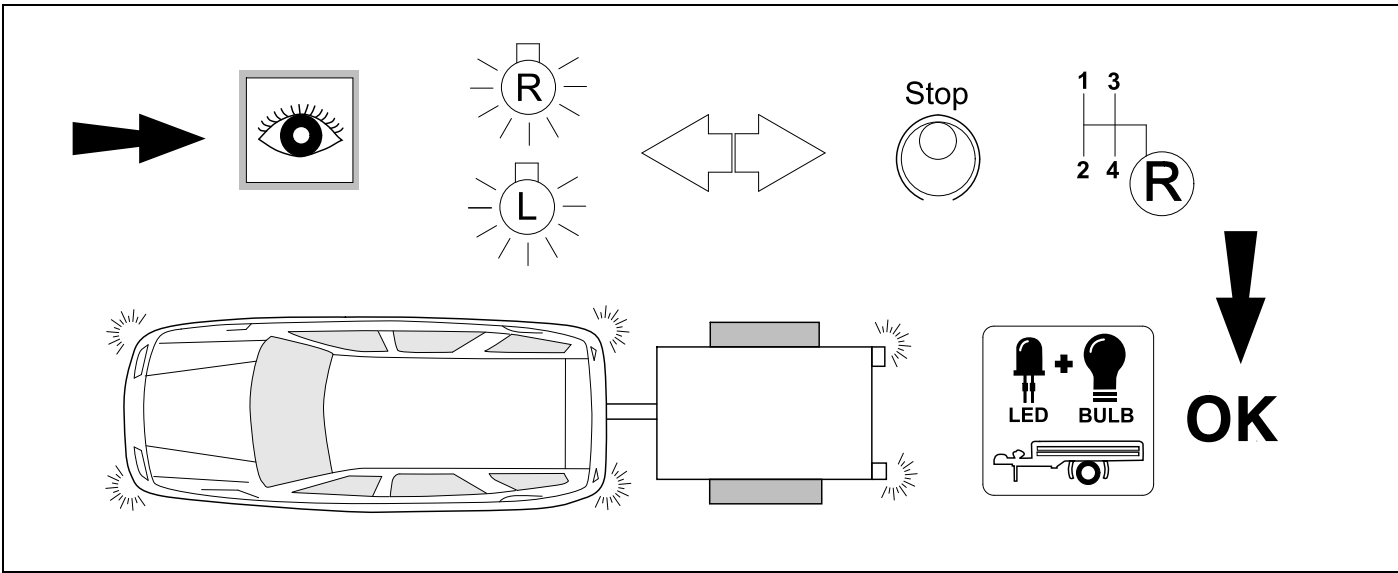
5

7

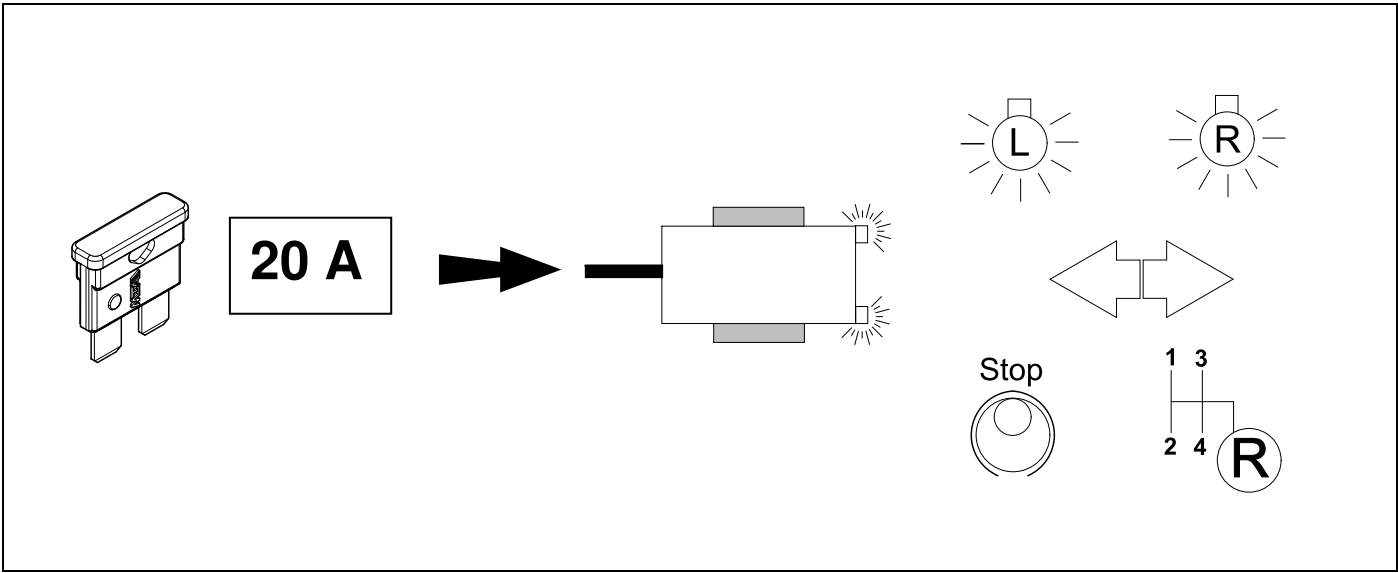
6



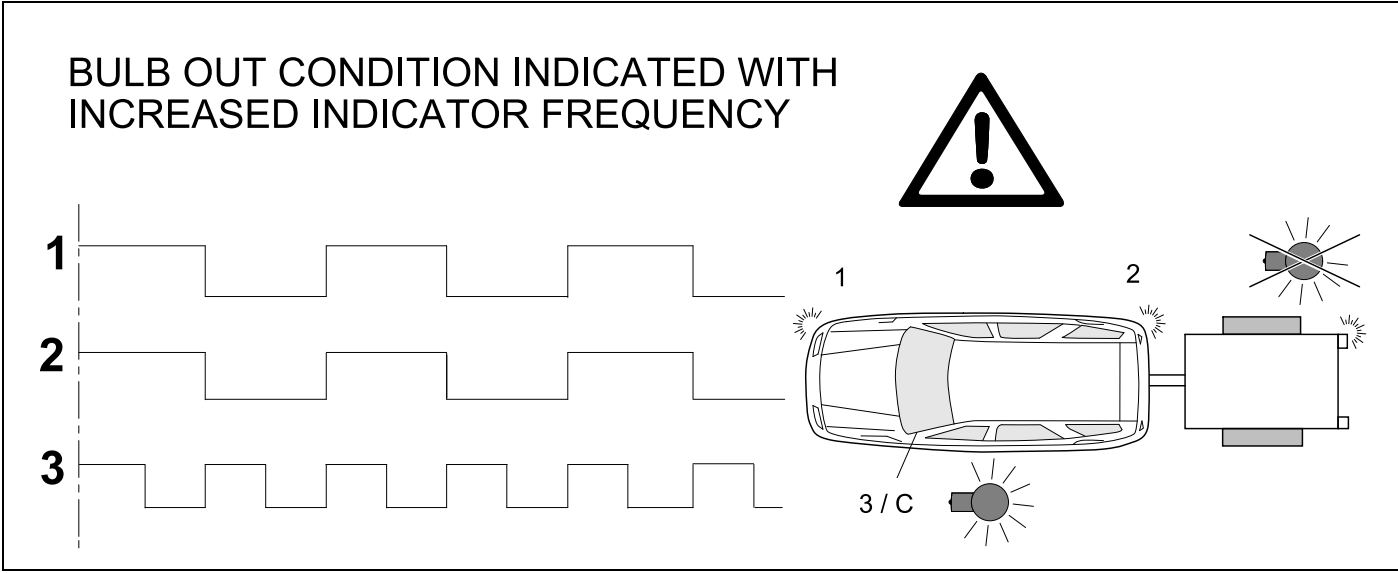
20 CHECK ALL LIGHTING FUNCTIONS



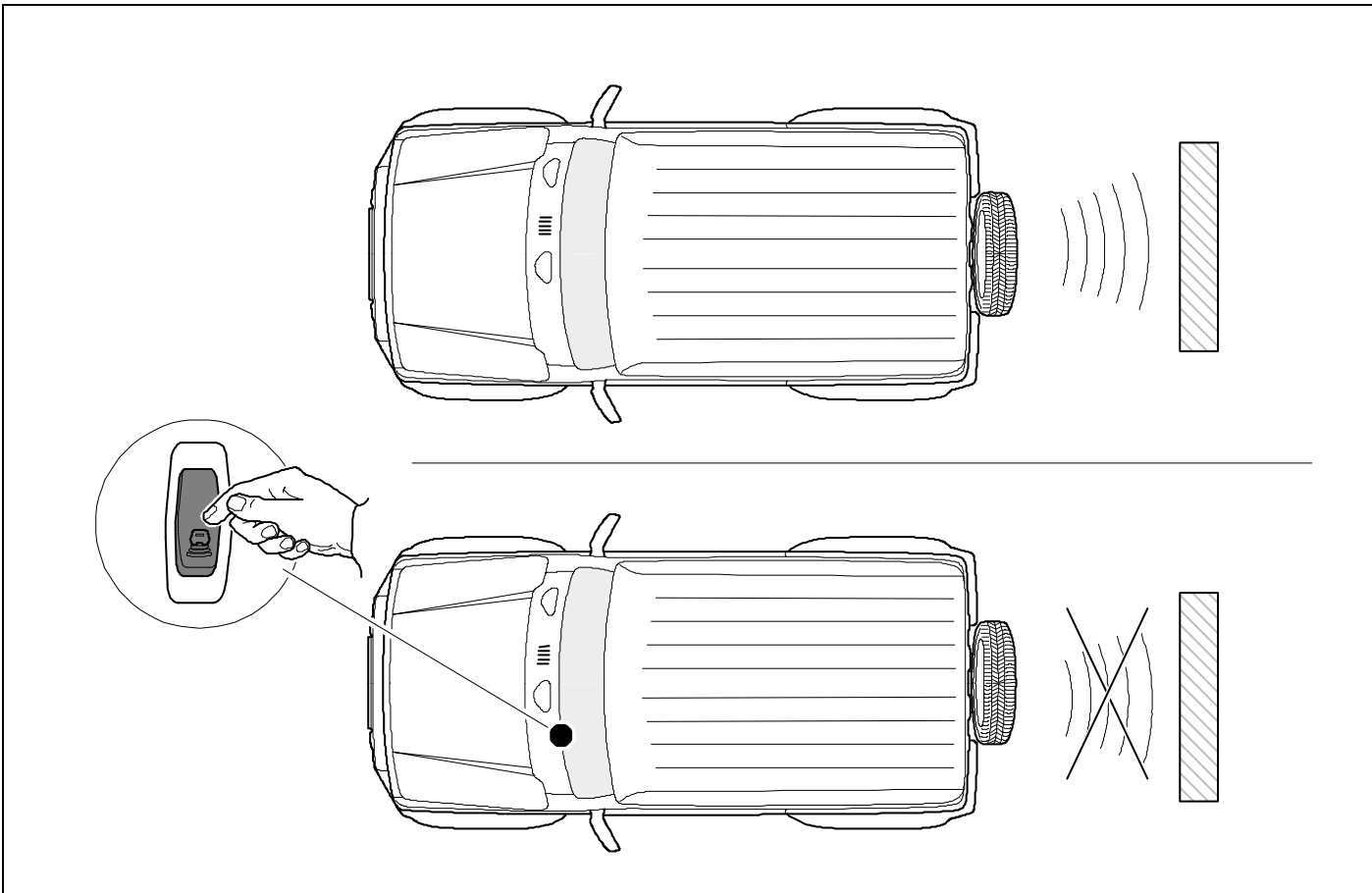
21  ⇒ **17**

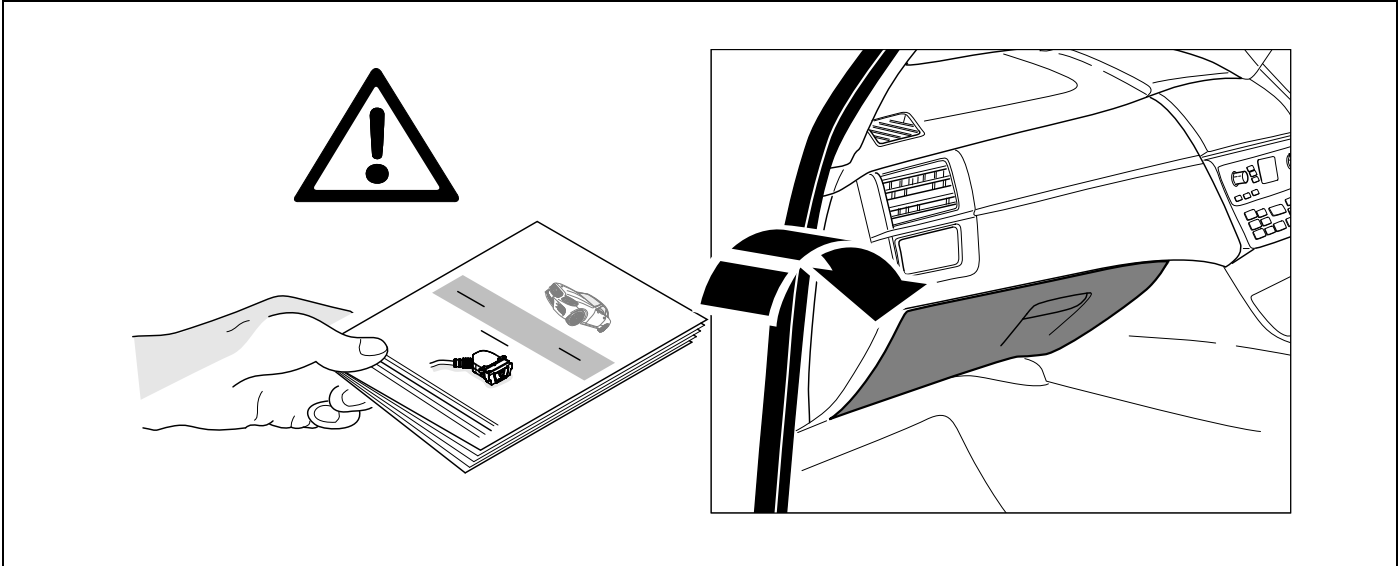


22 CHECK BULB OUT DETECTION



23 PDC INFORMATION





Subject to change in terms of construction, equipment and colour, and may contain errors.
The information and illustrations are non-binding.