

TRAILBOSS

Towbar Fitting Instructions
To Suit **VOLKSWAGEN JETTA 07/2011 ON**
Part Number **VW21L**
Rating **1400/75 kg**

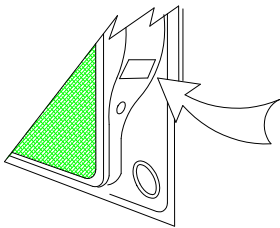
PLACE THESE INSTRUCTIONS IN THE VEHICLE'S GLOVEBOX AFTER INSTALLATION IS COMPLETE

WARNING:

1. Do not, drill, cut, weld or otherwise modify the tow bar.
2. If you are using electric welding on a motor vehicle, **always** check that the vehicle is not equipped with electronic engine or instrument management equipment. Failure to do so could **destroy** any onboard computers. If in doubt, check with the vehicle's manufacturer.
3. The high tensile fasteners supplied with this product were used to achieve the specified rating. If replacement is required ensure that fasteners of the same rating & quality are used. Contact an authorised **Trailboss** dealer if further information is required.

General:

1. Ensure all hardware items have been included refer to assembly diagram.
2. It is recommended that the instructions are read through and completely understood before making any attempt to fit this product.
3. Be wary of any changes to vehicle designs or other accessories that may conflict with the installation of this product.
4. Before drilling ensure that the area is clear of fuel, electrical & other components.
5. All holes drilled into the body panels shall have all burrs & swarf removed then coated with a suitable rust preventative paint.
6. For vehicles that require the bumper to be cut. Ensure cut out area is in correct position on the vehicle prior to cutting the bumper.
7. The high tensile fasteners supplied with this product were used to achieve the specified rating. If replacement is required ensure that fasteners of the same rating & quality are used. Contact an authorized **Trailboss** dealer if further information is required.
8. Ensure that all hardware is fastened to torque list below check fasteners on regular basis.
9. Tow bar load rating sticker provided with this product shall be conspicuously located on inside rear end of the driver's door. **(See diagram below)**.
10. Trailboss recommends that you check your tow ball to ensure that it complies with the Australian standards **AS 4177.2**.
11. **PLEASE NOTE:** It is advised to remove your lug or tbm when not actually towing so as to produce a clear view of the vehicles registration plate if obscured, and to also provide maximum available departure angle
12. Pull Pin must be fit in down position.



Place load rating sticker
inside driver's door here

FOR TRAILER TOWING PURPOSES ONLY
For towing capacity details please refer to vehicle owner's manual or to the manufacturer. Overloading can void your warranties.

RECOMMENDED ASSEMBLY TORQUE LISTING

| Diameter | Grade 8.8 Bolt |
|----------|----------------|
| M6 | 9.5 Nm |
| M8 | 21.7 Nm |
| M10 | 43.4 Nm |
| M12 | 77.3Nm |
| M14 | 146 Nm |
| M16 | 189.8 Nm |

Tow bar Maintenance and Care.

Trailboss recommends that bolt torque's, as listed below, are routinely and regularly inspected and checked for correct tension. Replace any worn or defective parts.

We recommended to remove Tow Ball Mounts (TBM's, tongues or lugs) when not being used for any considerable length of time.

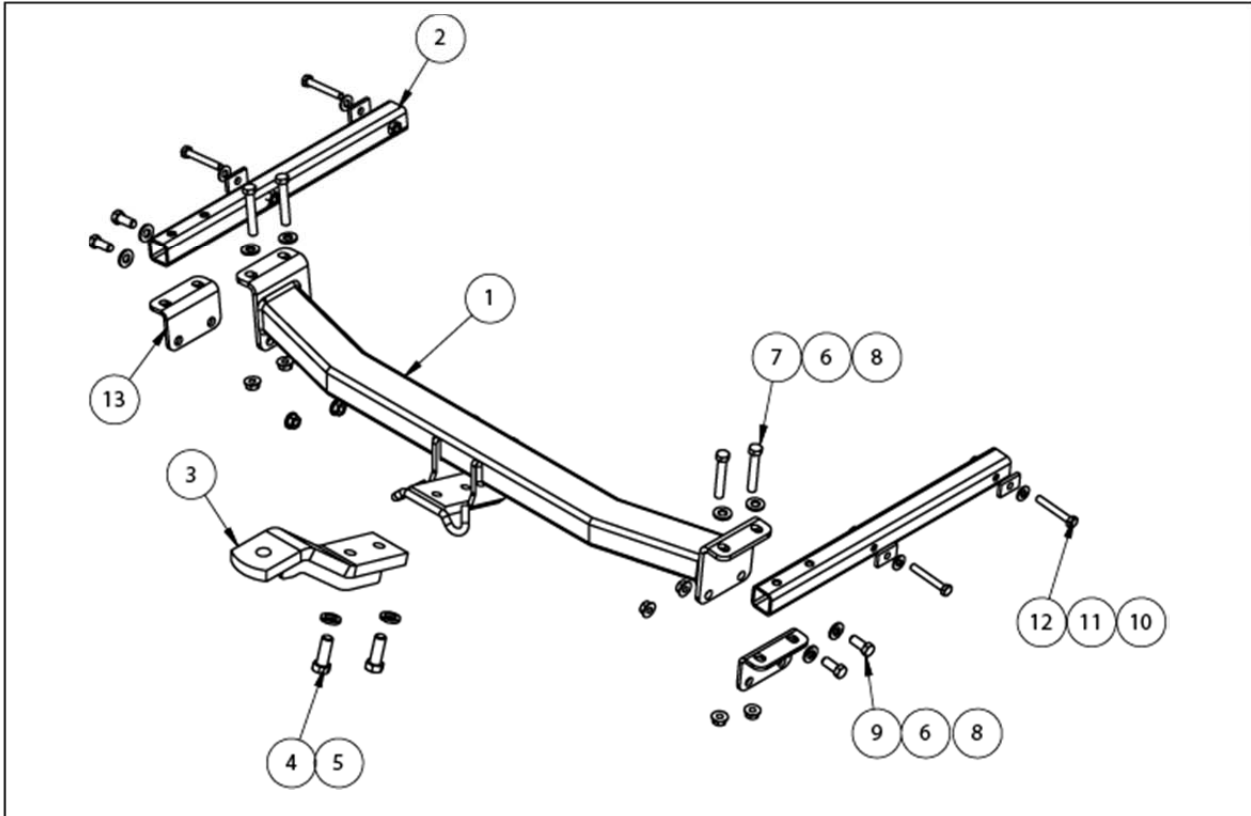
So as to avoid injury, when not towing it is suggested that the tongue, Pull Pin and R-clip are removed then stored in a safe, clean and dry place, away from excessive moisture.

Hitch Pull Pins and spring "R" clips are regularly checked for proper installation. Replace any worn or defective parts.

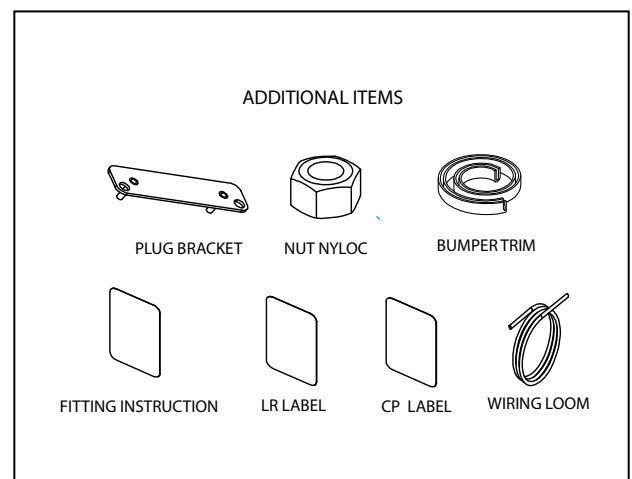
TRAILBOSS

Towbar Fitting Instructions
 To Suit **VOLKSWAGEN JETTA 07/2011 ON**
 Part Number **VW21L**
 Rating **1400/75 kg**

PLACE THESE INSTRUCTIONS IN THE VEHICLE'S GLOVEBOX AFTER INSTALLATION IS COMPLETE



| QTY | DESCRIPTION | ITEM NO |
|-----|------------------------------|---------|
| 1 | WELDED ASSEMBLY | 1 |
| 2 | WELDED TUBEMATIC ARM | 2 |
| 1 | LUG ASSEMBLY | 3 |
| 2 | M16x45 2.0P BOLT | 4 |
| 2 | M16x5x3.5 SPRING WASHER | 5 |
| 8 | WASHER FLAT 1/2"x11/8" x1/8" | 6 |
| 4 | M12x75 1.75P BOLT | 7 |
| 8 | M12x1.75P WHIZZ NUT | 8 |
| 4 | M12x30 BOLT 1.75P | 9 |
| 4 | LOOSE PLATE 40x25x6 | 10 |
| 4 | WASHER FLAT M10x23x2 Z/P | 11 |
| 4 | BOLT M10x70x1.5 | 12 |
| 2 | LOOSE SIDE MOUNT | 13 |



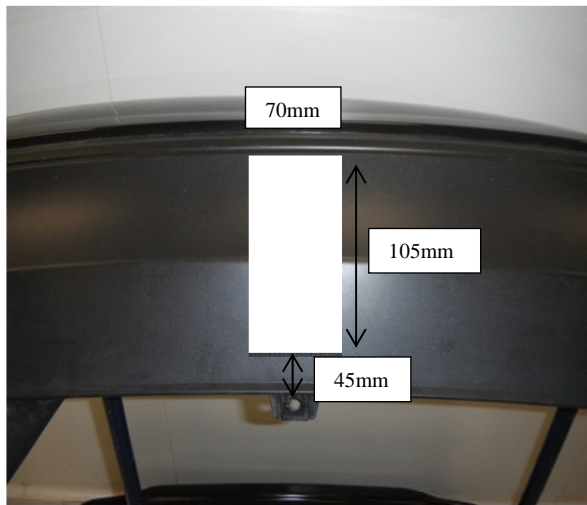
TRAILBOSS

Towbar Fitting Instructions
To Suit **VOLKSWAGEN JETTA 07/2011 ON**
Part Number **VW21L**
Rating **1400/75 kg**

PLACE THESE INSTRUCTIONS IN THE VEHICLE'S GLOVEBOX AFTER INSTALLATION IS COMPLETE

INSTRUCTION:

1. Remove 3 Screws from inside of Wheel Well for both the LH and RH Side .
2. Remove 2 Screws from Bumper Bar which located behind the Wheel Well lining for both the LH and RH side. Remove all Screws and Nuts from Bumper Bar located on the underside of vehicle.
3. Disconnect Rear Light Plug and remove light by fastening Screws located in the Rear Light Cavity in the boot. Then firmly pull on Rear Light to remove. Firmly pull on Bumper to release from Clips.
4. Remove Impact Beam from vehicle and discard all.
5. Created a Bumper Cut 70mm wide and 105mm high starting 45mm from bottom edge of Bumper and in centre of the Bumper Bar.
6. Install Towbar to vehicle and tighten all fasteners to torque specified on page 1.
7. Reinstall Bumper and all other parts in reverse order to disassembly.





Wiring Loom Fitting Instructions
To Suit Volkswagen Jetta Sedan MY12
Part Number 100867-WL

Wiring Loom Installation Instructions

Volkswagen Jetta Sedan MY12
Part No: 100867-WL

Tail Length Required: 1200mm

ECU Required Part No: 04826

Wiring Loom Installation Time: Approx 30 Mins



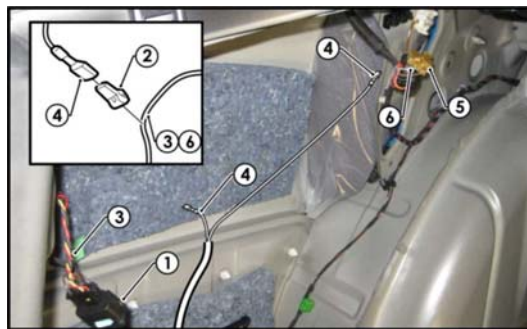
Wiring Loom Fitting Instructions
To Suit Volkswagen Jetta Sedan MY12
Part Number 100867-WL

1. From outside the vehicle, remove the LHS & RHS tail lights.
2. In the luggage compartment, remove the floor cover carpet.
3. Fold the rear seats forward.
4. Remove the RHS cargo net.
5. Remove the rear trim by first removing the two clips.
6. Remove the LHS side luggage compartment trim by first removing any fasteners or clips.
7. Dislodge the RHS side luggage compartment trim by first removing any fasteners or clips.
8. If present, disconnect the 12v accessory connector.
9. Disconnect the RHS luggage compartment light connector.
10. Inside the vehicle cabin, remove the RHS dashboard trim.
11. Remove the RHS kick panel and the RHS front scuff plate.
12. Remove the RHS rear scuff plate.
13. On the RHS of the luggage compartment, remove the blanking grommet and drill the hole out to Ø30mm.

Note: If grommet is occupied, drill a Ø30mm hole next to the existing vehicle grommet.

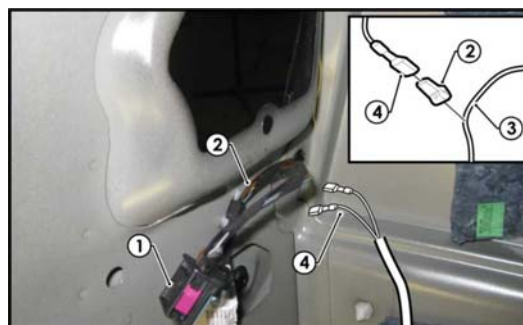
Wiring Loom Fitting Instructions To Suit Volkswagen Jetta Sedan MY12 Part Number 100867-WL

14. Locate the LHS tail light connector (1).
15. Following the table below, connect the ezy tap (2) to the vehicle 'BLACK/WHITE' left indicator wire (3), then connect the trailer harness (P/No: 100867-WL) terminal (4) to the ezy taps (2).
16. Locate the yellow 5-way connector (5).
17. Following the table below, connect the ezy tap (2) to the vehicle 'BLUE/BLACK' reverse wire (6) and then connect the trailer harness terminal (4) to the ezy tap (2).



| Function | Trailer Patch | Vehicle Connector |
|----------|---------------|-------------------|
| L.IND | YELLOW/BLACK | BLACK / WHITE |
| REVERSE | BLACK/WHITE | BLUE / BLACK |

18. Route the trailer harness from the LHS, along the rear of the luggage compartment and towards the RHS.
19. Locate the RHS tail light connector (1).
20. Following the table below, connect the ezy taps (2) to the vehicle connector wires (3), and then connect the trailer harness terminals (4) to the ezy taps (2).



| Function | Trailer Patch | Vehicle Connector |
|----------|---------------|-------------------|
| R.IND | GREEN / BLACK | BLACK / GREEN |
| TAIL | BROWN / BLACK | GREY / RED |
| BRAKES | RED / BLACK | BLACK / PURPLE |

Wiring Loom Fitting Instructions To Suit Volkswagen Jetta Sedan MY12 Part Number 100867-WL

21. Route the trailer harness 'ORANGE' power wire along the RHS of the luggage compartment and towards the front of the vehicle.

Note: The RHS rear seat outer cushion may have to be dislodged in order to route the power wire.

22. Route the trailer harness 'ORANGE' power wire along the RHS rear scuff plate towards the front of the vehicle.

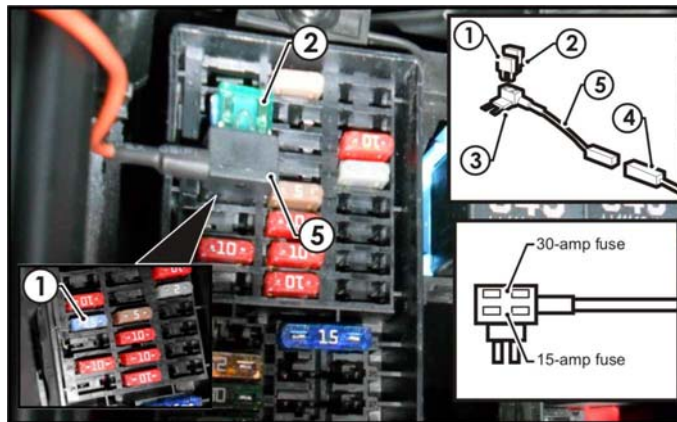
23. Continue to route the trailer harness 'ORANGE' power wire along the RHS front scuff plate and up towards the fuse panel.

24. Locate and remove the 15-amp fuse (1) (fuse location 21).

25. Insert the supplied 30-amp fuse (2) into the upper slot of the add-a-fuse (3) and the previously removed 15-amp fuse (1) into the lower slot of the add-a-fuse (3).

26. Plug the add-a-fuse (3) into the now vacant fuse slot on the fuse panel.

27. Connect the 'ORANGE' power wire 1-way connector (4) into the add-a-fuse harness (5) mating connector.



28. Connect the trailer harness 12-way connector to the ECU (04826).

29. Apply double sided tape to the ECU and adhere it to the vehicle sheet metal on the RHS of the luggage compartment in a suitable location

30. Connect the trailer harness ground ring terminal to the vehicle grounding point.



Wiring Loom Fitting Instructions
To Suit Volkswagen Jetta Sedan MY12
Part Number 100867-WL

31. Mount the trailer socket to the towbar mounting bracket using M4 fasteners (not supplied).
32. Route the tail harness across the towbar, towards the RHS of the vehicle and up through the previously drilled out hole.
33. Ensure the tail harness grommet is seated correctly and secure in place using a cable tie (not supplied).
34. Connect the tail harness (tail length 1800mm) 8-way connector to the trailer harness mating 8-way connector.
35. Test the Trailer socket using a light board or multi-meter.
36. Secure all harnesses using cables ties (not supplied).
37. Re-fit all removed parts and secure all fasteners.
38. Place instructions in glove box after fitment.